

FAR NORTH DISTRICT COUNCIL, PRIVATE BAG 752, KAIKOHE 0440

To occupy the coastal marine area at or about location co-ordinates 1634970E 6067630N at Omapere, to the extent shown as Occupation Area on the attached Northland Regional Council Plan No. 4096 as follows:

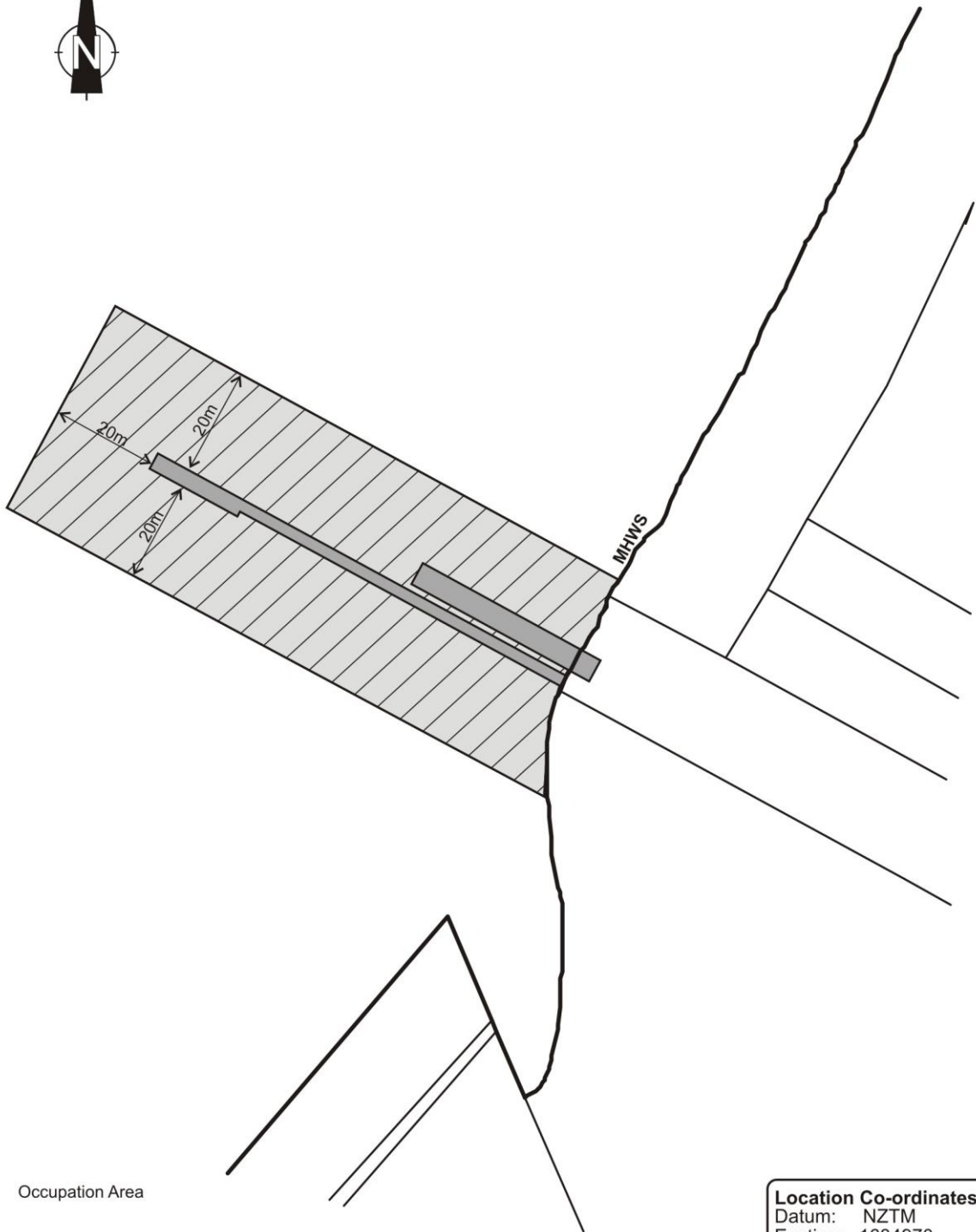
Pursuant to Section 108 of the Act, this consent is issued subject to the following conditions:

- 1 The Consent Holder shall not unreasonably exclude the public from the Occupation Area for the purpose of public access to and along the coastal marine area. Notwithstanding the generality of this, the Occupation Area shall be available for public access, free of charge, at all times, other than times when it is necessary to limit public access for reasons of safety or where facility or vessel operations are such that it is necessary to limit public access.
- 2 Nothing in this consent shall act to exclude, diminish or supersede any other consented activity, existing at the date of commencement of this consent, within the area of occupation.
- 3 The Consent Holder shall keep the coastal marine area free of debris resulting directly or indirectly from the Consent Holder's activities, including, but not limited to its occupation of the area.
- 4 These conditions may be reviewed by the Regional Council annually, during the month of March, where there is a need to deal with those matters referred to in Section 128 of the Resource Management Act 1991. The Consent Holder shall meet the reasonable costs of any such review.

EXPIRY DATE: 28 FEBRUARY 2027

ISSUED at Whangarei this Thirtieth Day of August 2007

**DL Roke
Consents Manager**



Occupation Area

Location Co-ordinates:
Datum: NZTM
Easting: 1634970
Northing: 6067630



RESOURCE CONSENT CON20050536302
for
Far North District Council
Occupation Area
Omapere

Scale: N.T.S.
Drawn: CNA 02/07
App'd:
Plan No.

4096