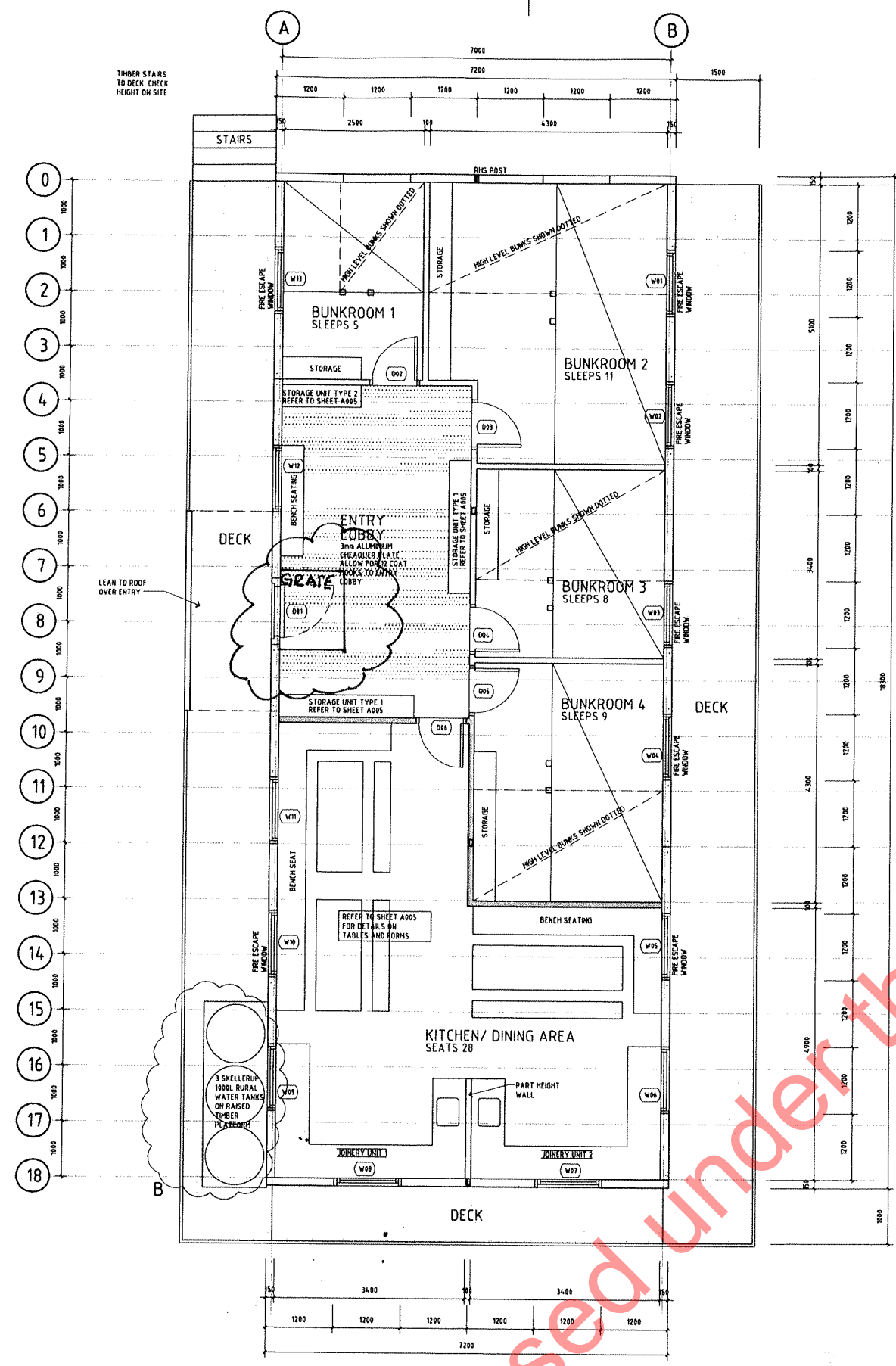
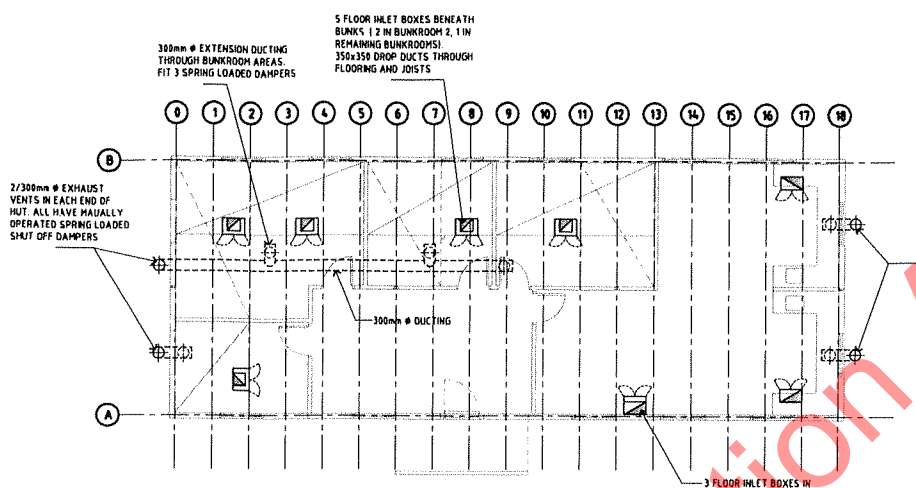


ORIGINAL SIZE A1

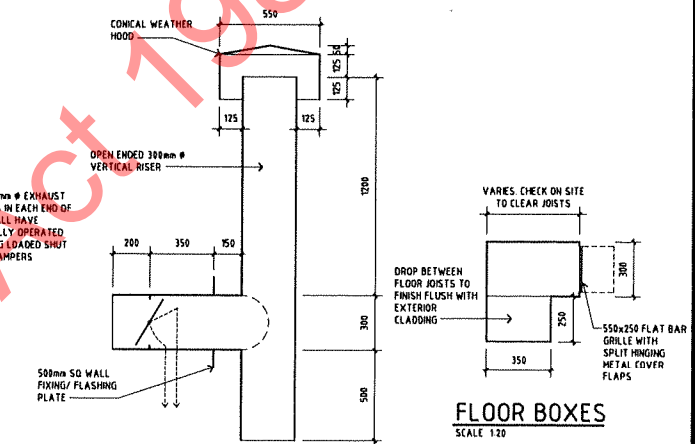


PROPOSED PLAN
SCALE 1:50



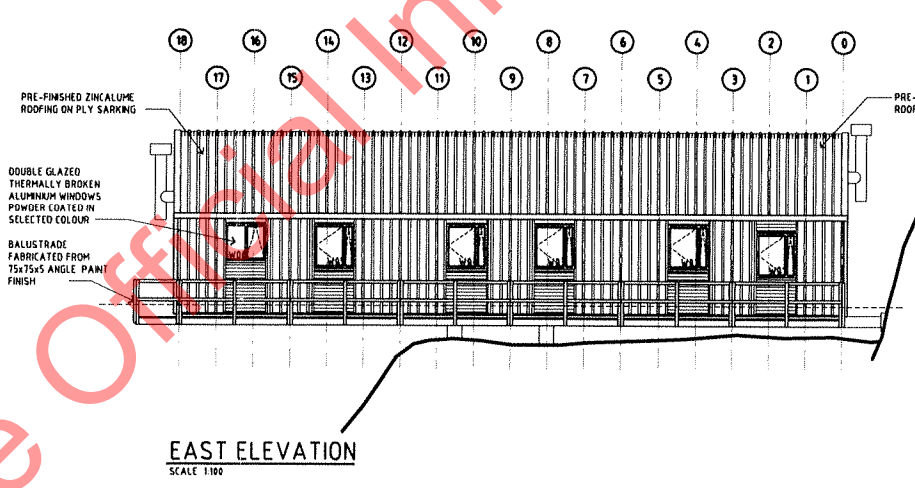
PROPOSED VENTILATION PLAN
SCALE 1:100

NOTE:
FLOOR BOXES AND EXHAUST VENTS SUPPLIED EX FACTORY. CATCHES FOR GRILLE SHUTTERS, DROP CHAINS AND WALL HOOKS FOR SPRING LOADED DAMPERS ALL SUPPLIED BY MAIN CONTRACTOR.
DUCTING SUPPORTS AND INSTALLATION BY MAIN CONTRACTOR.
ALL ITEMS EX FACTORY GALVANISED IRON CONSTRUCTION SPOT PRIMED WHERE NECESSARY BUT GENERALLY IN UNPAINTED CONDITION.

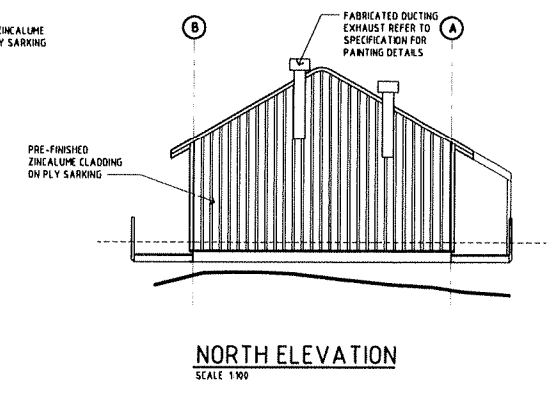


WALL OUTLET COWLS
SCALE 1:20

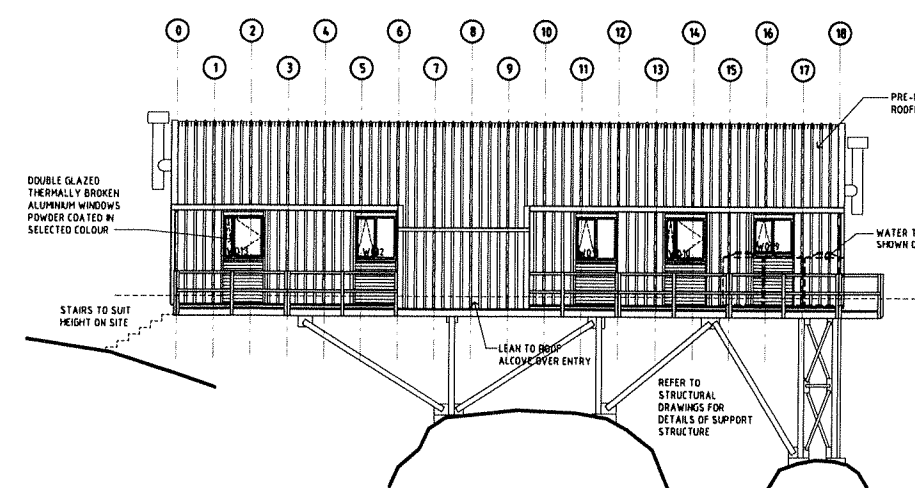
FLOOR BOXES
SCALE 1:20



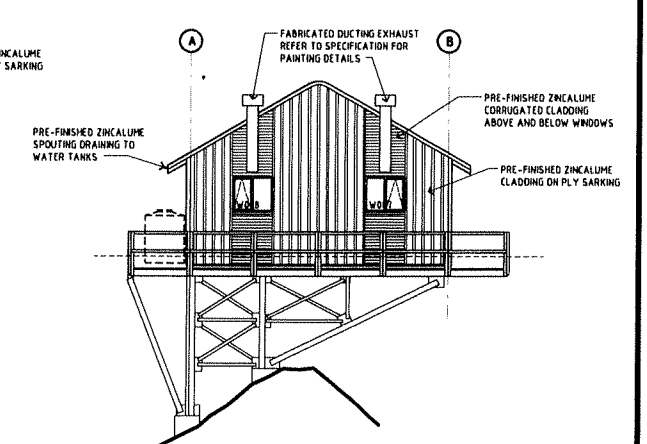
EAST ELEVATION
SCALE 1:100



NORTH ELEVATION
SCALE 1:100



WEST ELEVATION
SCALE 1:100



SOUTH ELEVATION
SCALE 1:100

REV	ISSUED FOR CONSTRUCTION	DATE	INITIAL
B	ISSUED FOR CONSTRUCTION	03.10.03	PT
	AMENDMENTS		

COPYRIGHT © Warburton Team Architecture Ltd. and Montgomery Watson New Zealand Ltd.			
XREFS			
Name	Date		
SURVEYED			
DESIGNED	WTA	APRIL 2003	
DRAWN	PT	JUNE 2003	
CHECKED			
APPROVED			

WARBURTON
TEAM ARCHITECTURE

Warburton Team Architecture Ltd
30 London Street, Dunedin
PO Box 8153, Dunedin
Telephone 03 474 9825
Facsimile 03 478 3211
Email warburton@tra.co.nz

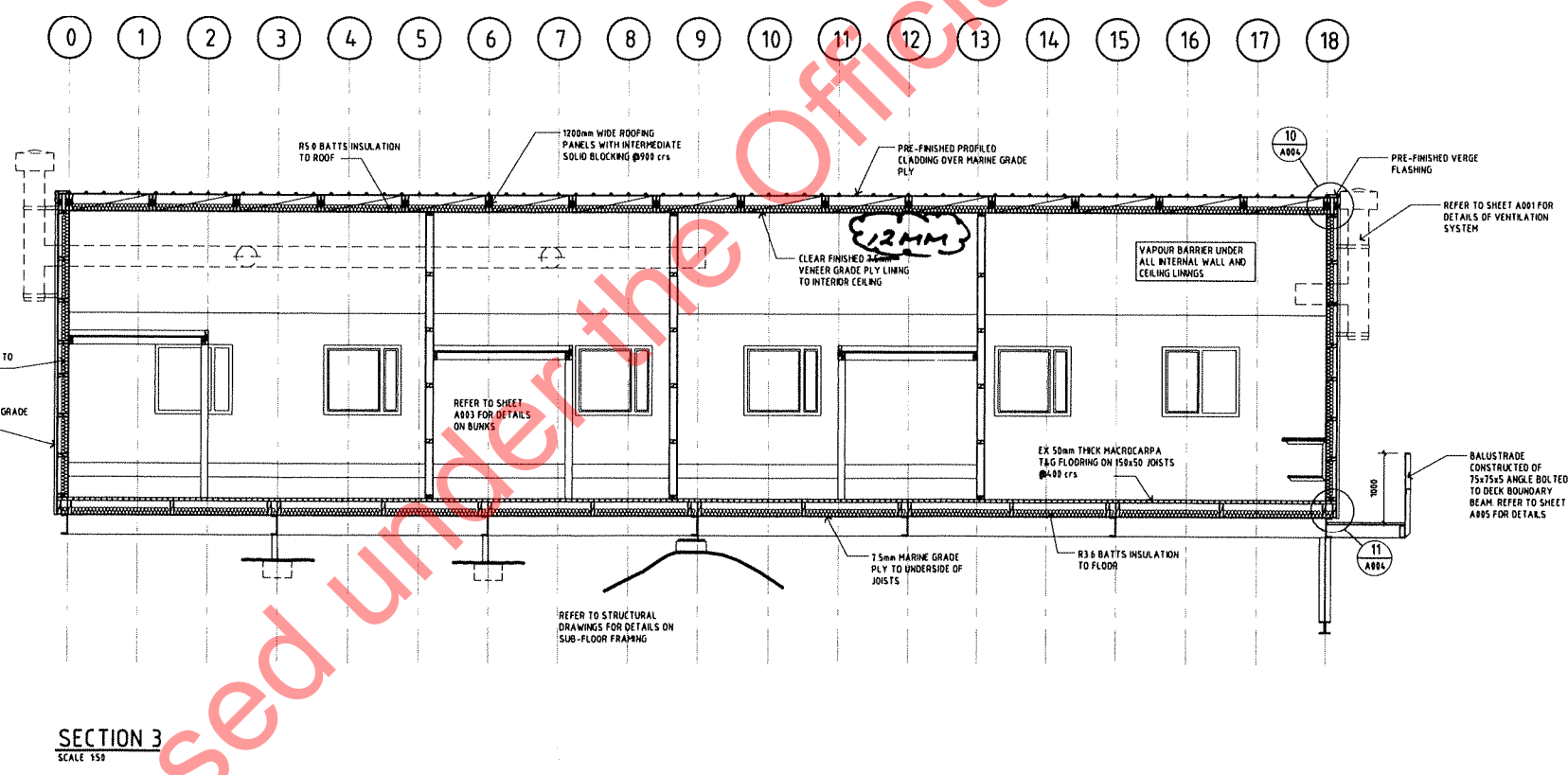
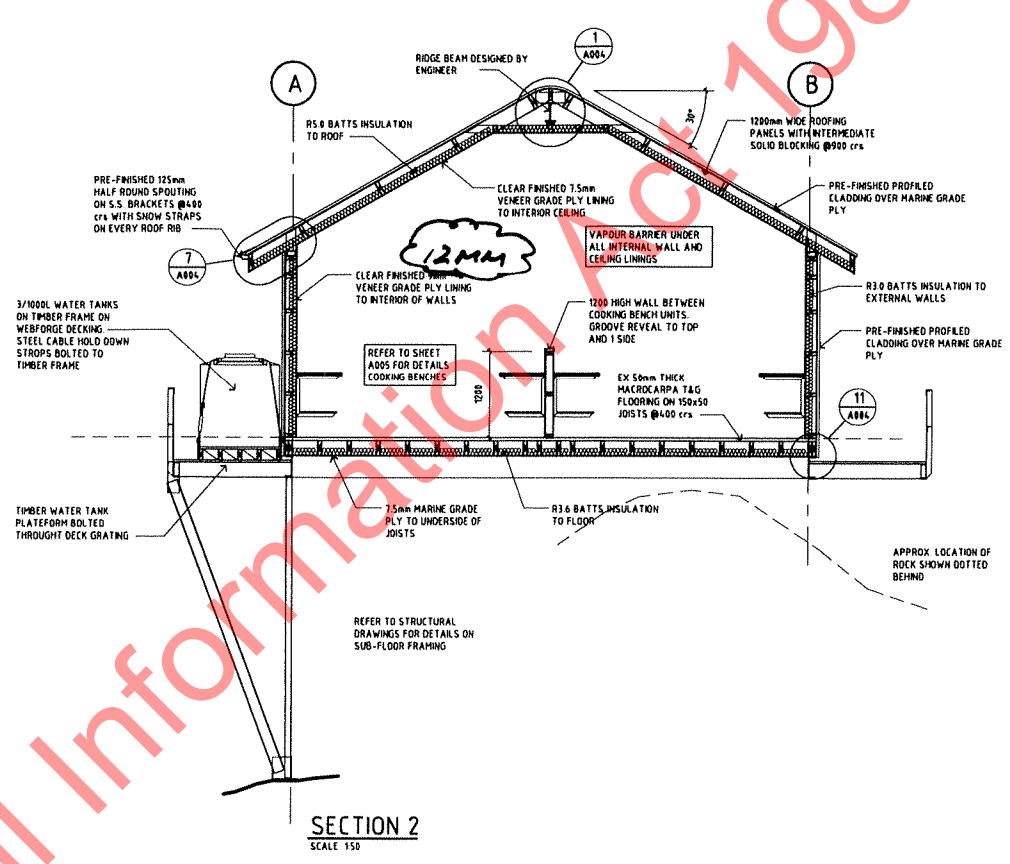
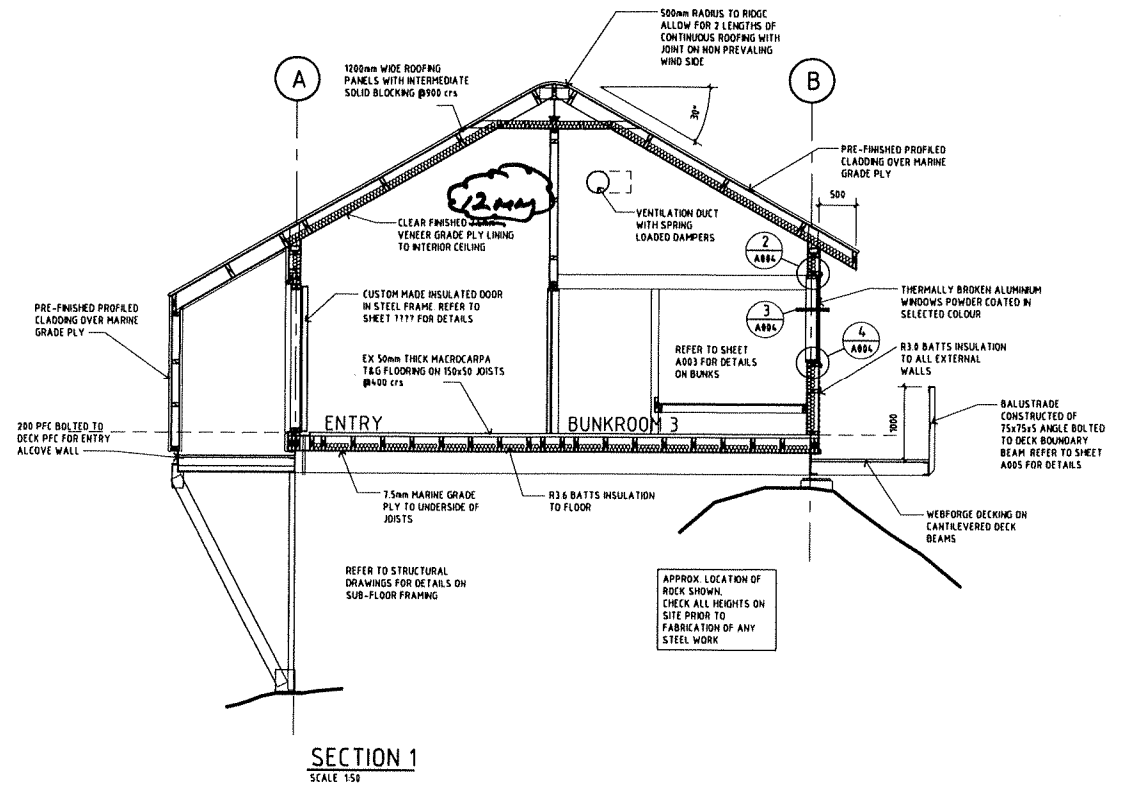
MWH
MONTGOMERY WATSON HARZA

PLATEAU HUT REPLACEMENT, MOUNT COOK
DEPARTMENT OF CONSERVATION
PROPOSED PLAN AND ELEVATIONS

Status Stamp	AS BUILT
Date Stamp	19.09.05
SCALES:	1:50, 1:100
CAD REF:	Z/2003/0316/0316A001
Job No	0316
Sheet No	A001
Rev	B

ORIGINAL SIZE A1

DO NOT SCALE - IF IN DOUBT, ASK



REV	ISSUED FOR CONSTRUCTION	AMENDMENTS	DATE	PT	INITIAL
B	ISSUED FOR CONSTRUCTION		08.10.03	PT	

COPYRIGHT © Warburton Team Architecture Ltd and Montgomery Watson New Zealand Ltd		
XREFS:		
SURVEYED	Name	Date
DESIGNED	WTA	APRIL 2003
DRAWN	PT	JUNE 2003
CHECKED		
APPROVED	<i>PT</i>	

WARBURTON TEAM ARCHITECTURE

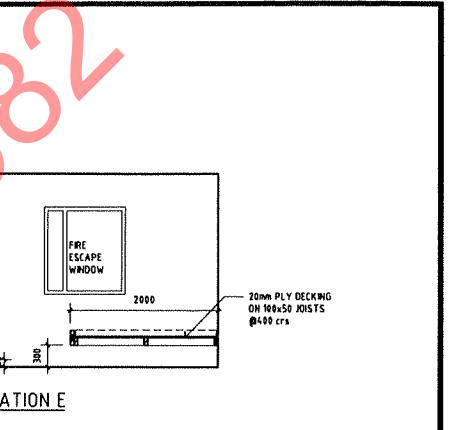
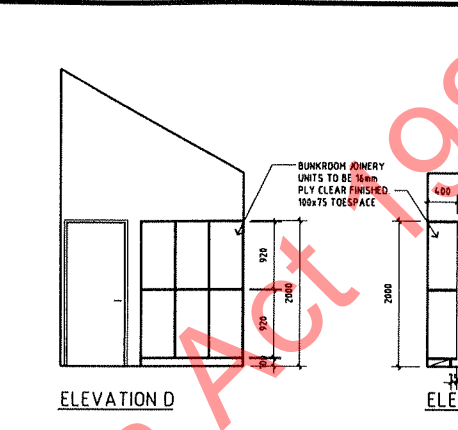
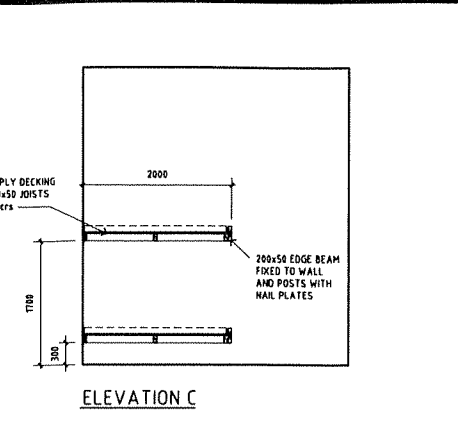
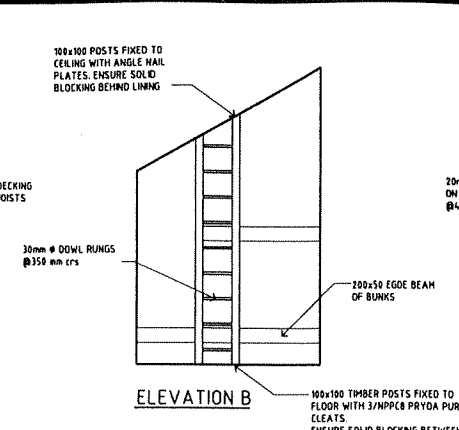
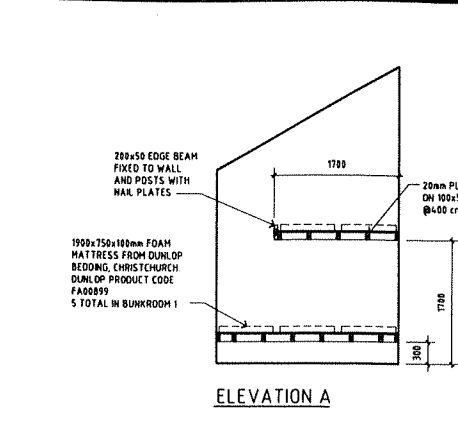
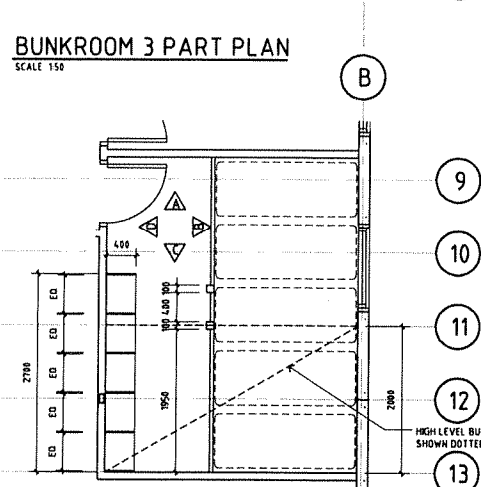
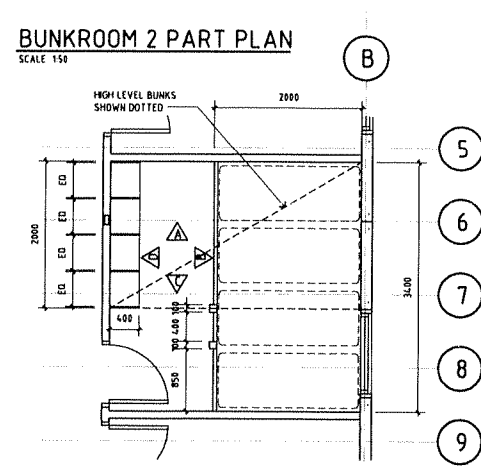
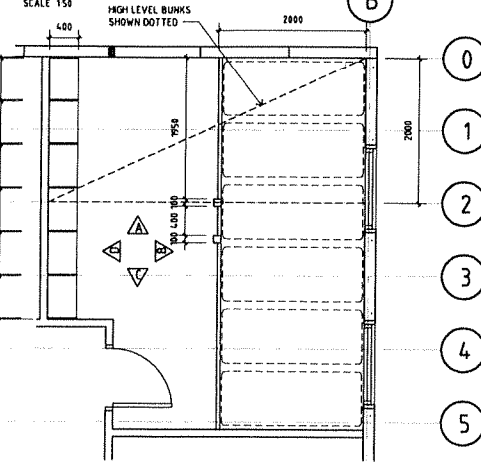
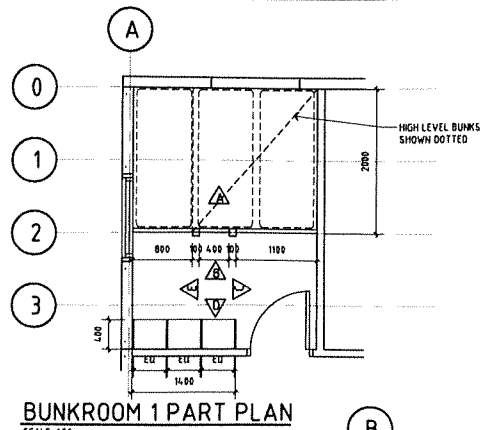
Warburton Team Architecture Ltd
30 London Street, Dunedin
PO Box 8193, Dunedin
Telephone 03 474 1023,
Facsimile 03 478 2311
Email warburth@tra.co.nz

MWH
MONTGOMERY WATSON HARZA

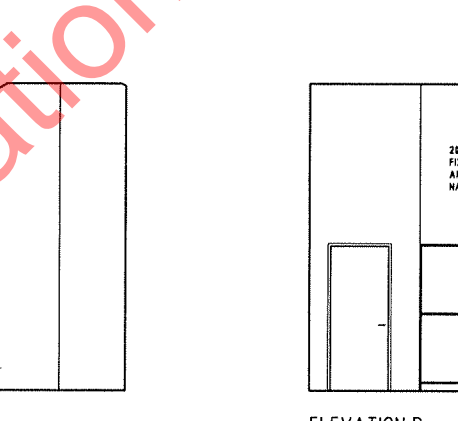
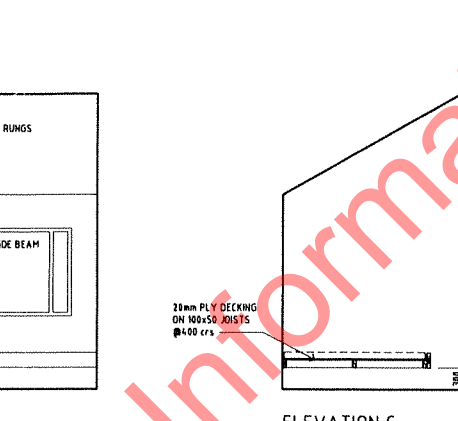
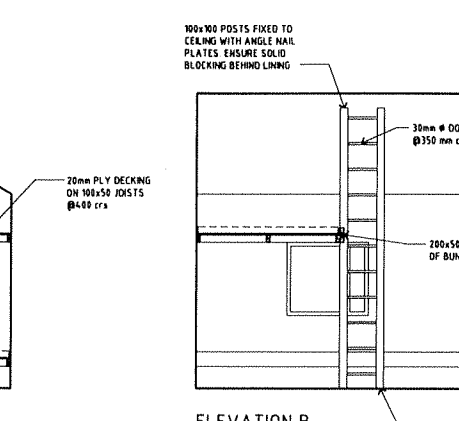
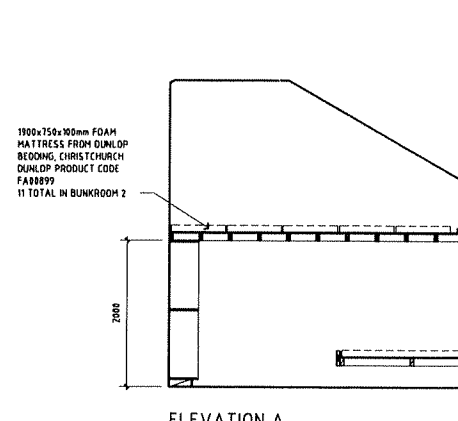
PLATEAU HUT REPLACEMENT, MOUNT COOK
DEPARTMENT OF CONSERVATION

SECTIONS

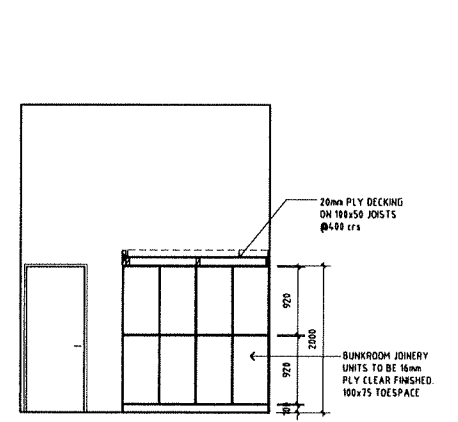
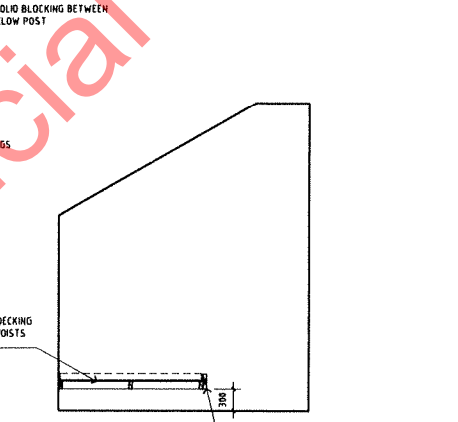
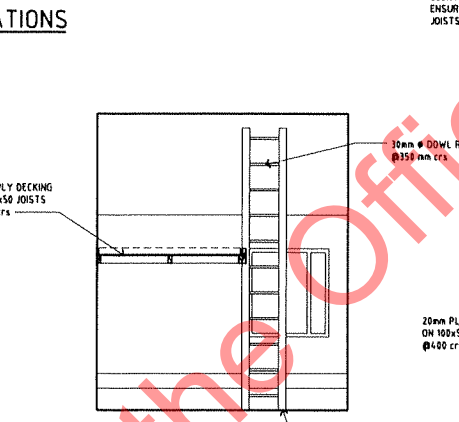
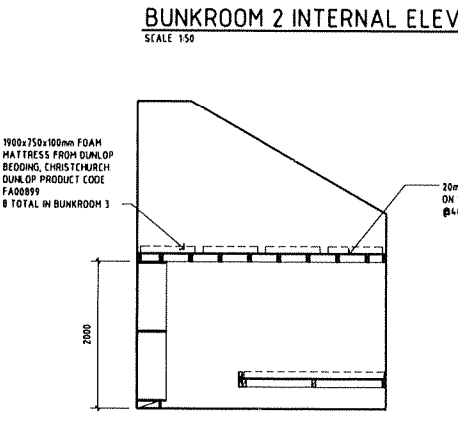
Status Stamp	AS BUILT
Date Stamp	19.09.05
SCALES	150
CAD REF	Z/2003/0316/0316A001
Job No	0316
Sheet No	A002
Rev	B



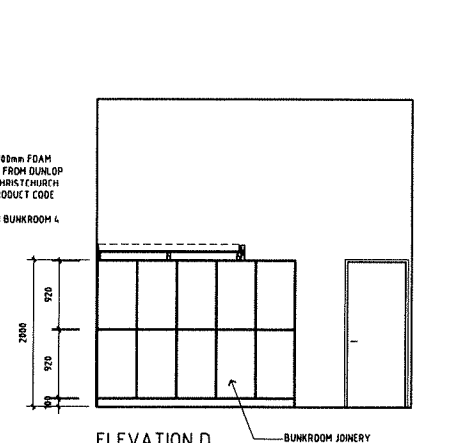
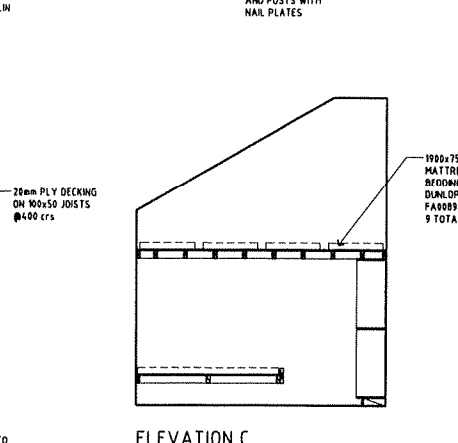
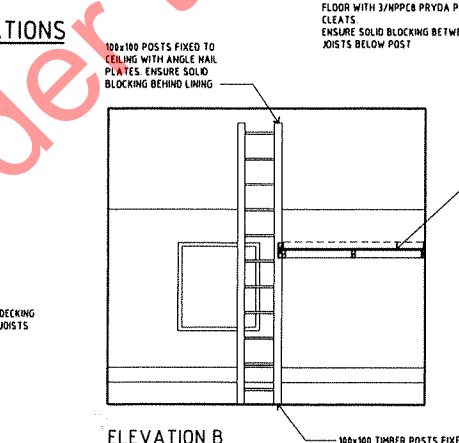
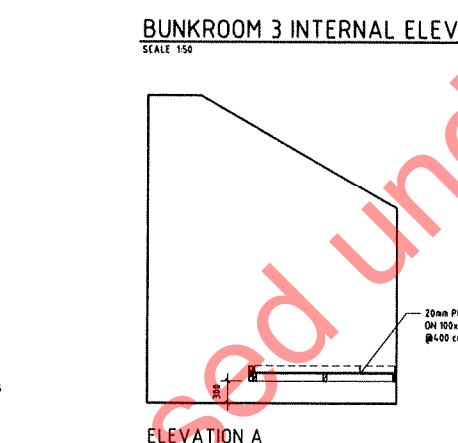
BUNKROOM 1 INTERNAL ELEVATIONS SCALE 1:50



BUNKROOM 2 INTERNAL ELEVATIONS SCALE 1:50



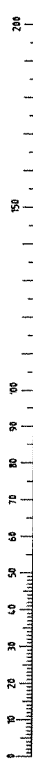
BUNKROOM 3 INTERNAL ELEVATIONS SCALE 1:50



BUNKROOM 4 INTERNAL ELEVATIONS SCALE 1:50

ORIGINAL SIZE A1

DO NOT SCALE - IF IN DOUBT, ASK



DATE INITIAL

REV	ISSUED FOR CONSTRUCTION	AMENDMENTS	DATE	INITIAL
B	ISSUED FOR CONSTRUCTION		08.10.03	PT

COPYRIGHT © Warburton Team Architecture Ltd and Montgomery Watson New Zealand Ltd	
XREFS:	
SURVEYED	Name Date
DESIGNED	WTA APRIL 2003
DRAWN	PT JUNE 2003
CHECKED	
APPROVED	<i>PT</i>

WARBURTON
TEAM ARCHITECTURE

Warburton Team Architecture Ltd
40 London Street, Dunedin
PO Box 8133, Dunedin
Telephone 03 474 1818,
Facsimile 03 479 3311
Email warburton@vtac.co.nz

MWH
MONTGOMERY WATSON HARZA

PLATEAU HUT REPLACEMENT, MOUNT COOK
DEPARTMENT OF CONSERVATION

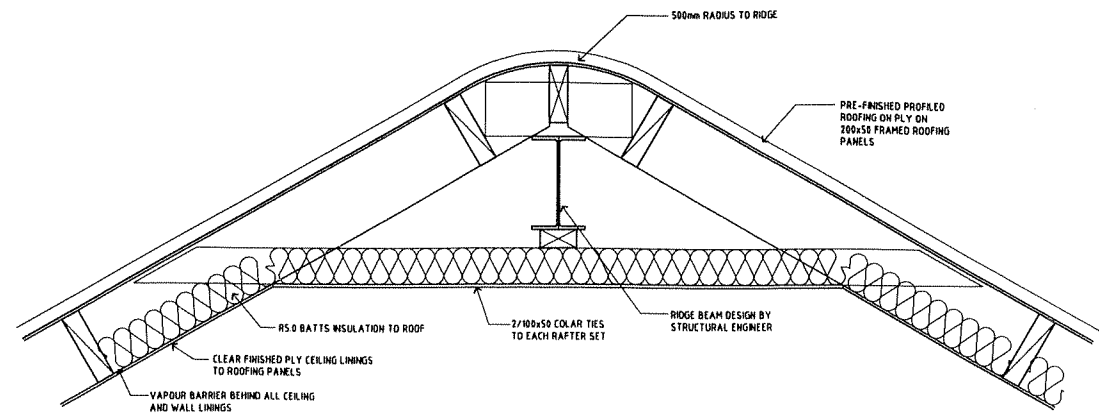
BUNKROOM INTERNAL ELEVATIONS

Status Stamp	AS BUILT
Date Stamp	19.09.05
SCALES	1:50
CAD REF	Z:/2003/0316/0316A001
Job No.	0316
Sheet No.	A003
Rev	B

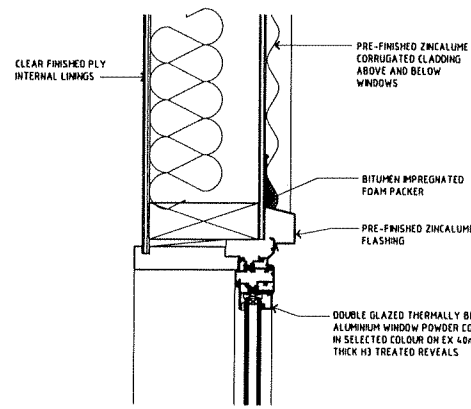
DO NOT SCALE - IF IN DOUBT, ASK

200
150
100
50
0

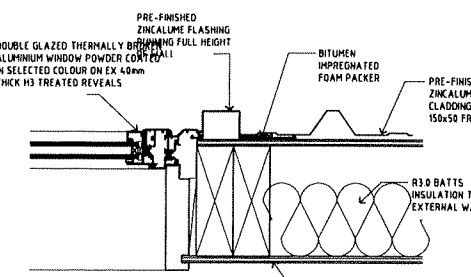
ORIGINAL SIZE A1



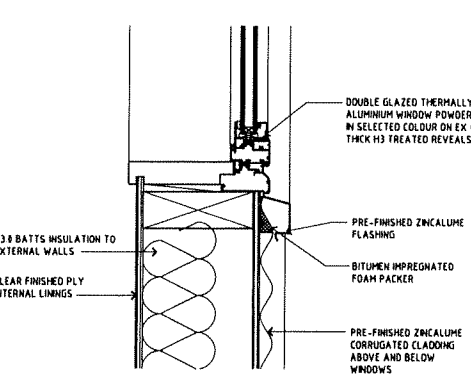
1 DETAIL
A002 TYPICAL RIDGE DETAIL
1/10



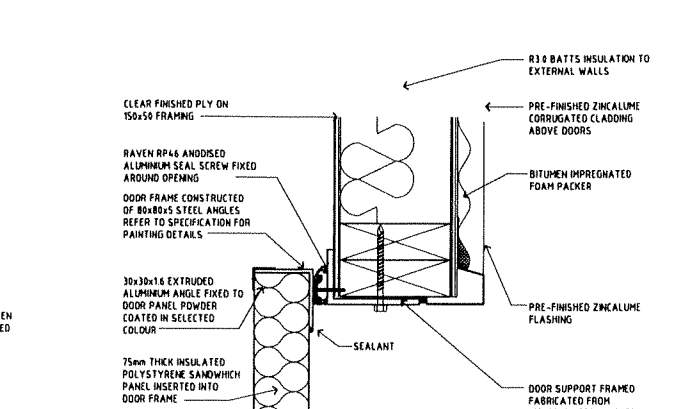
2 DETAIL
A002 TYPICAL WINDOW HEAD
1/5



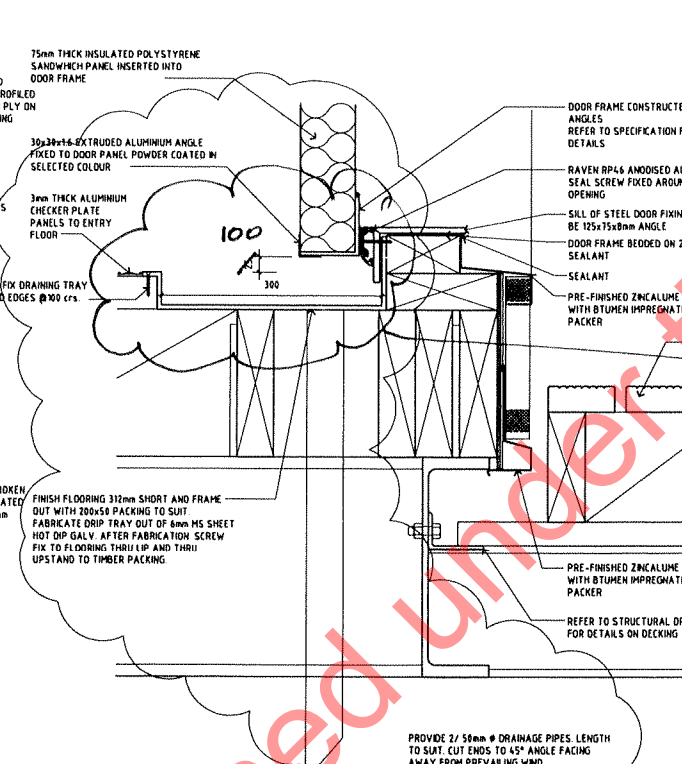
3 DETAIL
A002 TYPICAL WINDOW JAMB
1/5



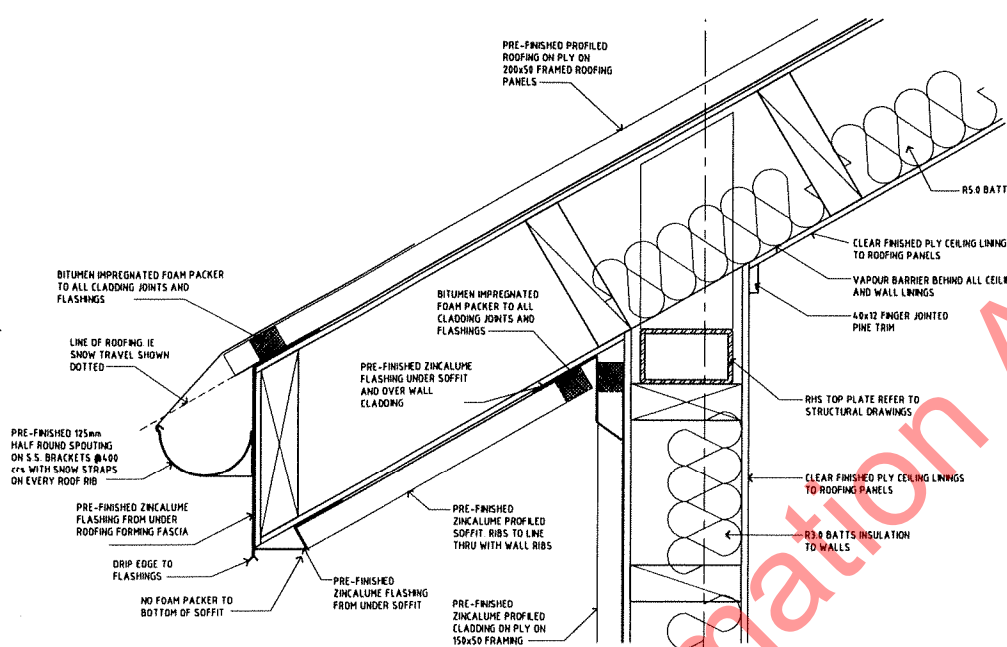
4 DETAIL
A002 TYPICAL WINDOW SILL
1/5



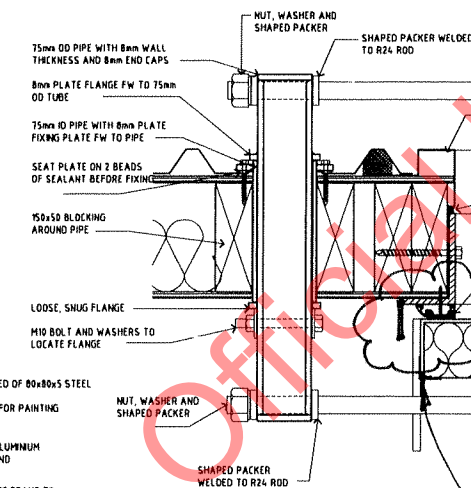
5 DETAIL
A002 ENTRY DOOR HEAD
1/5



6 DETAIL
A002 ENTRY DOOR SILL
1/5



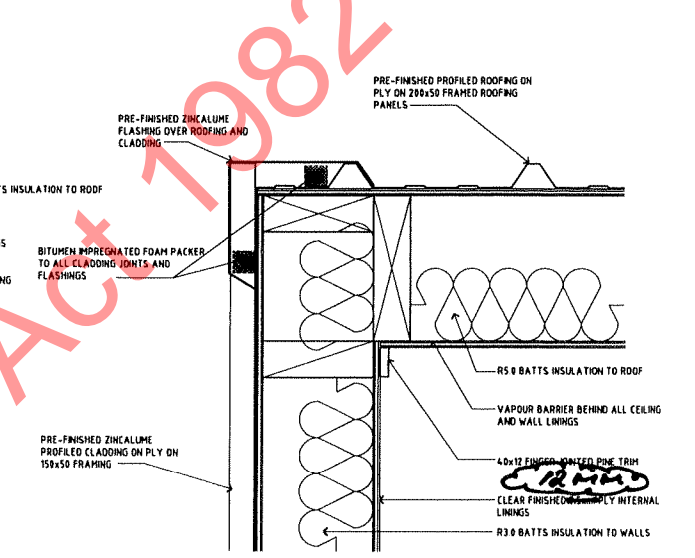
7 DETAIL
A002 TYPICAL EAVES DETAIL
1/5



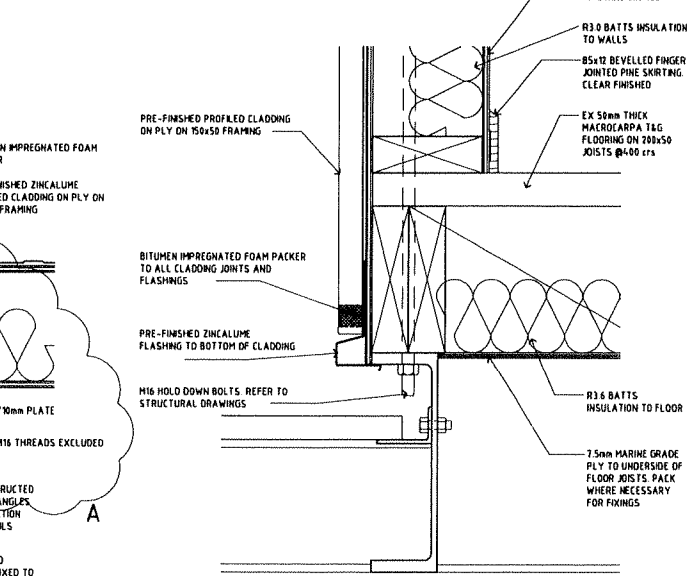
8 DETAIL
A002 ENTRY DOOR JAMB
1/5

RAVEN SEAL DELETED,
SEAL & DRIP TRAY
ADDED (CAR BOOT SEAL)

GRATE EXTENDED TO
FULL DOOR SWING



10 DETAIL
A002 TYPICAL VERGE DETAIL
1/5



11 DETAIL
A002 WALL/FLOOR JUNCTION DETAIL
1/5

COPYRIGHT © Warburton Team Architecture Ltd and Montgomery Watson New Zealand Ltd	
XREFS:	
SURVEYED	Name
DESIGNED	WTA
DRAWN	PT
CHECKED	
APPROVED	PT
REV	DATE
B	08.10.03
A	07.08.03
REV	DATE

WARBURTON
TEAM ARCHITECTURE

Warburton Team Architecture Ltd
30 London Street, Dunedin
PO Box 8133, Dunedin
Telephone 03 478 1825
Facsimile 03 478 2311
Email warburton@ta.co.nz

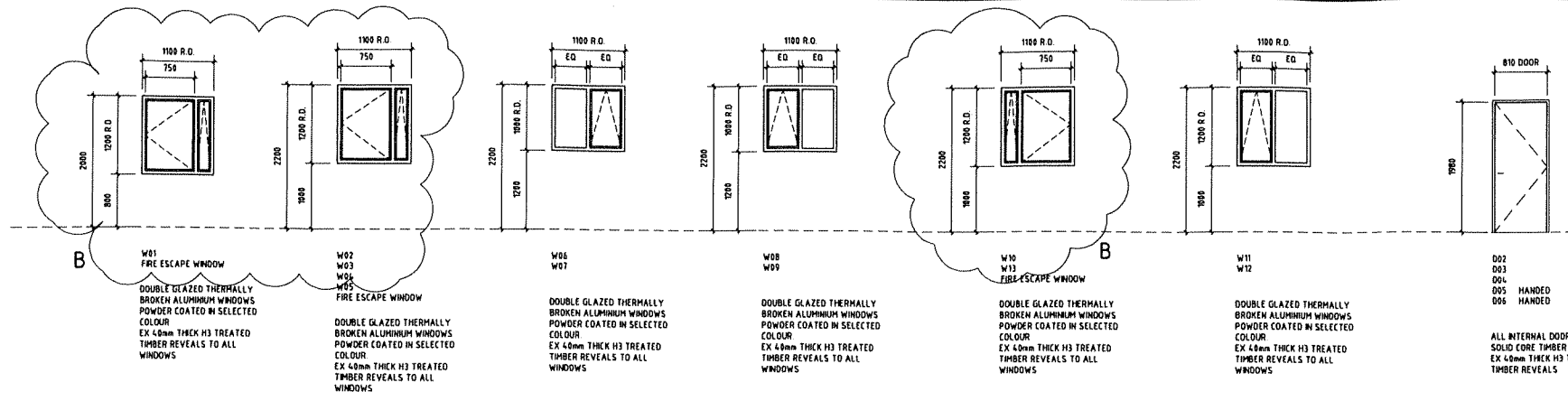
MWH
MONTGOMERY WATSON HARZA

PLATEAU HUT REPLACEMENT, MOUNT COOK
DEPARTMENT OF CONSERVATION
DETAILS

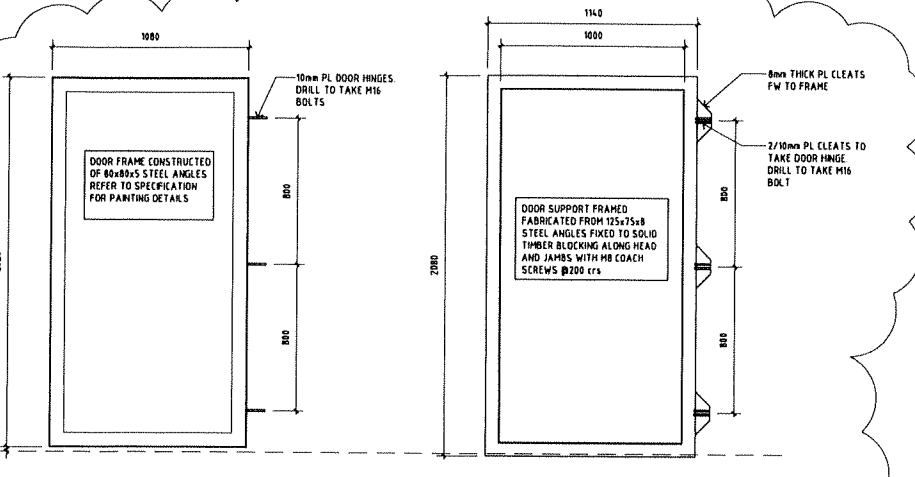
Status Stamp	AS BUILT
Date Stamp	19.09.05
SCALES	1:5
CAD REF	Z/2003/0316/0316A001
Job No.	0316
Sheet No.	A004
Rev.	B

DO NOT SCALE - IF IN DOUBT, ASK

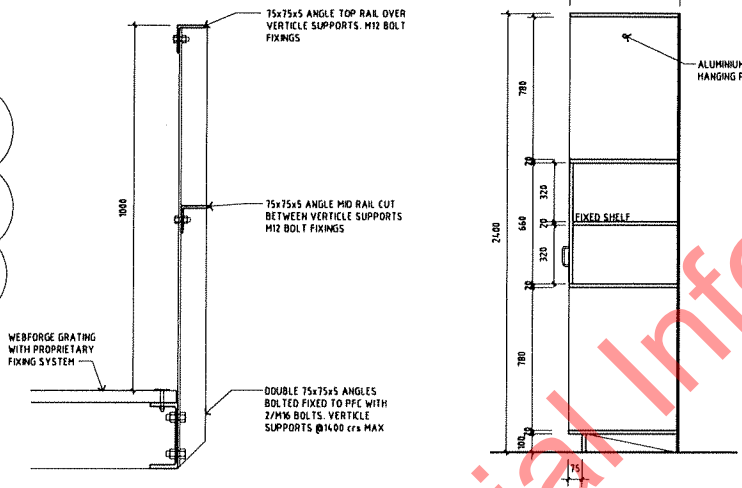
ORIGINAL SIZE A1



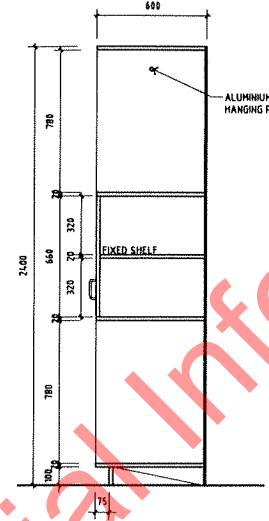
WINDOW AND DOOR SCHEDULE
SCALE 1:50



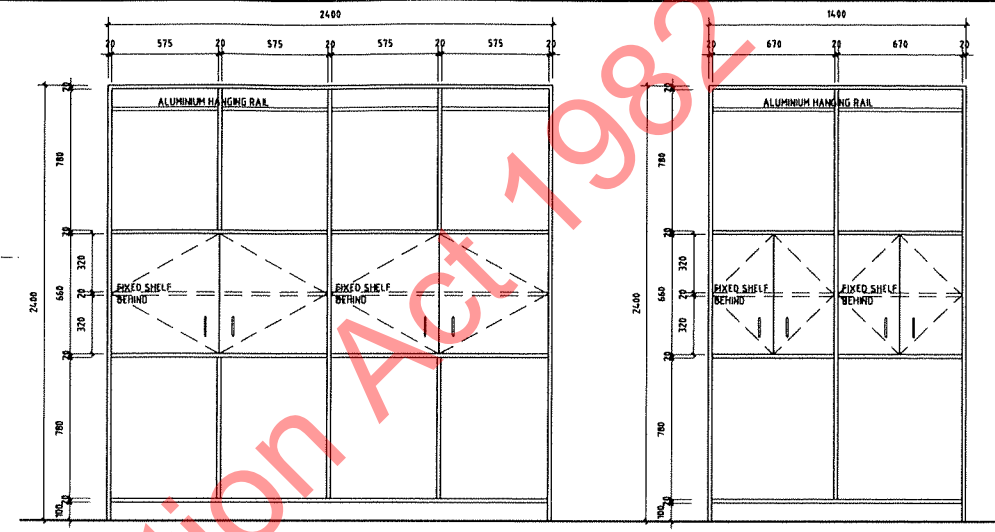
ENTRY DOOR AND FRAME ELEVATIONS
SCALE 1:20



DECK BALUSTRADE DETAIL
SCALE 1:10



STORGAE UNIT
TYPICAL SECTION
SCALE 1:20



STORGAE UNIT TYPE 1
FRONT ELEVATION
SCALE 1:20
2 OF, REFER TO PLAN FOR LOCATION

STORGAE UNIT TYPE 2
FRONT ELEVATION
SCALE 1:20

JOINERY NOTES

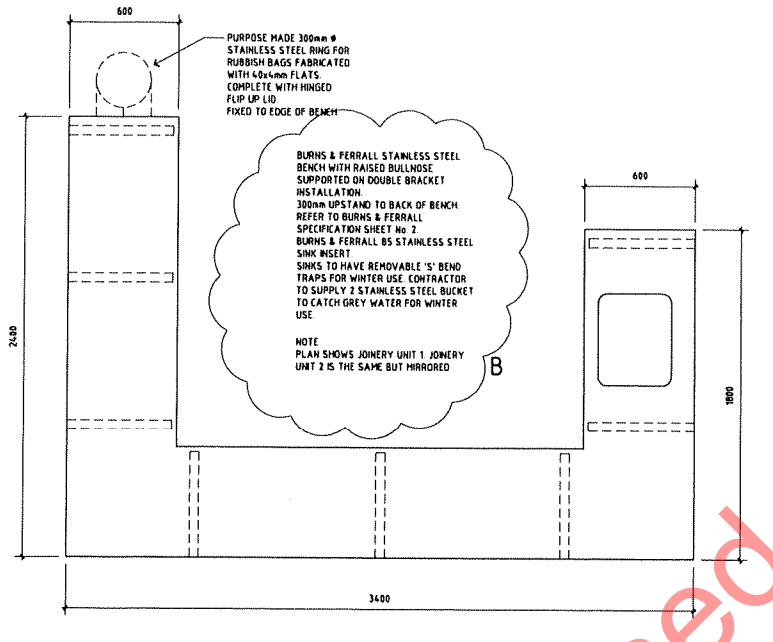
ALL PANELS, SHELVES, HAFFITS AND DOORS TO BE 20mm PLY WITH CLEAR FINISH. BACK PANEL TO BE 9mm PLY WITH CLEAR FINISH

EACH PAIR OF DOORS TO HAVE BRASS ELBOW CATCHES HAFELE PRODUCT No. 245.74.000 FITTED TOP AND BOTTOM OF THE LEFT LEAF.

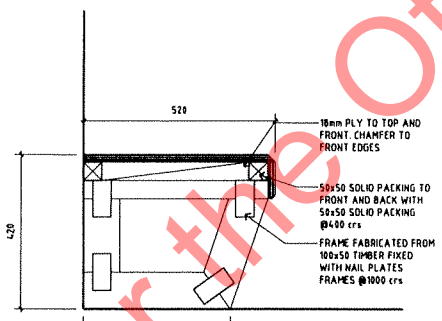
EACH PAIR OF DOORS TO HAVE STAINLESS STEEL HASP AND STAPLE, DRAKE AND WRIGLEY PRODUCT No. 14.60

HINGES
GRASS CONCEALED SNAP-ON HINGES, SELF-CLOSING 110° OPENING 1 PAIR EACH DOOR (2 PAIR TO ALL DOORS OF 900mm HIGH & OVER)

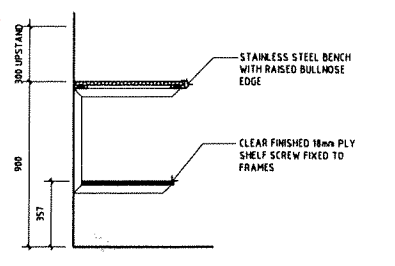
HANDLES
STAINLESS STEEL 'P' HANDLE SCOTT PANEL AND HARDWARE PRODUCT No. 7631179



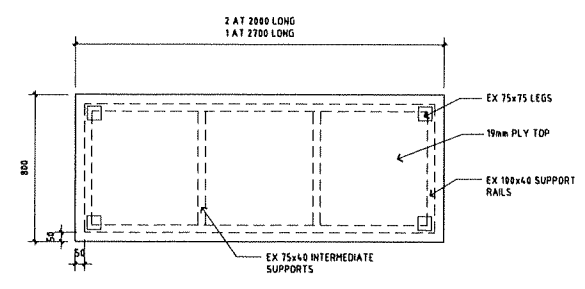
COOKING AREA BENCH PLAN
SCALE 1:20



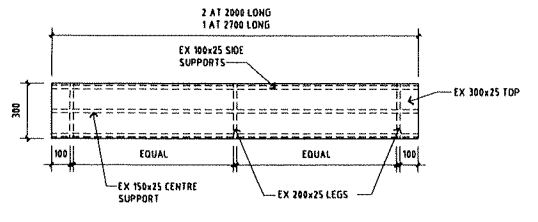
SECTION THRU BENCH SEATING
SCALE 1:10



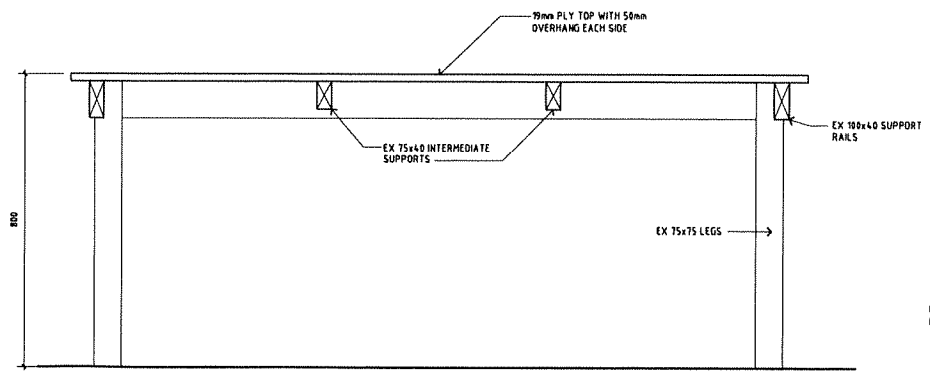
SECTION THRU COOKING BENCH
SCALE 1:10



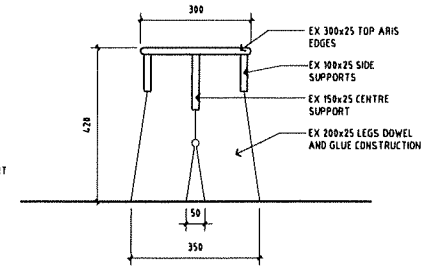
DINING TABLE PLAN
SCALE 1:20



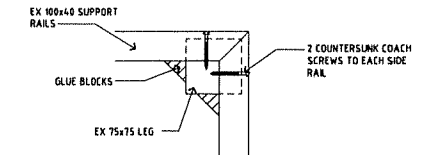
DINING FORM PLAN
SCALE 1:20



DINING TABLE SECTION
SCALE 1:10



DINING FORM SECTION
SCALE 1:10



DINING TABLE LEG FIXING
SCALE 1:5

COPYRIGHT © Warburton Team Architecture Ltd and Montgomery Watson New Zealand Ltd	
XREFS:	
SURVEYED	Name
DESIGNED	Date
DRAWN	
CHECKED	
APPROVED	
REV	DATE INITIAL
B	08.10.03 P1
A	07.08.03 P1
AMENDMENTS	

WARBURTON TEAM ARCHITECTURE

Warburton Team Architecture Ltd
30 Linden Street, Dunedin
PO Box 9328, Dunedin
Telephone 03 474 9825,
Facsimile 03 479 2311
Email warbert@tra.co.nz

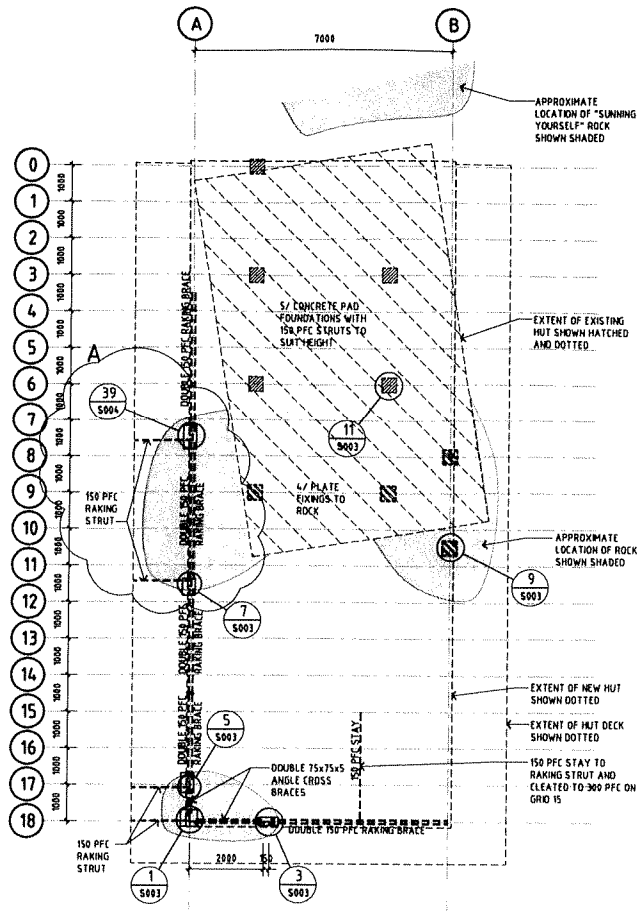
MWH
MONTGOMERY WATSON HARZA

PLATEAU HUT REPLACEMENT, MOUNT COOK
DEPARTMENT OF CONSERVATION

WINDOW & DOOR SCHEDULE, MISC JOINERY

Status Stamp	AS BUILT
Date Stamp	19.09.05
SCALES	AS SHOWN
CAD REF	Z/2003/0316/0316A001
Job No	0316
Sheet No	A005
Rev	B

DO NOT SCALE - IF IN DOUBT, ASK

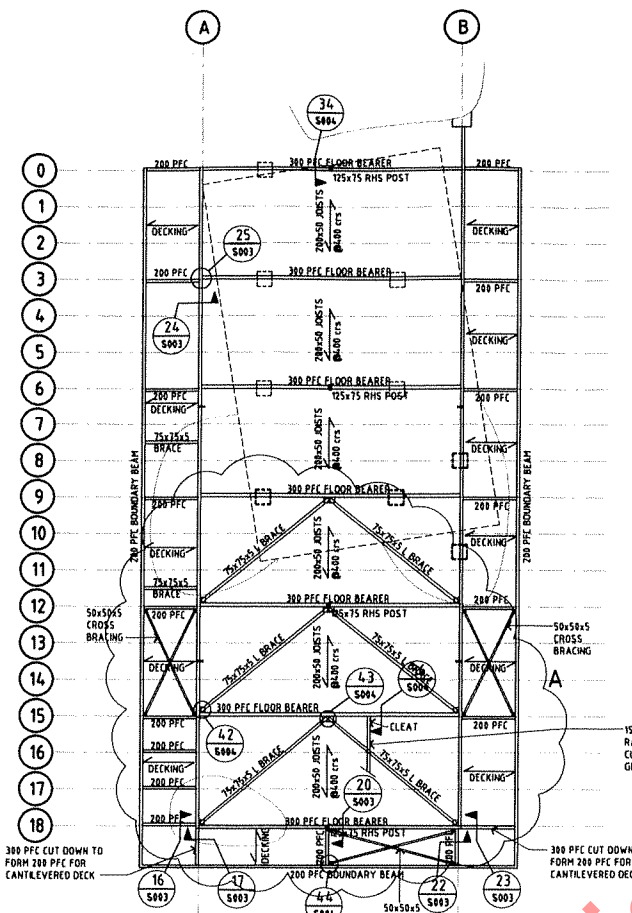


SUB-FLOOR FRAMING PLAN

SCALE 1:100

LEGEND

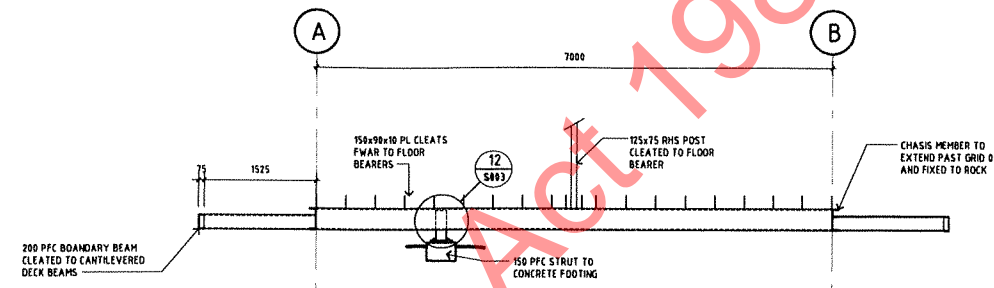
- CONCRETE FOUNDATION PAD WITH 150 PFC STRUT
- DIRECT BOLTED CONNECTION TO ROCK



FLOOR FRAMING PLAN

SCALE 1:100

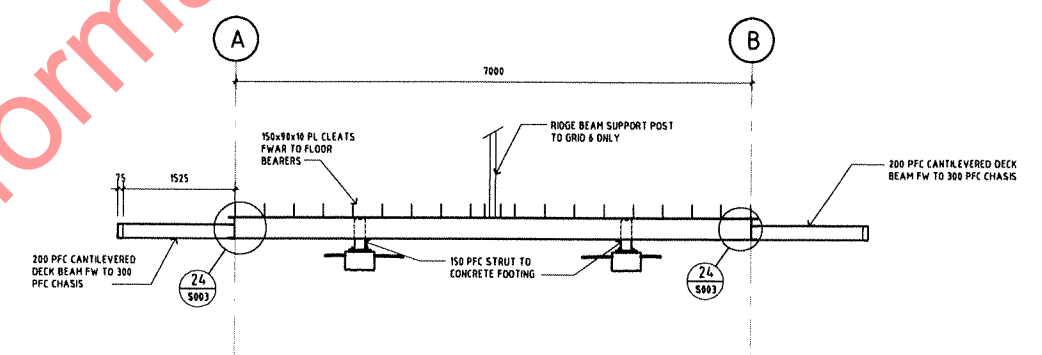
DECKING TO BE WERFARGE WA SERIES 1 GRATING SERRATED 32x3mm BARS @ 30mm c/s



SECTION OF SUBFLOOR AT GRID 0

SCALE 1:50

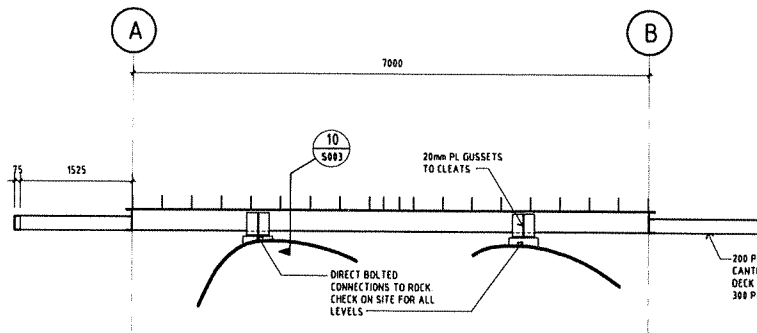
CHECK ON SITE FOR ALL HEIGHTS OF SUPPORT STRUCTURE



SECTION OF SUBFLOOR AT GRIDS 3 & 6

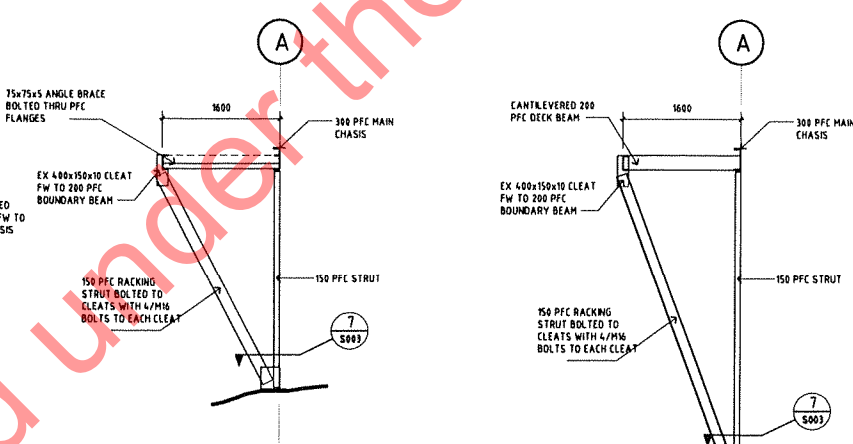
SCALE 1:50

CHECK ON SITE FOR ALL HEIGHTS OF SUPPORT STRUCTURE



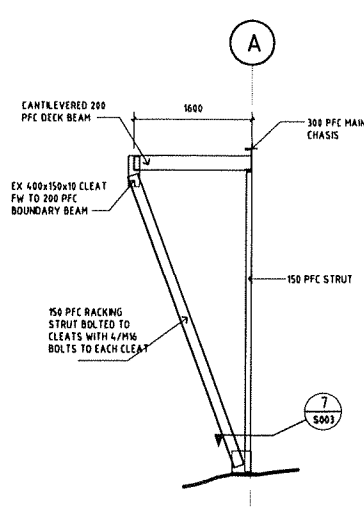
SECTION OF SUBFLOOR AT GRID 9

SCALE 1:50



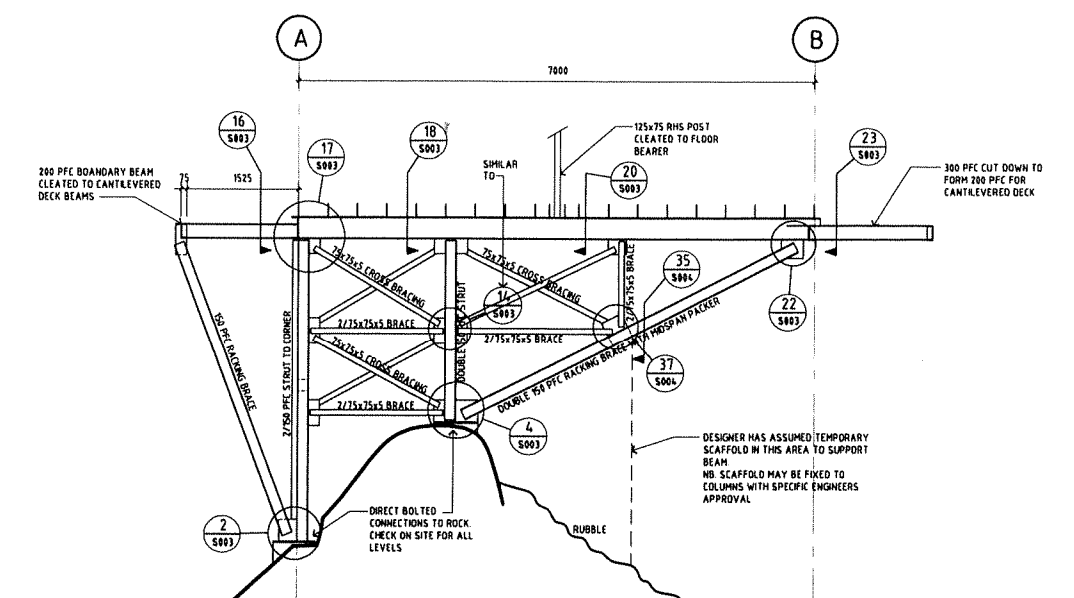
PART SECTION AT GRIDS 7.5 AND 11.5

SCALE 1:50



PART SECTION AT GRID 17

SCALE 1:50



SECTION OF SUBFLOOR AT GRID 18

SCALE 1:50

ORIGINAL SIZE A1

COPYRIGHT Warburton Team Architecture Ltd. and Montgomery Watson New Zealand Ltd.	
REV	DATE
B	ISSUED FOR CONSTRUCTION 08.10.03
A	NEW RACKING BRACE ON GRID A. ADDITIONAL BRACING TO FLOOR AND DECK 19.09.05
REV	DATE

WARBURTON TEAM ARCHITECTURE

Warburton Team Architecture Ltd
30 London Street, Dunedin
PO Box 8123, Dunedin
Telephone 03 474 1831,
Facsimile 03 470 2311
Email warburton@ta.co.nz

MWH
MONTGOMERY WATSON HARZA

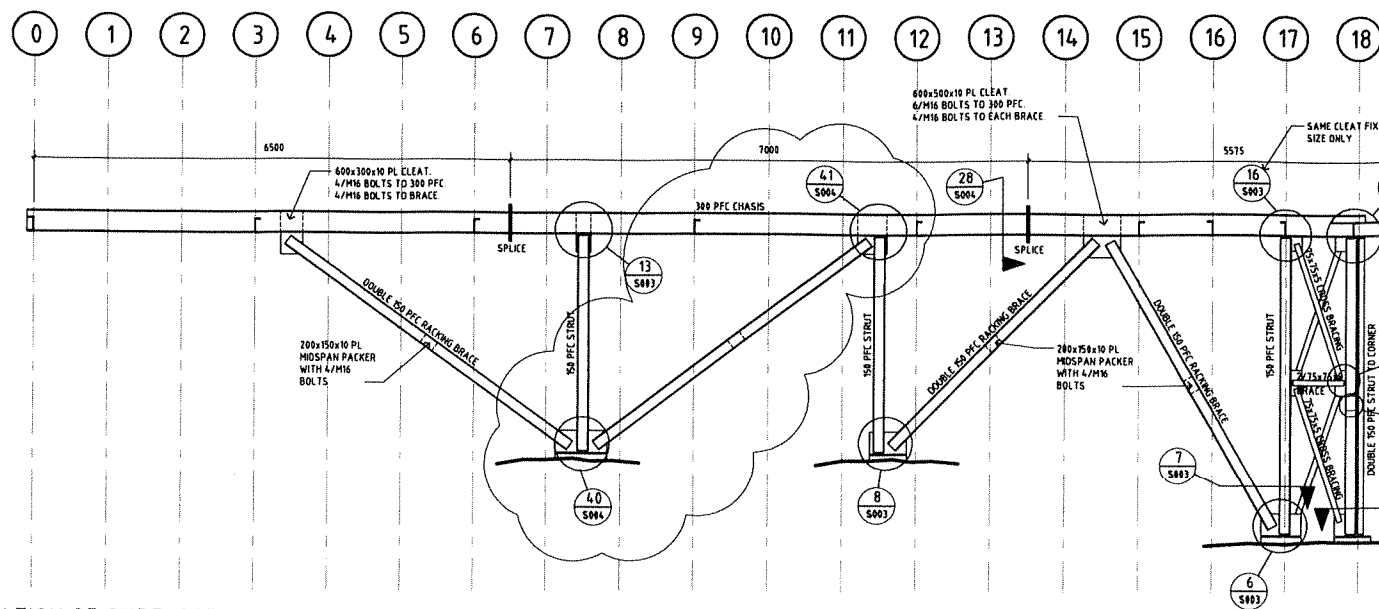
PLATEAU HUT REPLACEMENT, MOUNT COOK
DEPARTMENT OF CONSERVATION

PROPOSED PLAN, SECTION AND ELEVATIONS

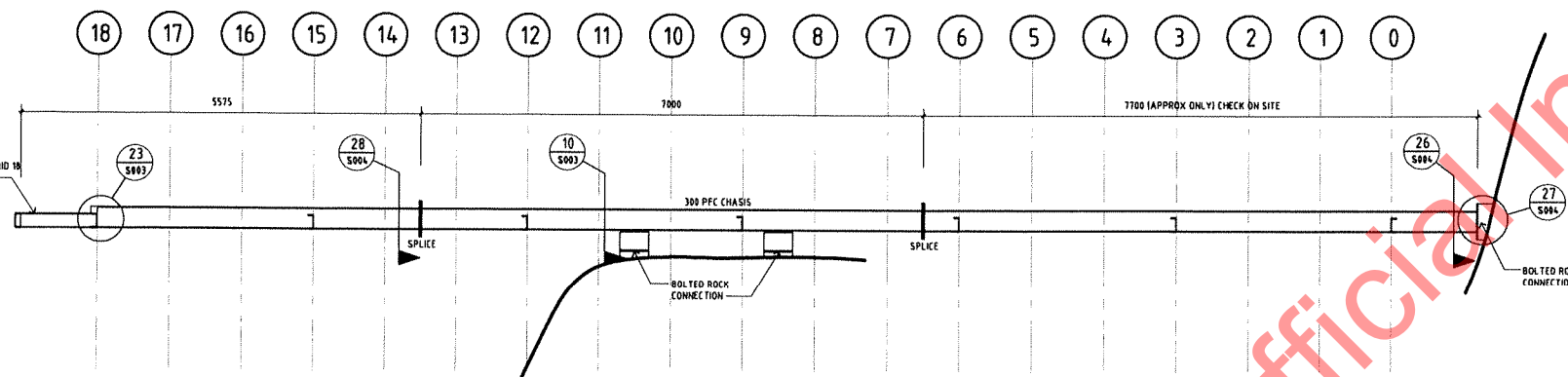
Status Stamp	AS BUILT
Date Stamp	19.09.05
SCALES:	1:100
CAD REF:	Z/2003/0316/03165001
Job No.	0316
Sheet No.	S001
Rev.	B

DO NOT SCALE - IF IN DOUBT, ASK

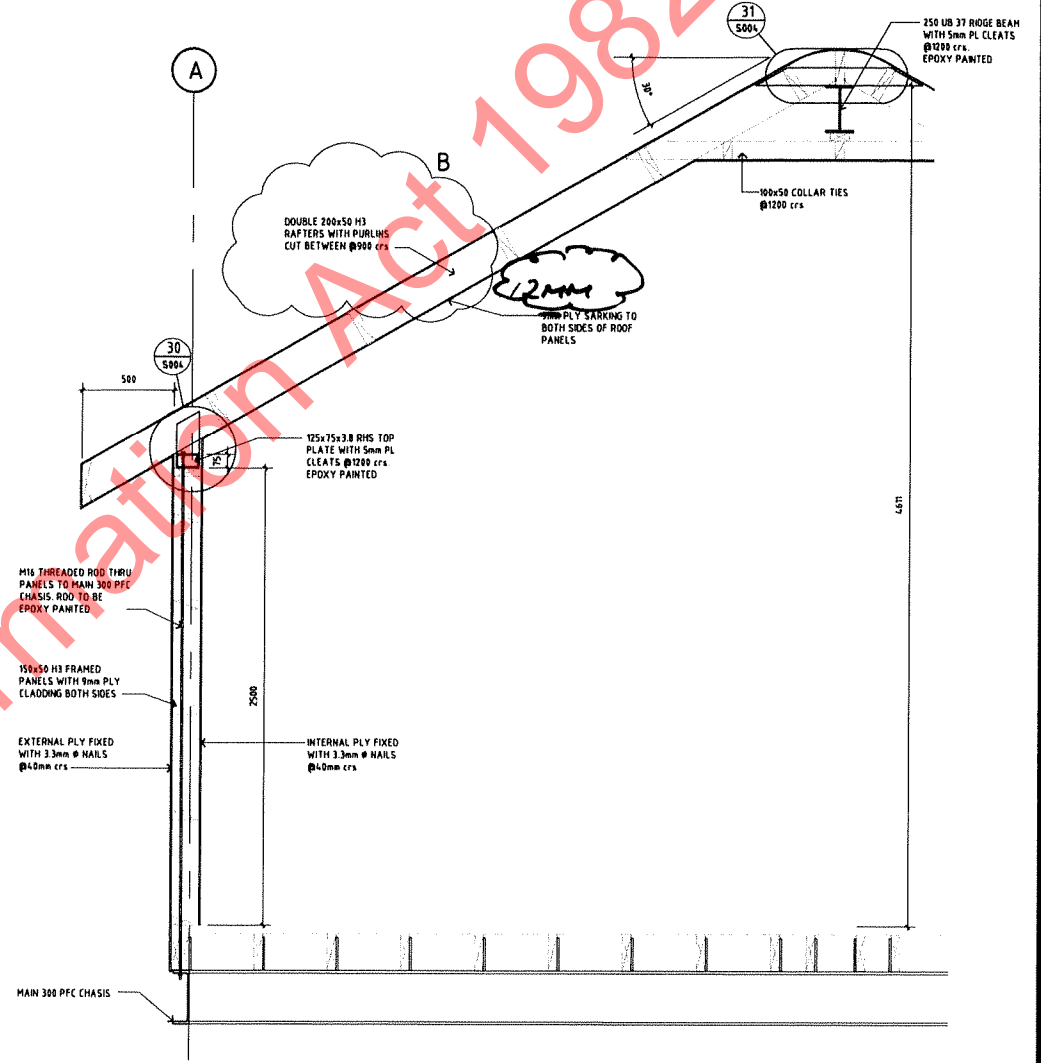
ORIGINAL SIZE A1



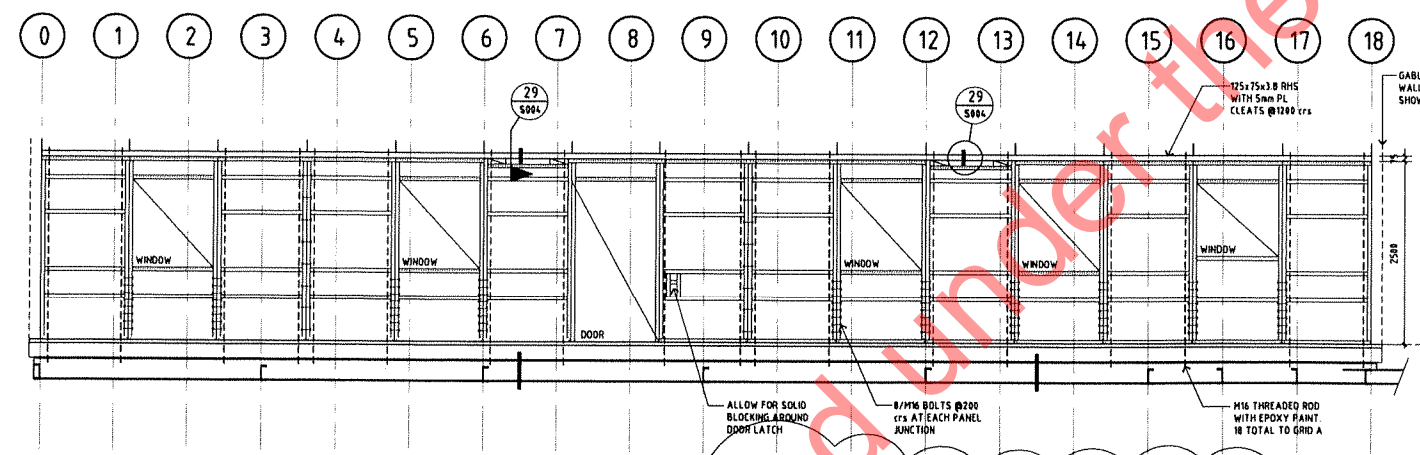
ELEVATION OF SUBFLOOR ON GRID A
SCALE 1:50
CHECK ON SITE FOR ALL HEIGHTS OF SUPPORT STRUCTURE



ELEVATION OF SUBFLOOR ON GRID B
SCALE 1:50
CHECK ON SITE FOR ALL HEIGHTS OF SUPPORT STRUCTURE

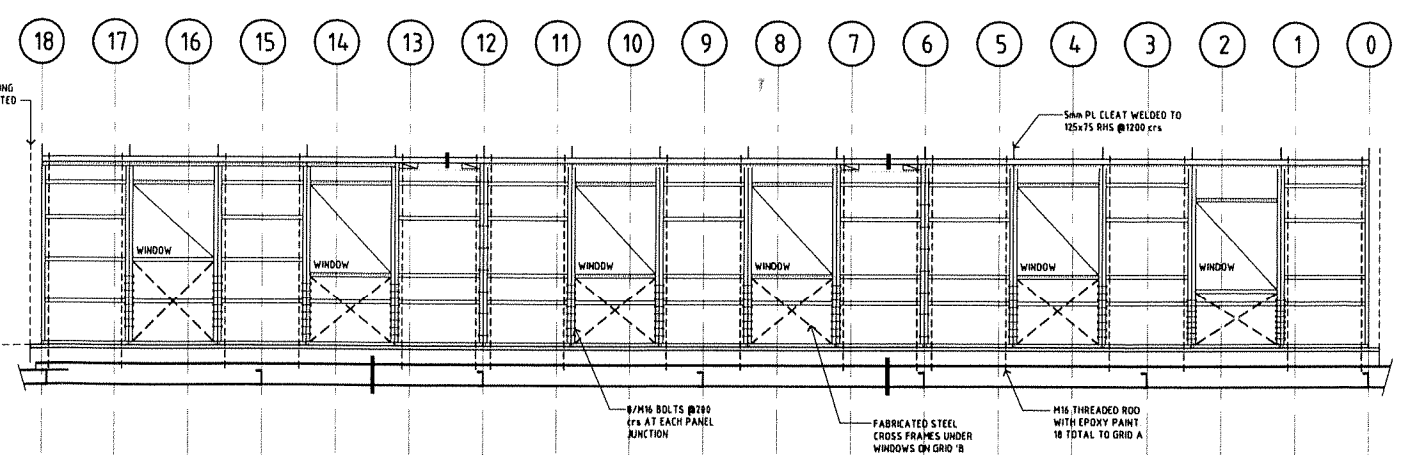


PART SECTION SHOWING STRUCTURAL ELEMENTS
SCALE 1:20



ELEVATION OF WALL FRAMING ON GRID A
SCALE 1:50
(VIEWED FROM OUTSIDE)

NOTE
ALL WALLS RUNNING PERPENDICULAR TO GRIDS A AND B ARE TO BE NAILED AS BRACING WALLS. THE NAILING SHALL BE AS PER CARTER HOLT HARVEY INSTALLATION GUIDELINES. NAILS SHALL BE 30mm x 2.5mm GALVANISED FLAT HEAD @150mm CENTRES ALONG ALL PANEL EDGES AND @300mm CENTRES TO DWANGS AND STUDS NOT AT PANEL EDGES. THIS NAILING PATTERN SHALL BE USED ON BOTH SIDES OF ALL WALLS INTERNAL AND EXTERNAL RUNNING PERPENDICULAR TO GRIDS A AND B.



ELEVATION OF WALL FRAMING ON GRID B
SCALE 1:50
(VIEWED FROM OUTSIDE)

COPYRIGHT		Warburton Team Architecture Ltd and Montgomery Watson New Zealand Ltd	
XREFS:		Name	Date
SURVEYED		WTA	APRIL 2003
DESIGNED		PT	MAY 2003
DRAWN			
CHECKED			
APPROVED			
REV	REVISIONS	DATE	INITIAL
B	REVISED NOTES, ISSUED FOR CONSTRUCTION	08.10.03	PT
A	NEW BRACING BRACE ON GRID A	19.08.03	PT
	AMENDMENTS		

WARBURTON
TEAM ARCHITECTURE

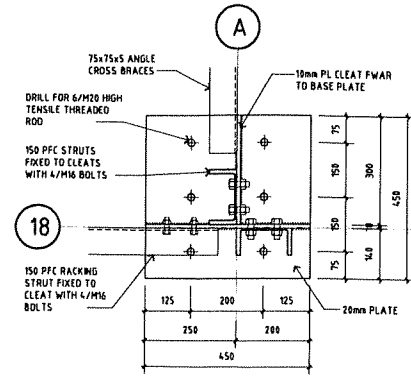
Warburton Team Architects Ltd
30 London Street, Dunedin
PO Box 8133, Dunedin
Telephone 03 474 1888,
Facsimile 03 479 2011
Email warburts@tra.co.nz

MWH
MONTGOMERY WATSON HARZA

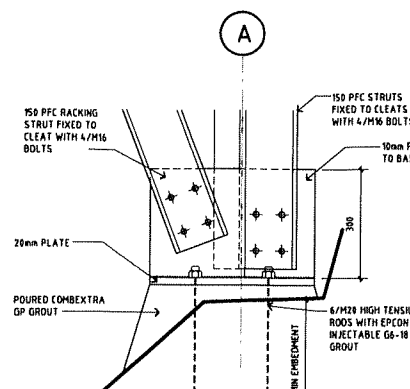
PLATEAU HUT REPLACEMENT, MOUNT COOK
DEPARTMENT OF CONSERVATION
STRUCTURAL SUPPORT AND FRAMING ELEVATIONS

Status Stamp	AS BUILT
Date Stamp	19.09.05
SCALES:	1:50, 1:20
CAD REF:	Z/2003/0316/03165001
Job No	0316
Sheet No	S002
Rev	B

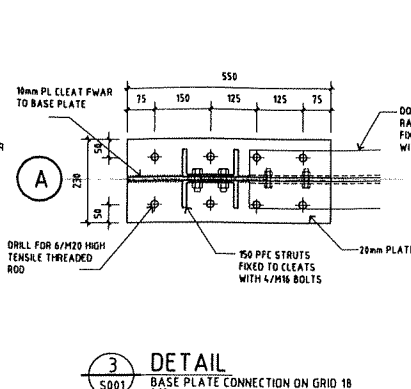
DO NOT SCALE - IF IN DOUBT, ASK
ORIGINAL SIZE A1



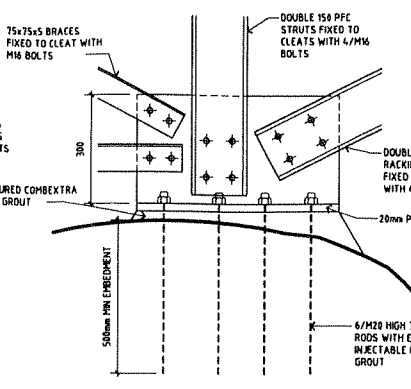
1 DETAIL
S001 BASE PLATE CONNECTION AT GRIDS A18
1:10



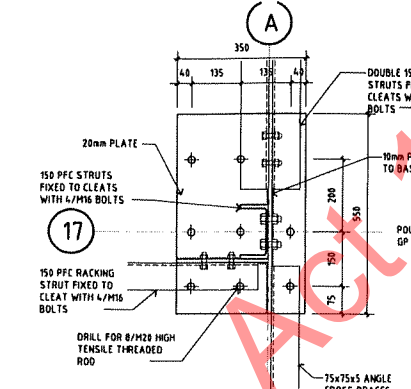
2 DETAIL
S001 BASE PLATE CONNECTION AT GRIDS A18
1:10



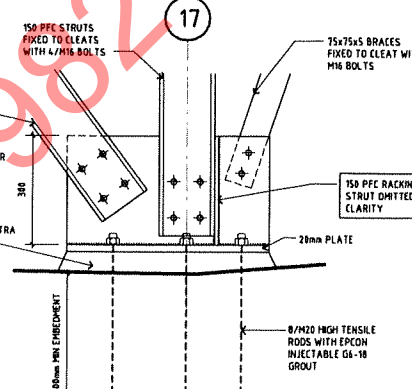
3 DETAIL
S001 BASE PLATE CONNECTION ON GRID 18
1:10



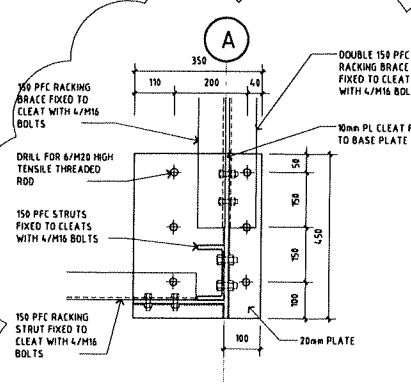
4 DETAIL
S001 BASE PLATE CONNECTION ON GRID 18
1:10



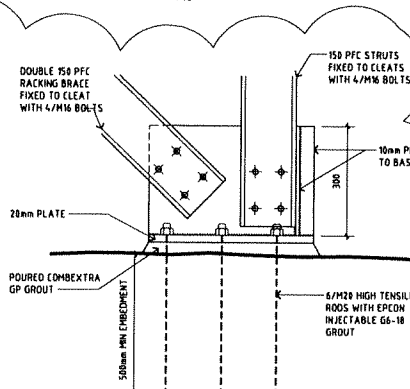
5 DETAIL
S001 BASE PLATE CONNECTION ON GRIDS A17
1:10



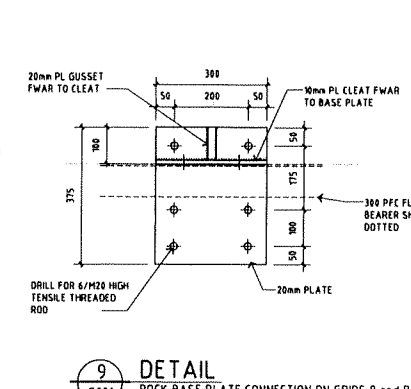
6 DETAIL
S001 BASE PLATE CONNECTION ON GRIDS A17
1:10



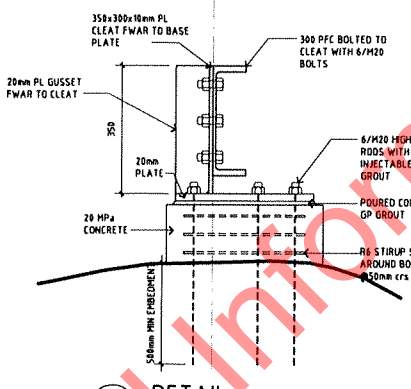
7 DETAIL
S001 BASE PLATE CONNECTION ON GRID A15
1:10
NOTE: BASE PLATE AT GRID A15 IS HANDED



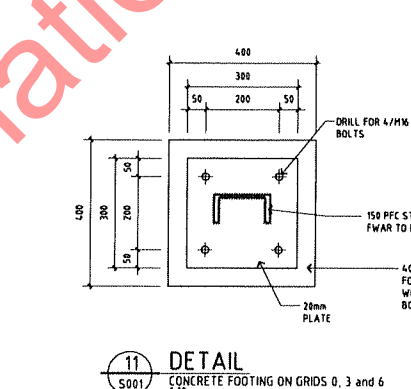
8 DETAIL
S002 BASE PLATE CONNECTION ON GRID A15
1:10
NOTE: BASE PLATE AT GRID A15 IS HANDED



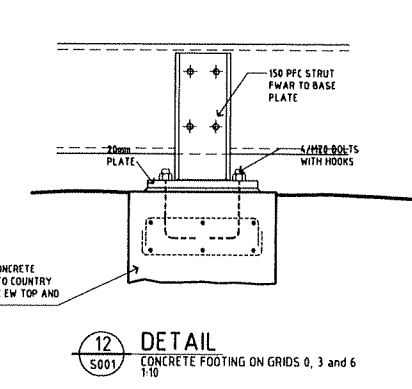
9 DETAIL
S001 ROCK BASE PLATE CONNECTION ON GRIDS 9 and B
1:10



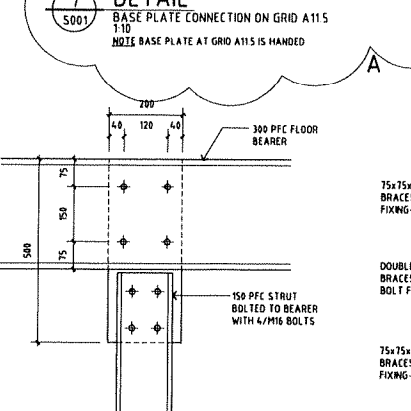
10 DETAIL
S001 ROCK BASE PLATE CONNECTION ON GRIDS 9 and B
1:10



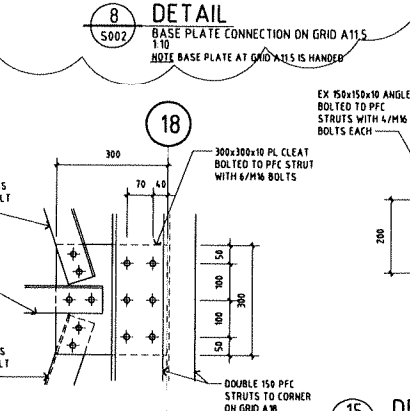
11 DETAIL
S001 CONCRETE FOOTING ON GRIDS 0, 3 and 6
1:10



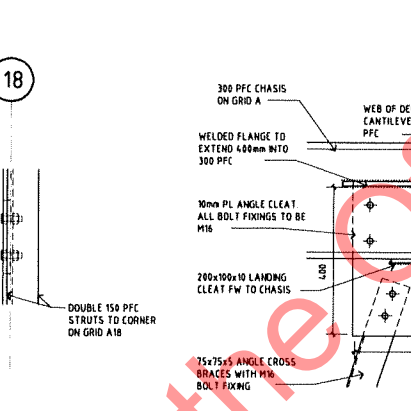
12 DETAIL
S001 CONCRETE FOOTING ON GRIDS 0, 3 and 6
1:10



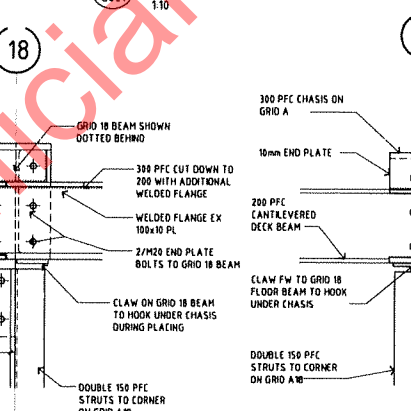
13 DETAIL
S001 150 PFC STRUT / FLOOR BEARER CONNECTION
1:10



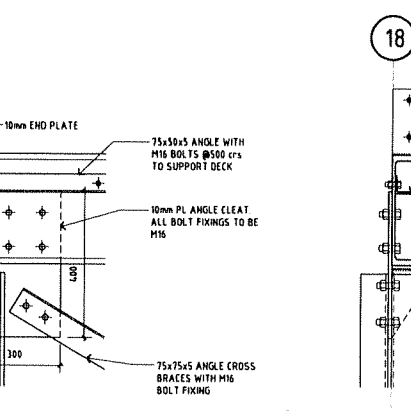
14 DETAIL
S001 CLEAT CONNECTION FOR BRACING ON GRIDS 17 and 18
1:10



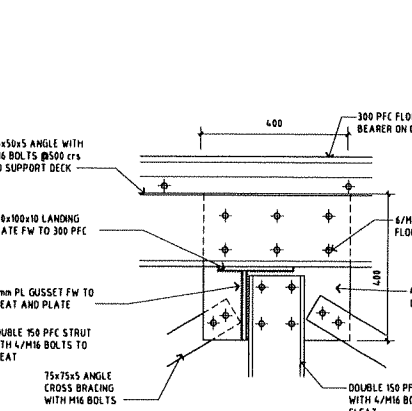
15 DETAIL
S001 STRUT MIDSPAN JUNCTION ON GRID A18
1:10



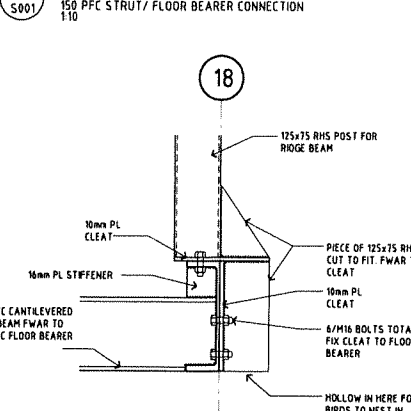
16 DETAIL
S001 CHASIS AND CANTILEVERED DECK BEAM JUNCTION
1:10



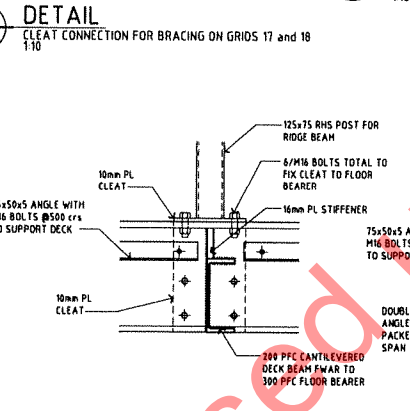
17 DETAIL
S001 CHASIS AND CANTILEVERED DECK BEAM JUNCTION
1:10



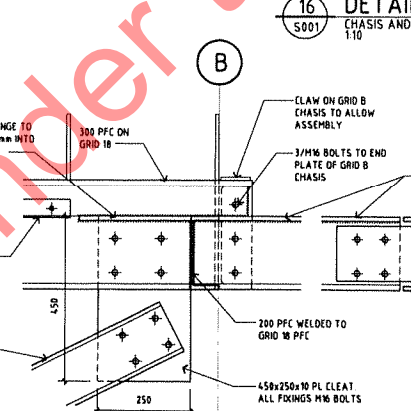
18 DETAIL
S001 STRUT / BEAM CONNECTION ON GRID 18
1:10



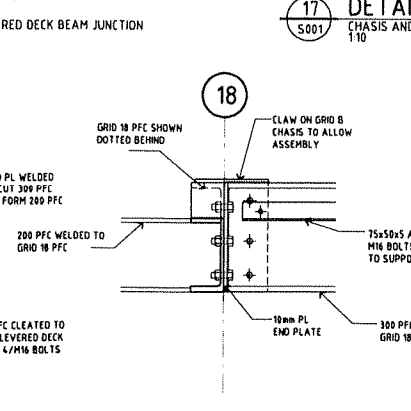
19 DETAIL
S001 STRUT / BEAM CONNECTION ON GRID 18
1:10



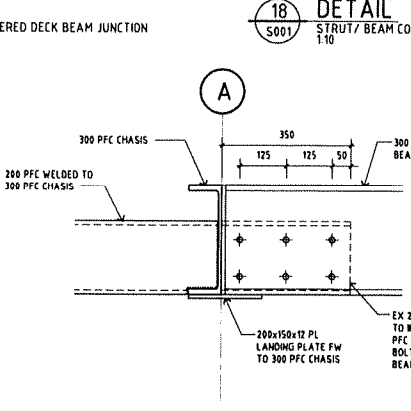
20 DETAIL
S001 'RIDGE BEAM POST' CONNECTION DETAIL ON GRID 18
1:10



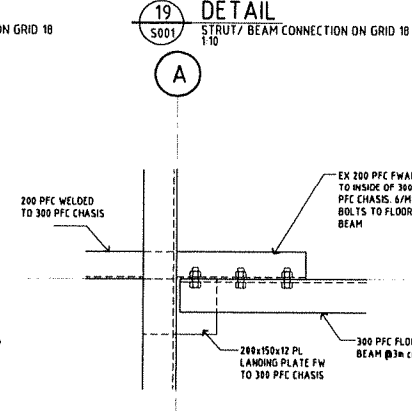
21 DETAIL
S001 'RIDGE BEAM POST' CONNECTION DETAIL ON GRID 18
1:10



22 DETAIL
S001 RACKING BRACE CONNECTION ON GRID B18
1:10



23 DETAIL
S001 CANTILEVERED DECK BEAM CONNECTION ON GRID B18
1:10



24 DETAIL
S001 TYPICAL FLOOR BEARER CONNECTION TO CHASIS
1:10

Copyright © Warburton Team Architecture Ltd and Montgomery Watson New Zealand Ltd

REV	DESCRIPTION	DATE	INITIAL	APPROVED
B	ISSUED FOR CONSTRUCTION	19.08.03	PT	
A	RENAMED DETAILS 7 & 8	19.08.03	PT	
	AMENDMENTS			

COPYRIGHT		Name		Date
XREFS				
SURVEYED	WTA	APRIL 2003		
DESIGNED	PT	APRIL 2003		
DRAWN				
CHECKED				
APPROVED	<i>Oliver</i>			

WARBURTON
TEAM ARCHITECTURE

Warburton Team Architecture Ltd
30 London Street, Dunedin
PO Box 8153, Dunedin
Telephone 03 474 9833,
Facsimile 03 478 3811
Email warburton@wa.co.nz

MWH
MONTGOMERY WATSON HARZA

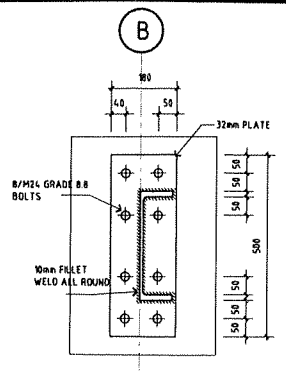
PLATEAU HUT REPLACEMENT, MOUNT COOK
DEPARTMENT OF CONSERVATION

STRUCTURAL DETAILS

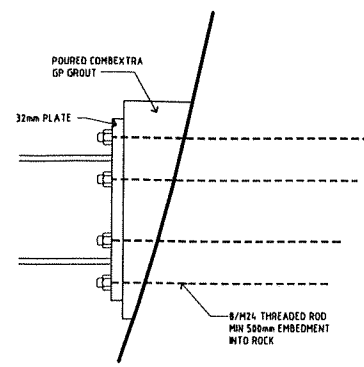
Status Stamp	AS BUILT
Date Stamp	19.09.05
SCALES	1:10
CAD REF	Z/2003/0316/0316S001
Job No.	0316
Sheet No.	S003
Rev.	B

DO NOT SCALE - IF IN DOUBT, ASK

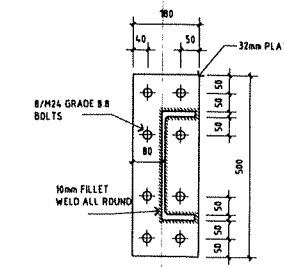
ORIGINAL SIZE A1



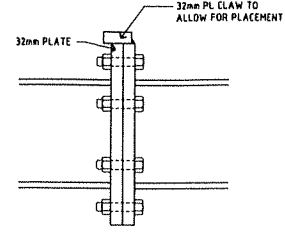
26 DETAIL
S002
ROCK FIXING PLATE
1:10



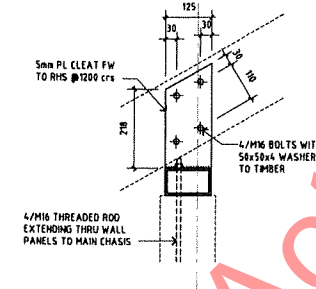
27 DETAIL
S002
ROCK FIXING PLATE
1:10



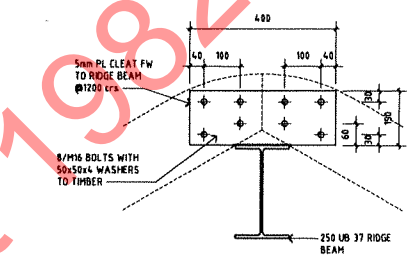
28 DETAIL
S002
BEAM SPLICE DETAIL
1:10



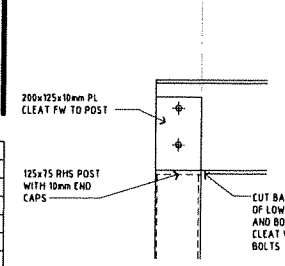
29 DETAIL
S002
TOP PLATE SPLICE DETAIL
1:10



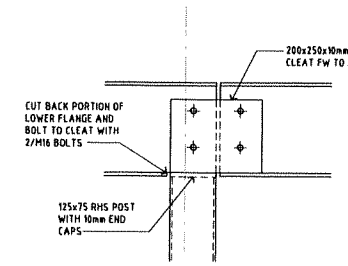
30 DETAIL
S002
EAVES CONNECTION DETAIL
1:10



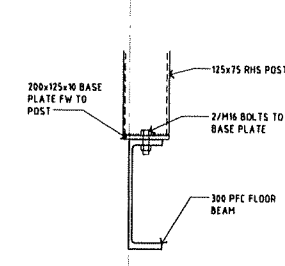
31 DETAIL
S002
RIDGE CONNECTION DETAIL
1:10



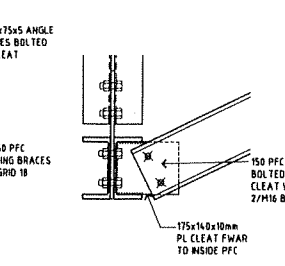
32 DETAIL
S001
RIDGE BEAM CONNECTION AT GABLE END WALL
1:10



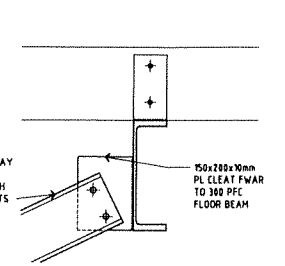
33 DETAIL
S001
RIDGE BEAM CONNECTION AT MID SPAN
1:10



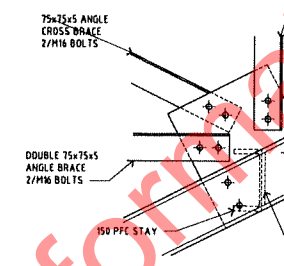
34 DETAIL
S001
POST SUPPORT ON GRIDS 6 & 12
1:10



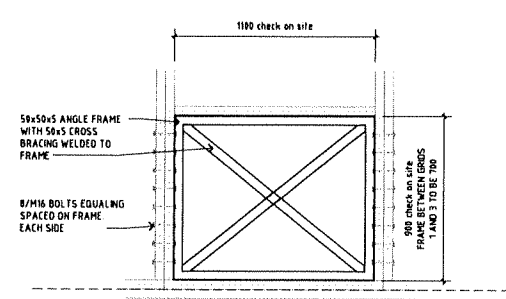
35 DETAIL
S001
STAY TO ANGLED BRACE ON GRID 18
1:10



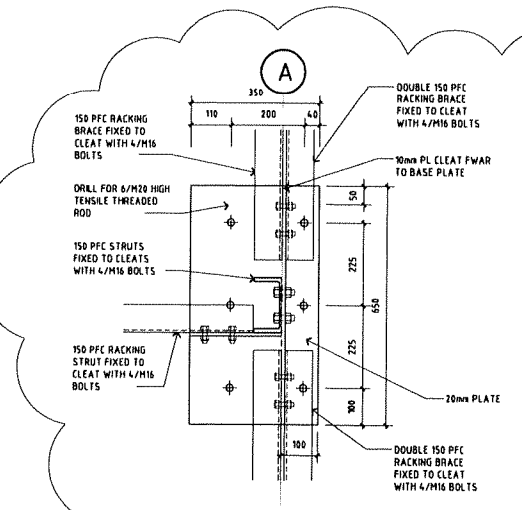
36 DETAIL
S001
STAY TO FLOOR BEAM ON GRID 15
1:10



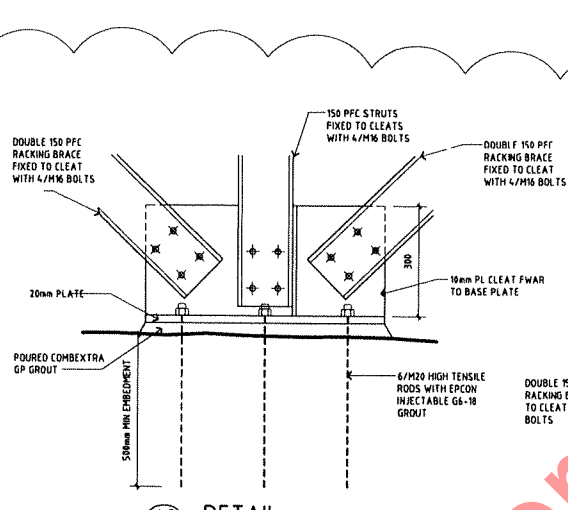
37 DETAIL
S001
CROSS BRACE FIXING ON GRID 18
1:10



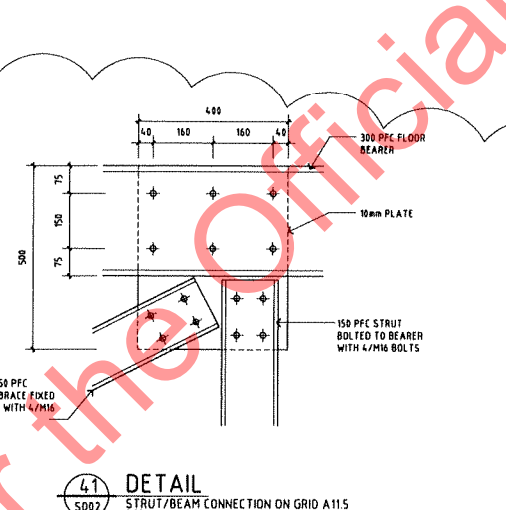
38 DETAIL
S002
WALL PANEL BRACING FRAME GRID B ONLY
1:20



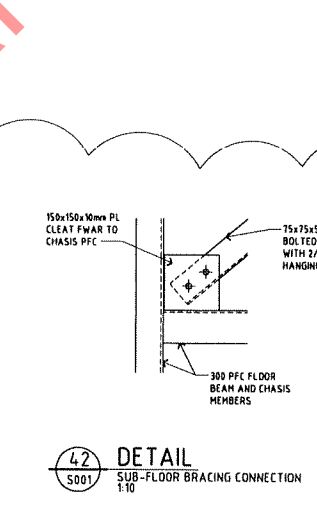
39 DETAIL
S001
BASE PLATE CONNECTION ON GRID A7.5
1:10



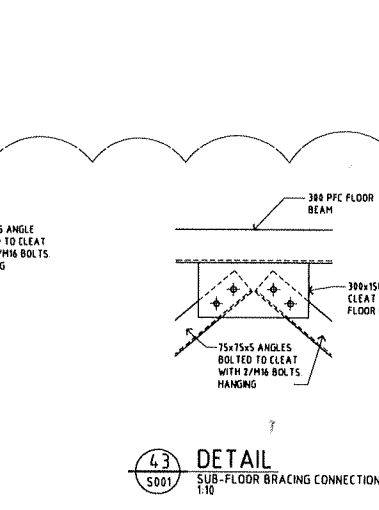
40 DETAIL
S002
BASE PLATE CONNECTION ON GRID A7.5
1:10



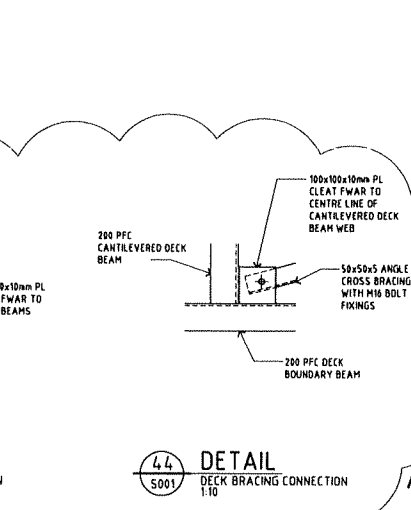
41 DETAIL
S002
STRUT/BEAM CONNECTION ON GRID A11.5
1:10



42 DETAIL
S001
SUB-FLOOR BRACING CONNECTION
1:10



43 DETAIL
S001
SUB-FLOOR BRACING CONNECTION
1:10



44 DETAIL
S001
DECK BRACING CONNECTION
1:10

REV	DESCRIPTION	DATE	INITIAL
B	ISSUED FOR CONSTRUCTION	08.08.03	PT
A	NEW DETAILS 39, 40, 41, 42, 43 AND 44	19.08.03	PT
REV	AMENDMENTS	DATE	INITIAL

COPYRIGHT		© Warburton Team Architecture Ltd and Montgomery Watson New Zealand Ltd	
XREFS:			
Name	Date		
SURVEYED			
DESIGNED	WTA	APRIL 2003	
DRAWN	PT	APRIL 2003	
CHECKED			
APPROVED	PT		

WARBURTON TEAM ARCHITECTURE
 Warburton Team Architecture Ltd
 20 London Street, Dunedin
 PO Box 8153, Dunedin
 Telephone 03 474 9823,
 Facsimile 03 474 3211
 Email warburton@wta.co.nz

MWH
 MONTGOMERY WATSON HARZA

PLATEAU HUT REPLACEMENT, MOUNT COOK
 DEPARTMENT OF CONSERVATION
 STEEL DETAILS

Status Stamp **AS BUILT**
 Date Stamp **19.09.05**
 SCALES: 1:10
 CAD REF: Z/2003/0316/0316S001
 Job No. **0316** Sheet No. **S004** Rev. **B**