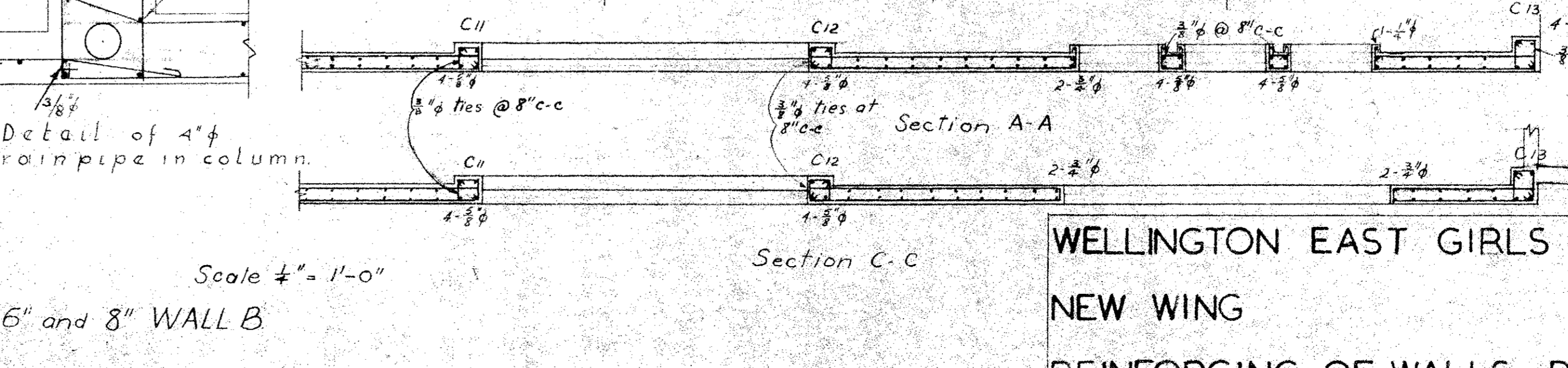
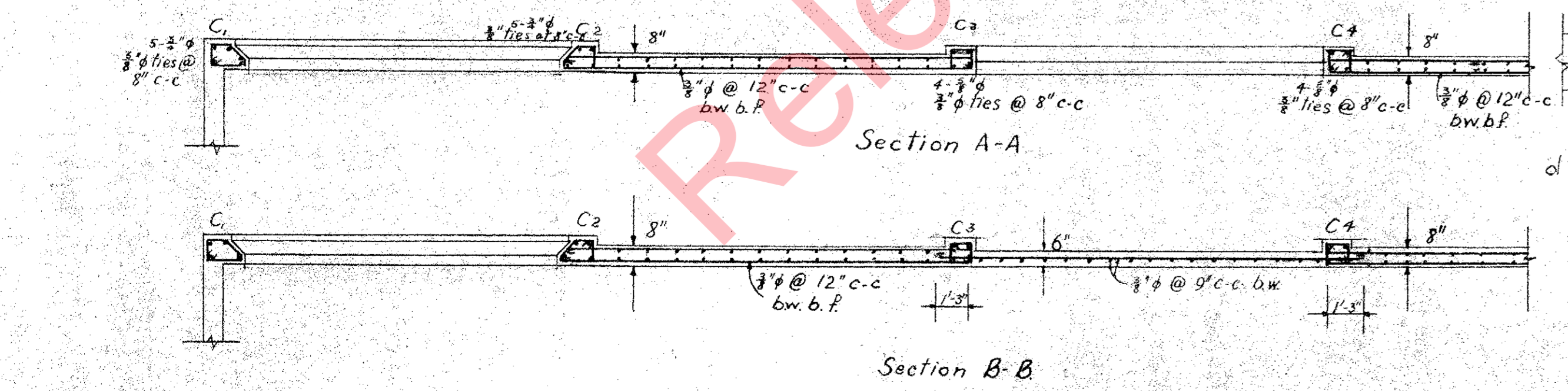
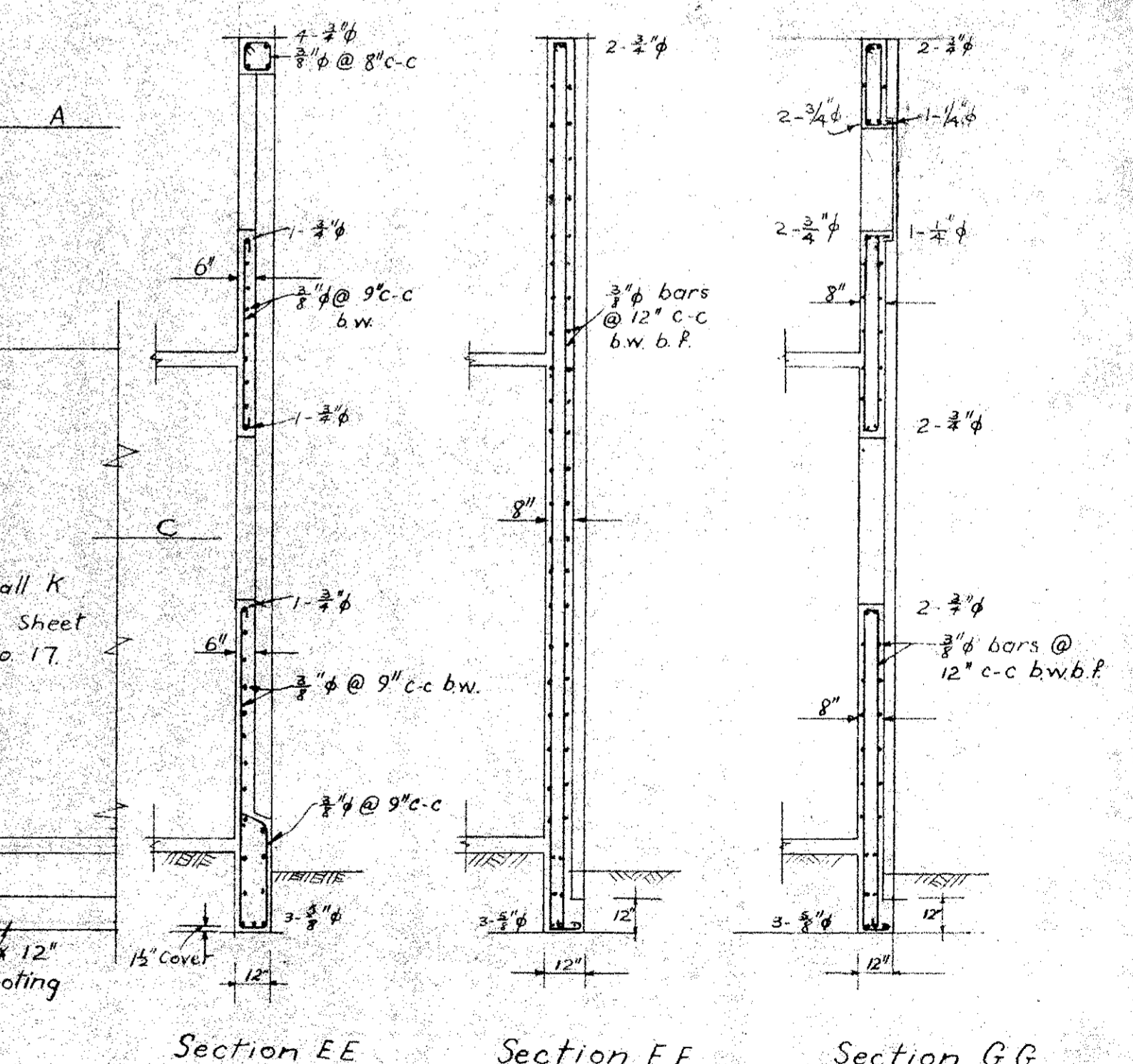
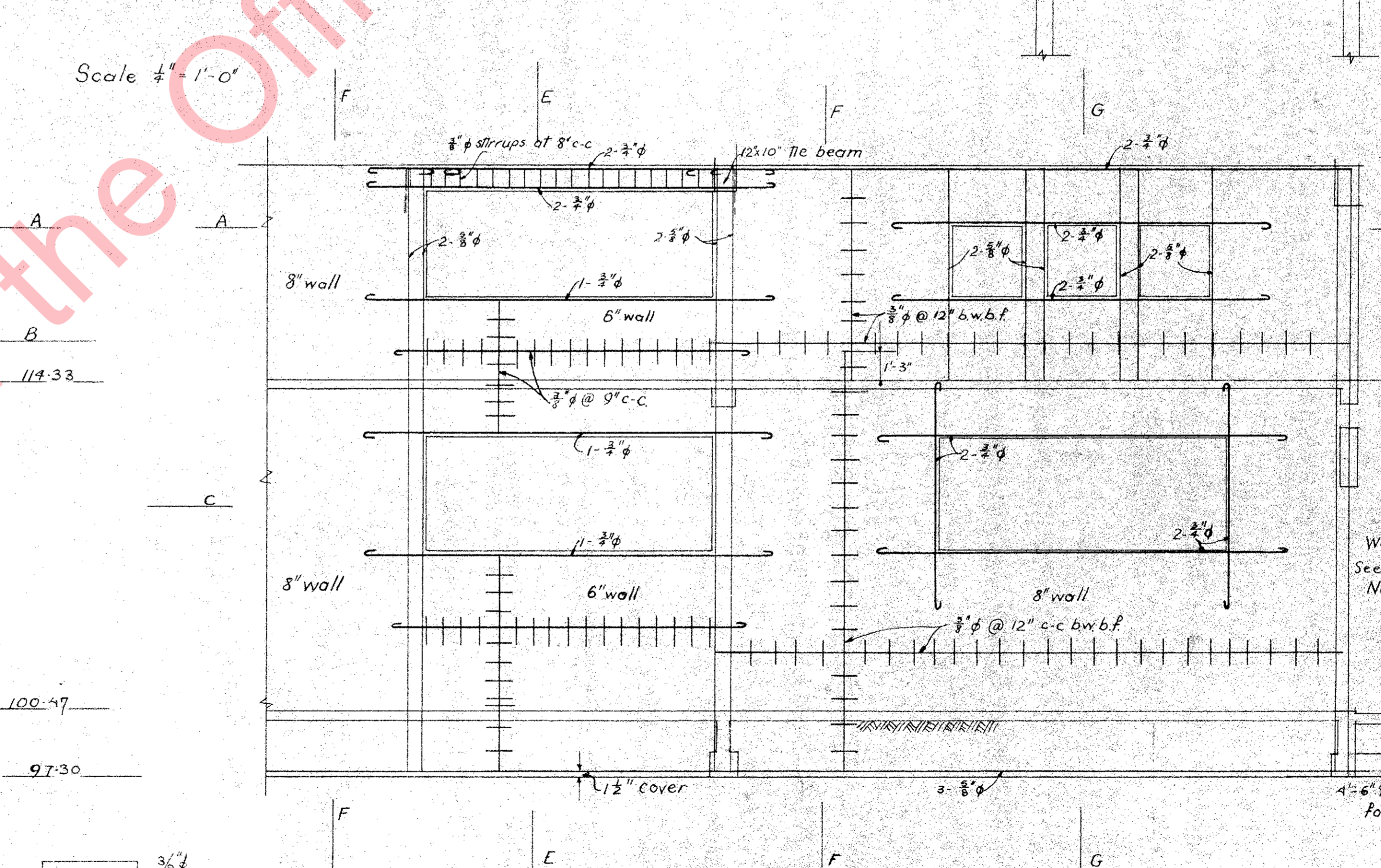
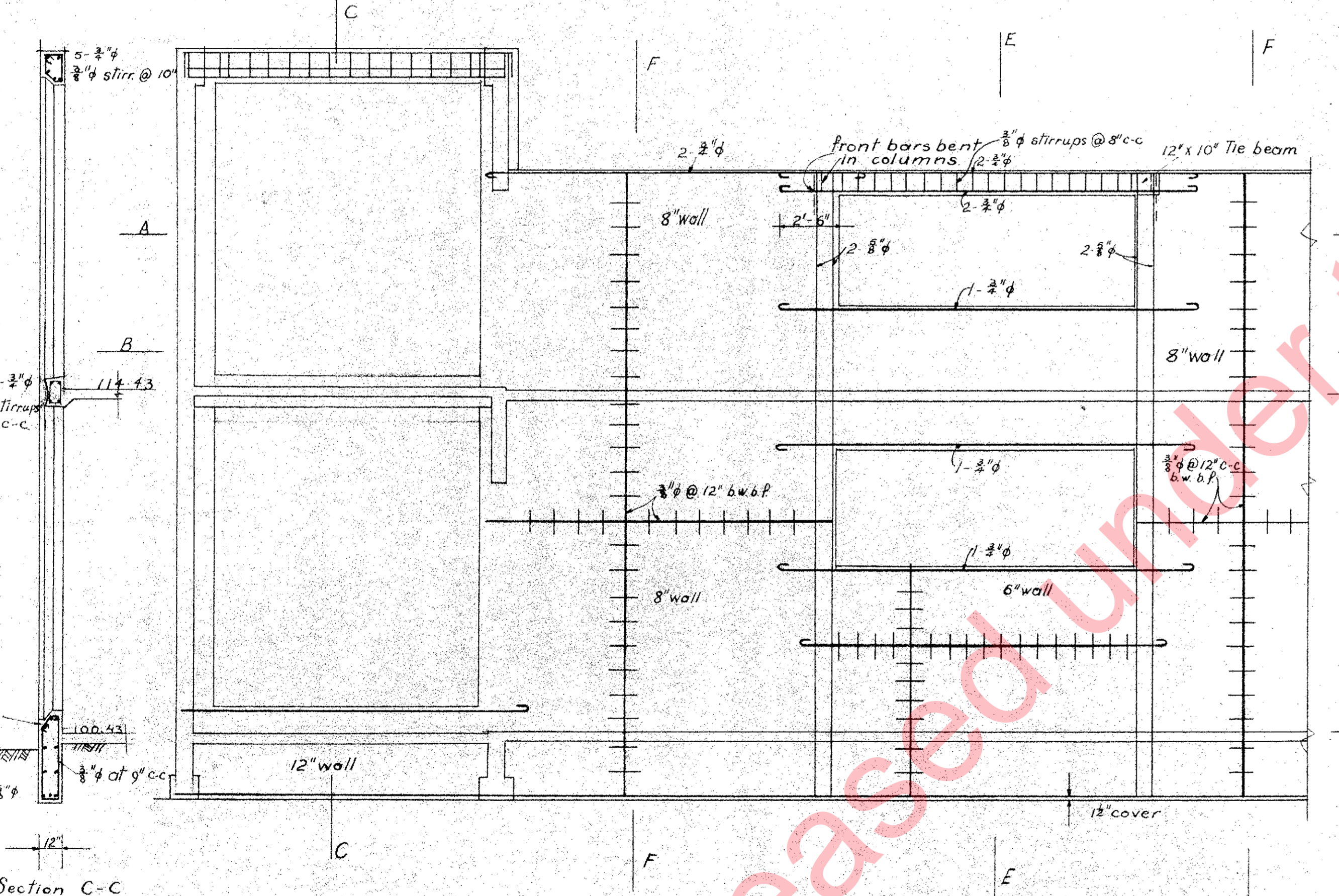
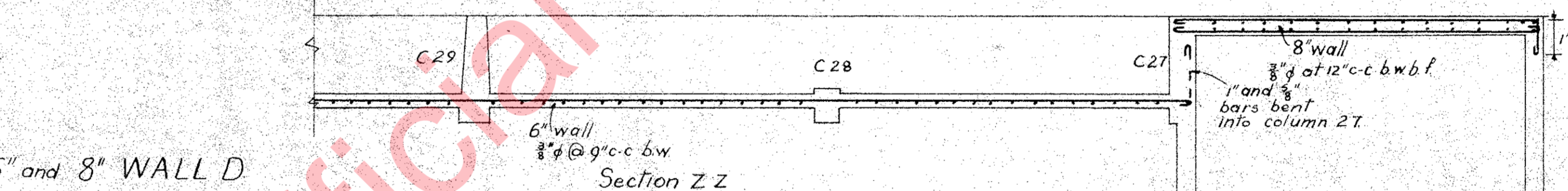
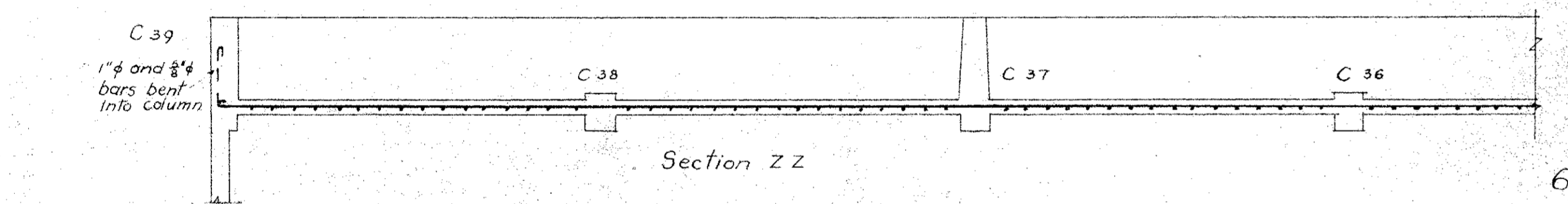
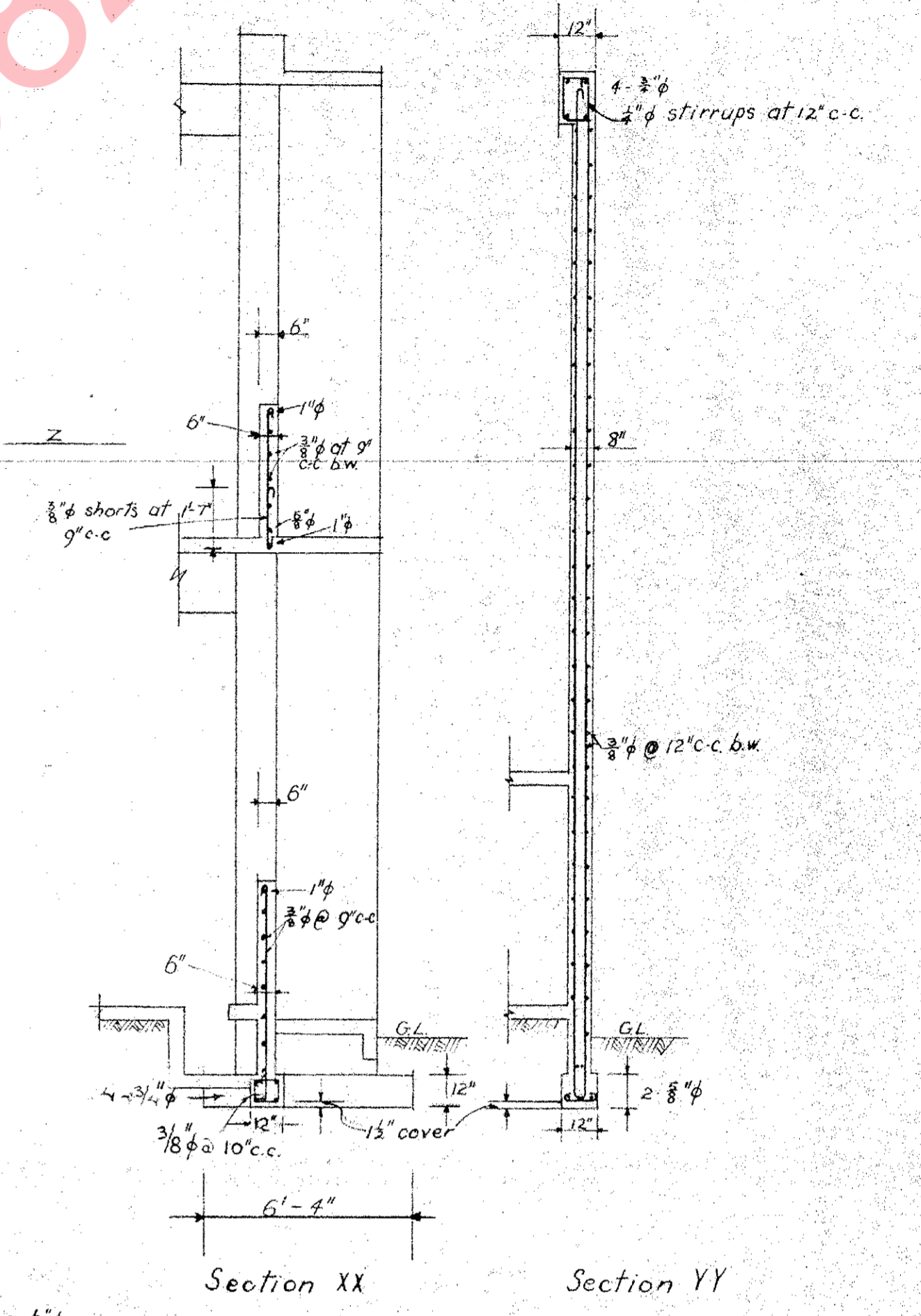
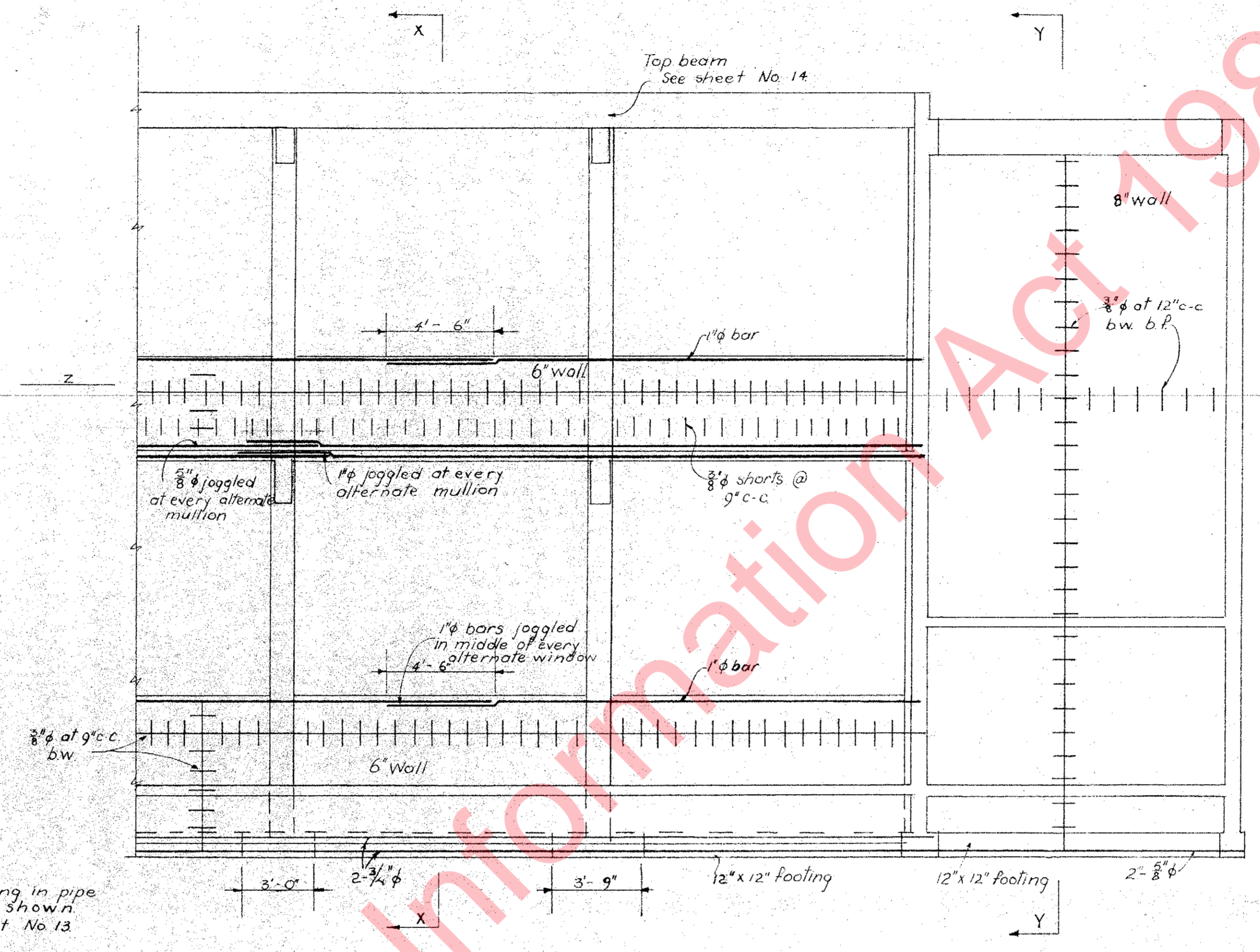


Note: reinforcing in pipe duct not shown. See sheet No 13.



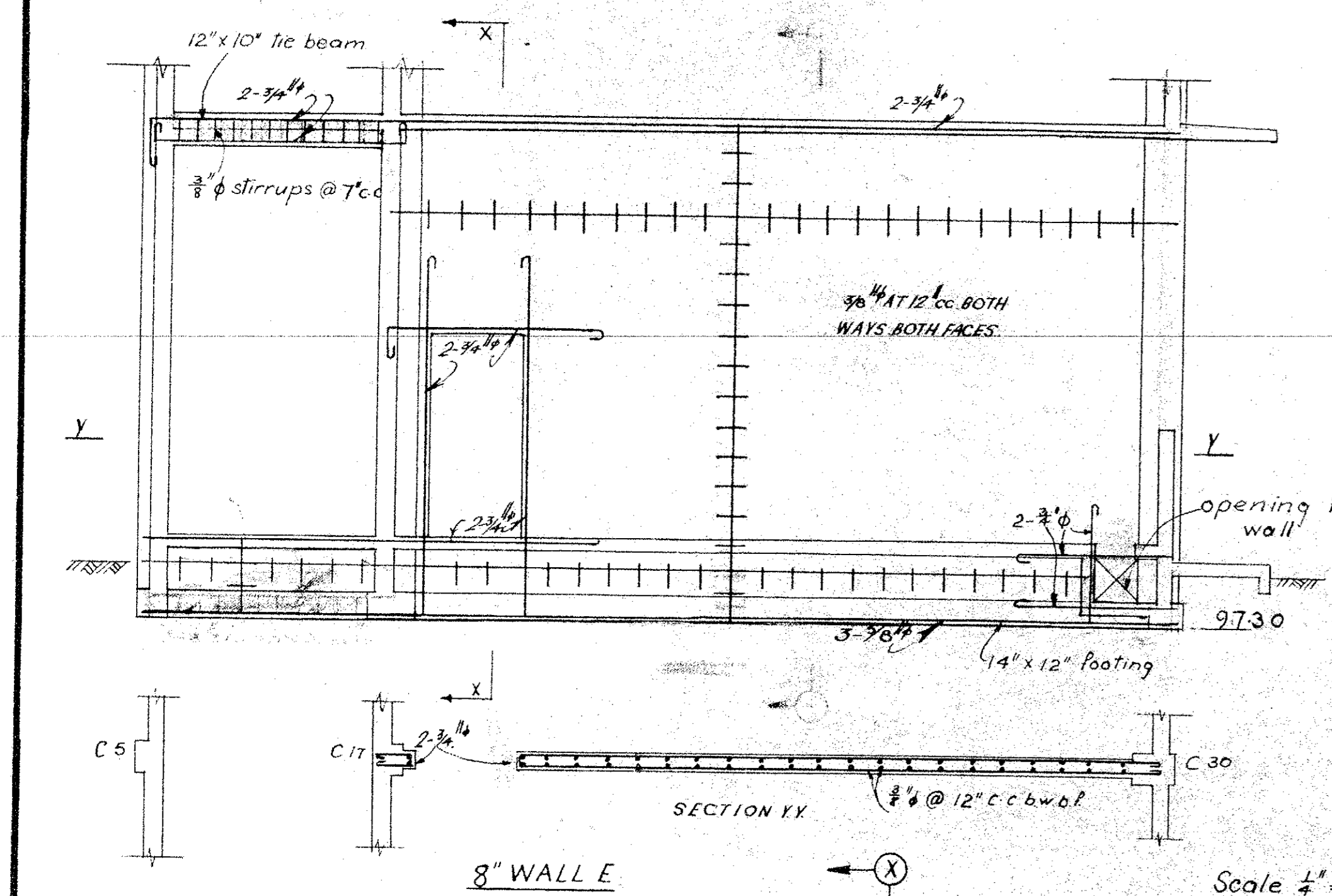
Detail of 4 inch drainpipe in column.

Scale 1/4" = 1'-0"

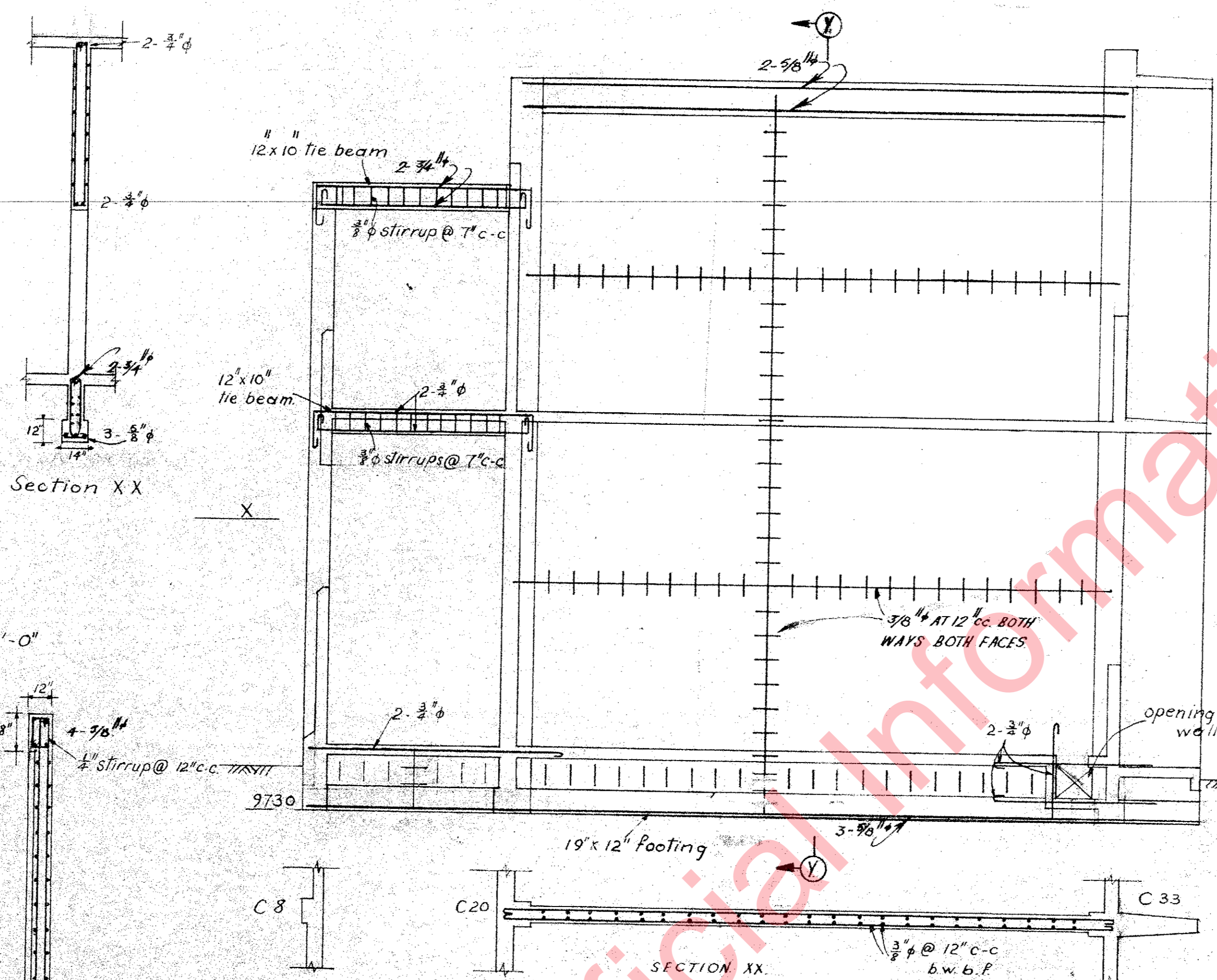
6" and 8" WALL B

WELLINGTON EAST GIRLS COLLEGE
NEW WING
REINFORCING OF WALLS D AND B

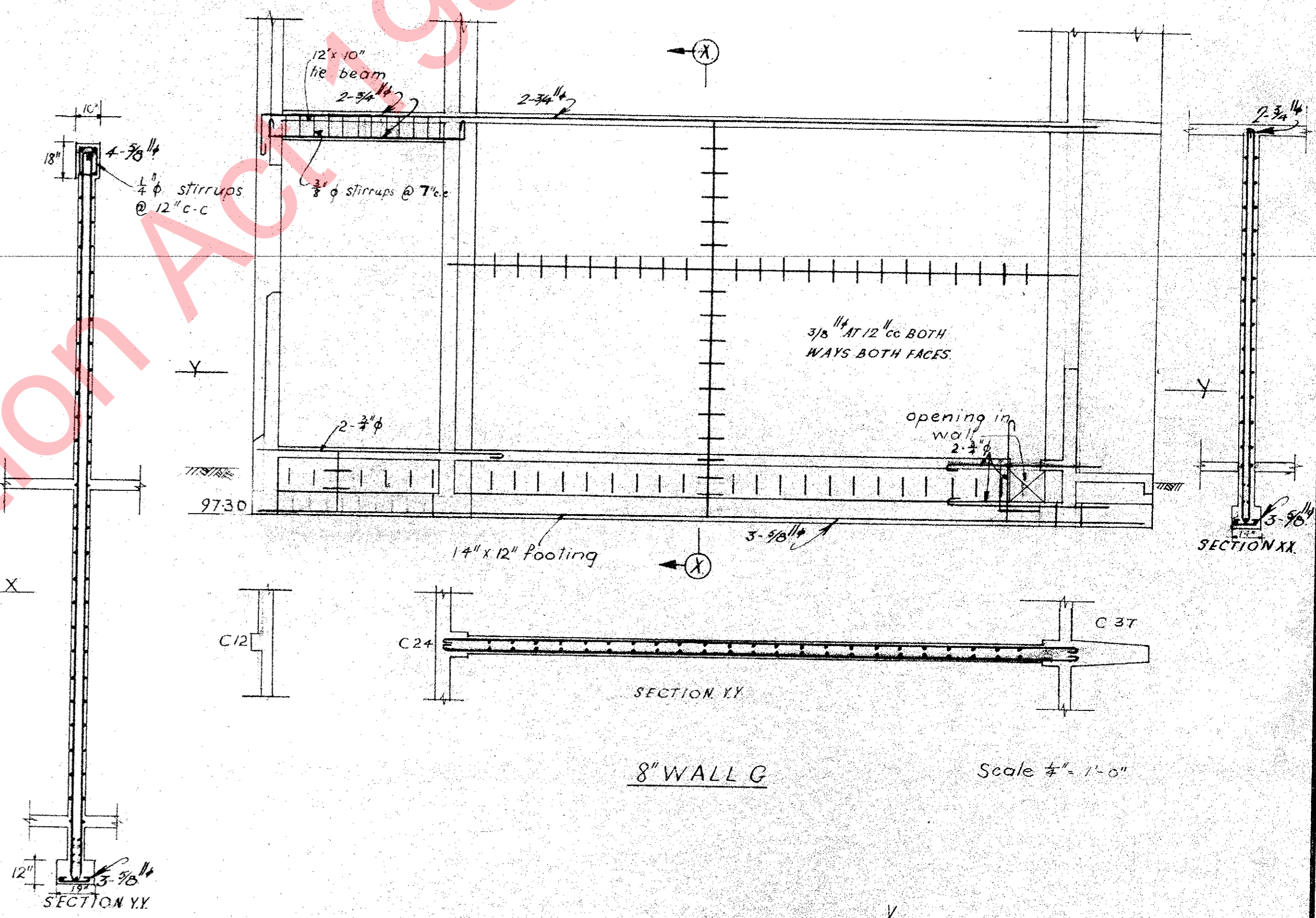
SCALE	1/4" = 1'-0"	LIBRARY OF B.O.B.S.	JOB No.	52/35	SHEET	
DRAWN	D.K. Feb 53	ARCHITECTURAL	FILE No.	13/1/45	No.	15
CHECKED	J.C.M. Feb 53	ENGINEER				
					A.W.D.O.	20
					20776	



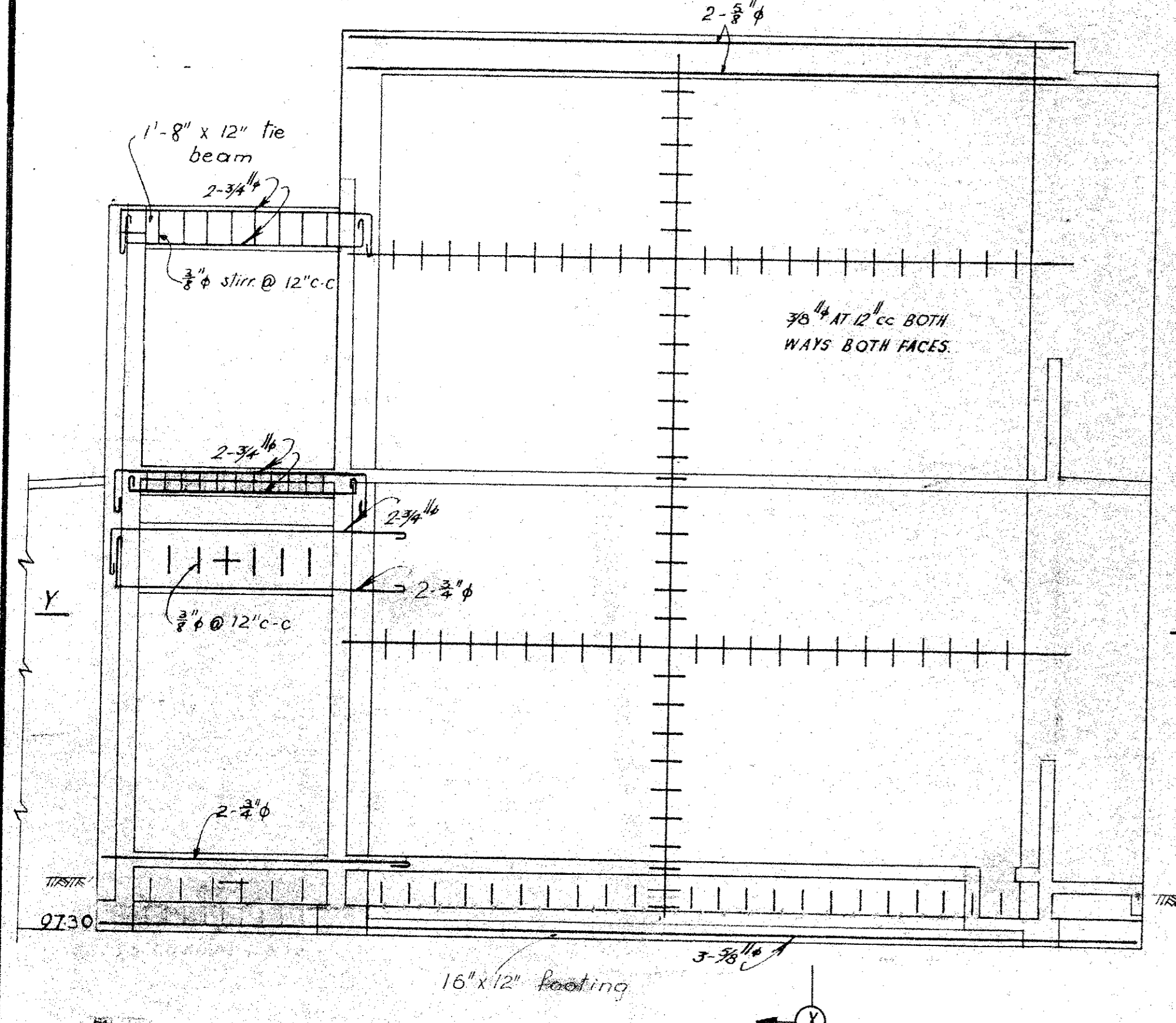
8" WALL E Scale 1/4" = 1'-0"



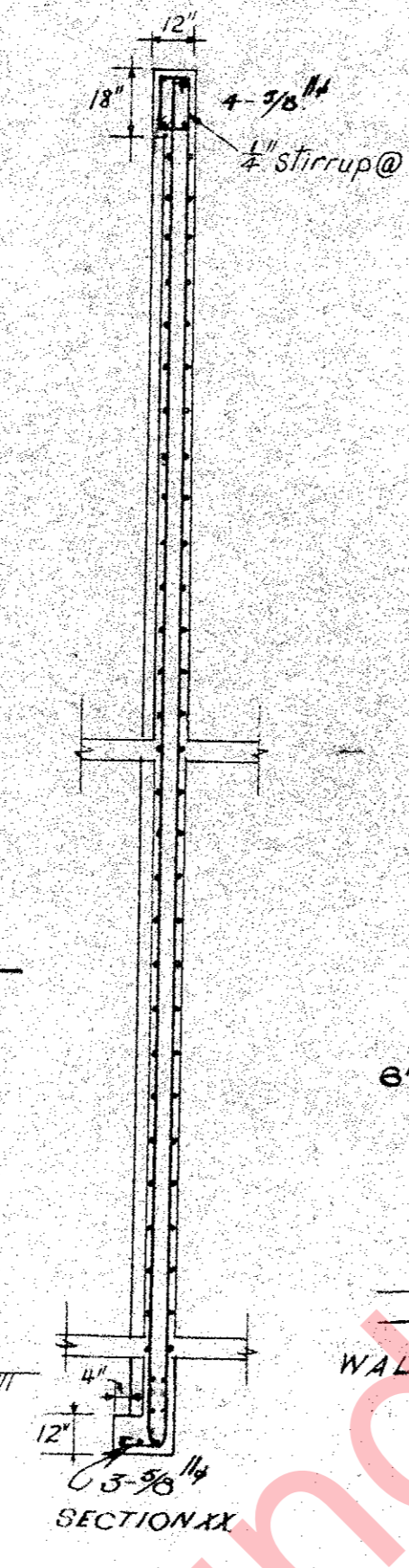
8" WALL F Scale 1/4" = 1'-0"



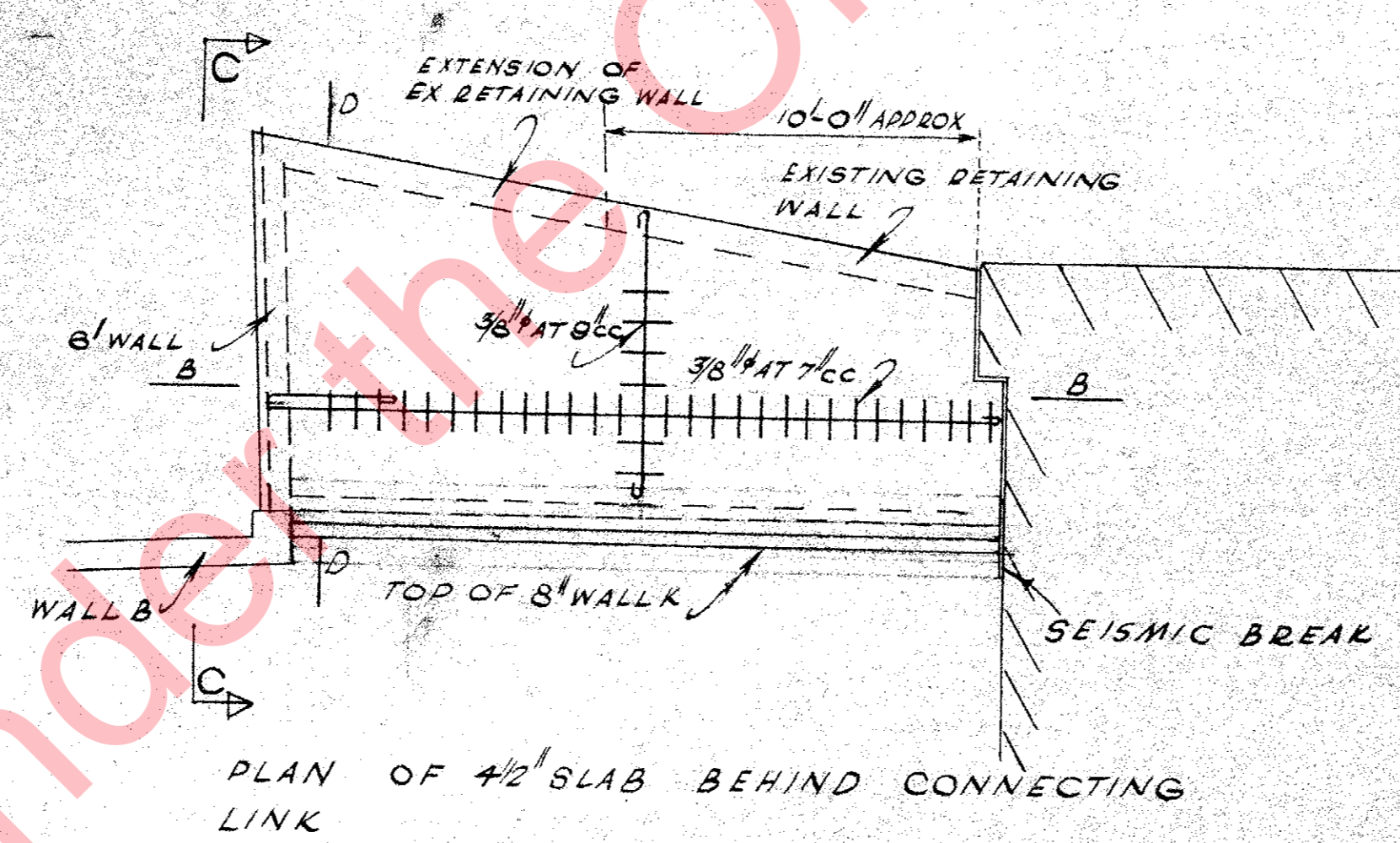
8" WALL G Scale 1/4" = 1'-0"



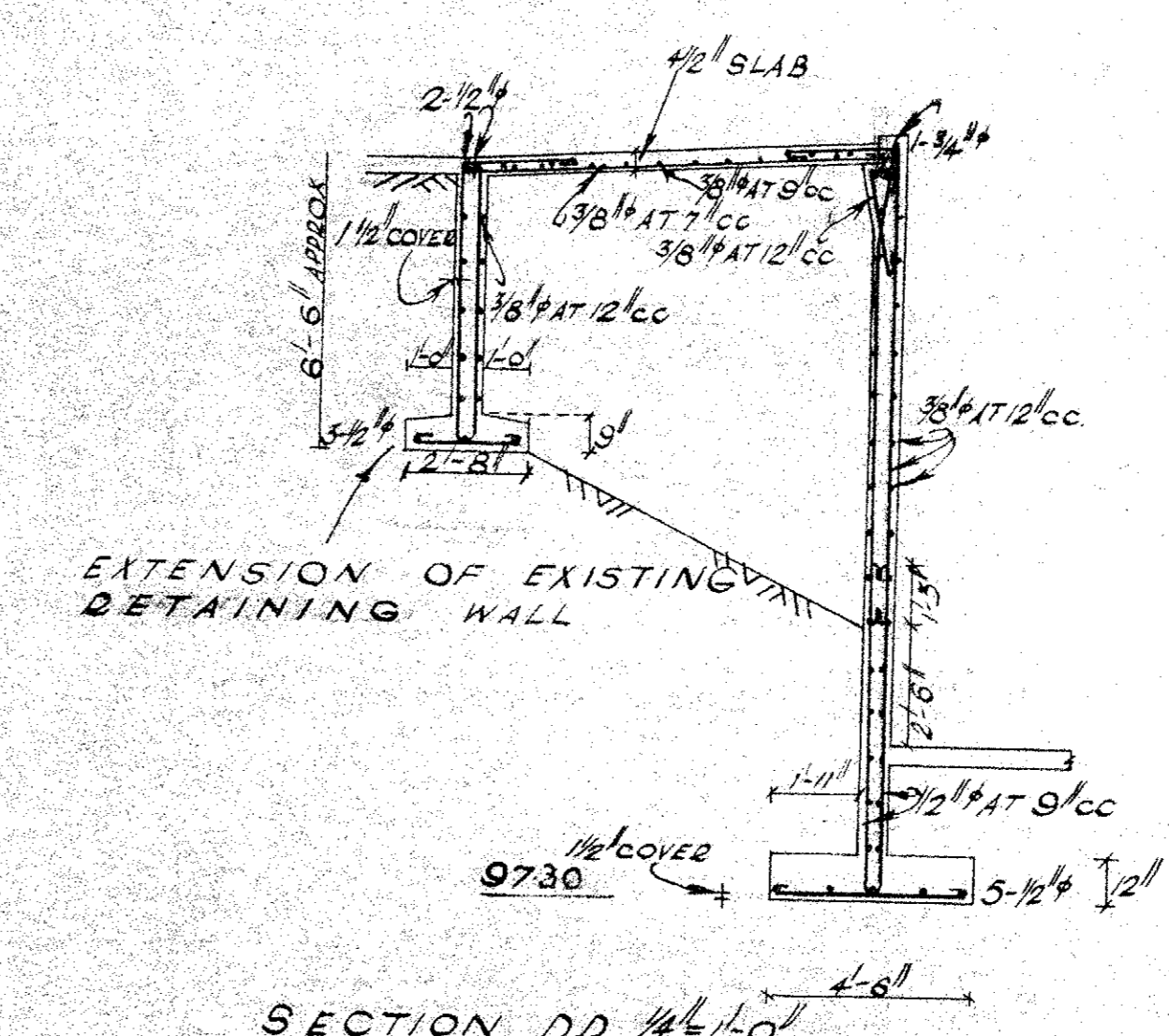
8" WALL C



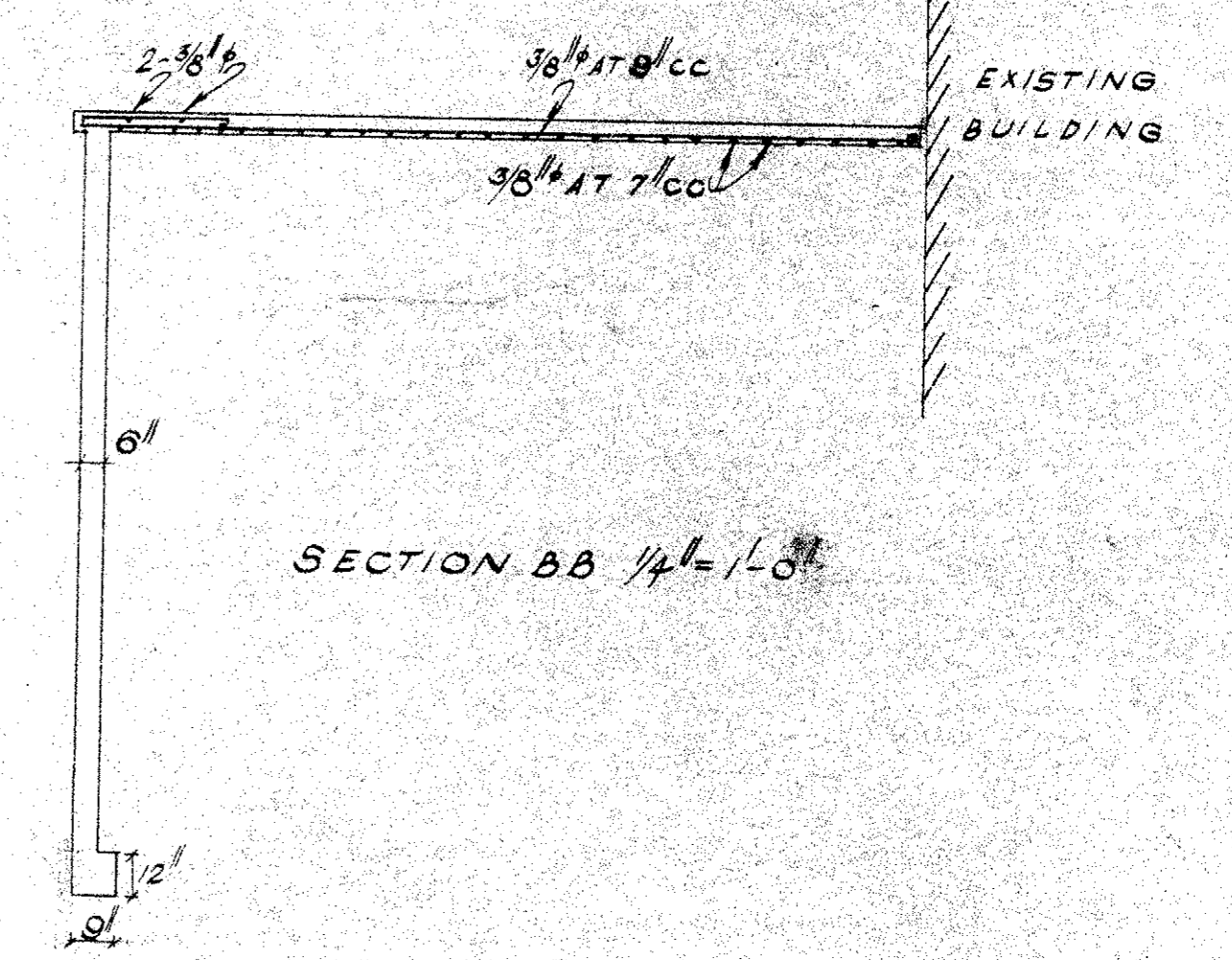
Scale 1/4" = 1'-0"



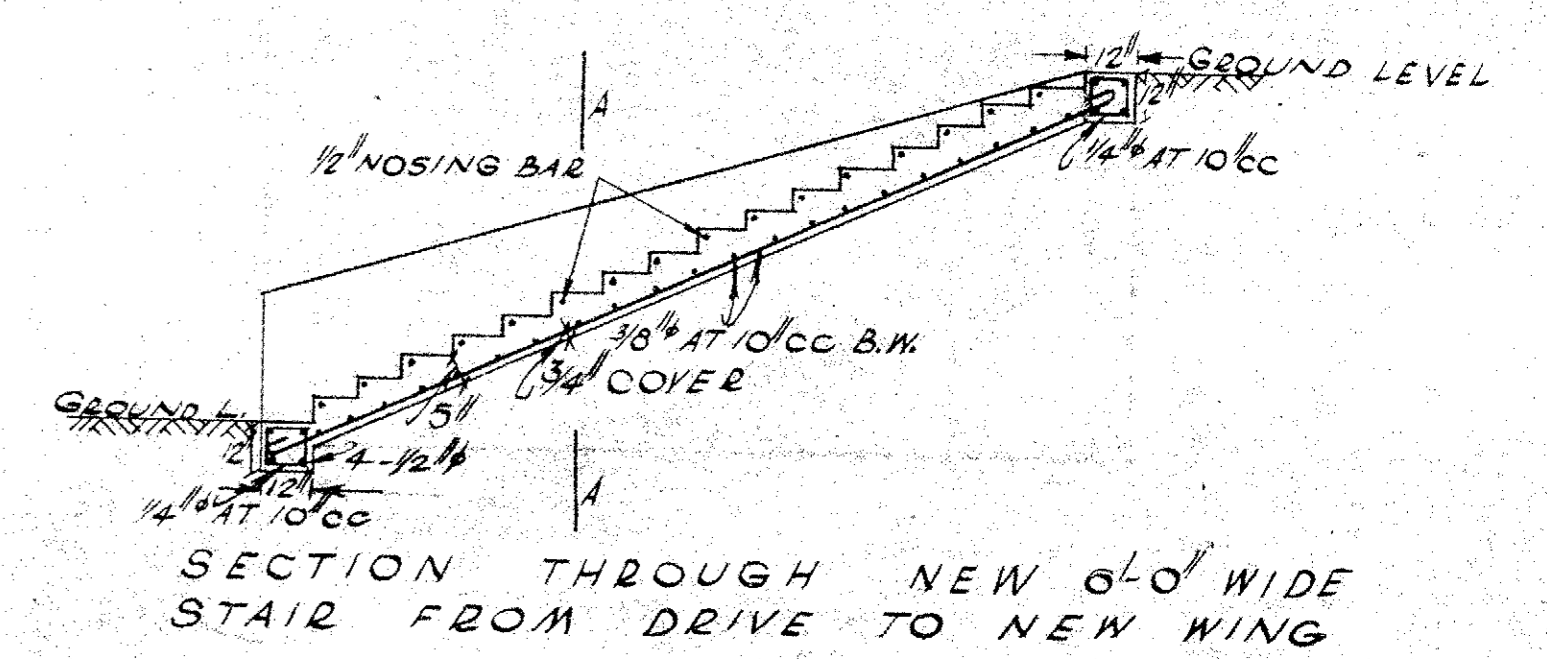
PLAN OF #2 SLAB BEHIND CONNECTING LINK SCALE 1/4" = 1'-0"



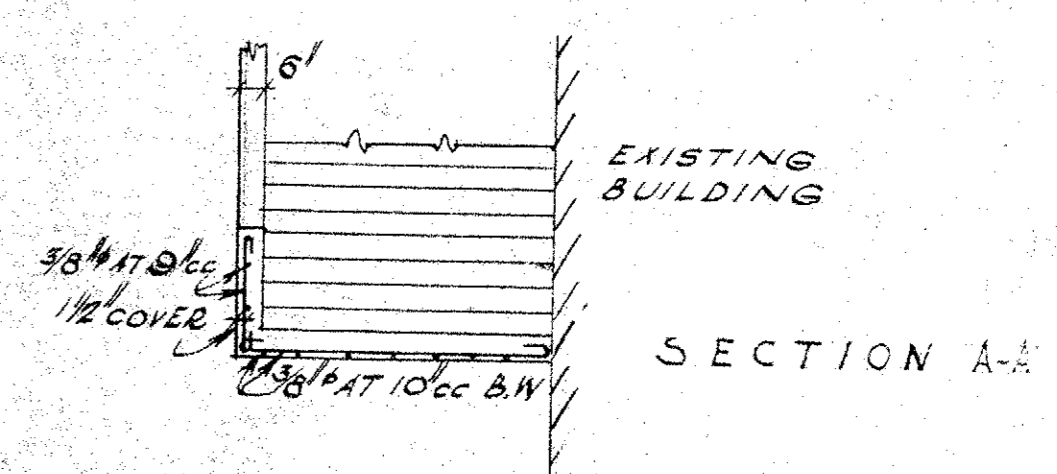
SECTION DD 1/4" = 1'-0"



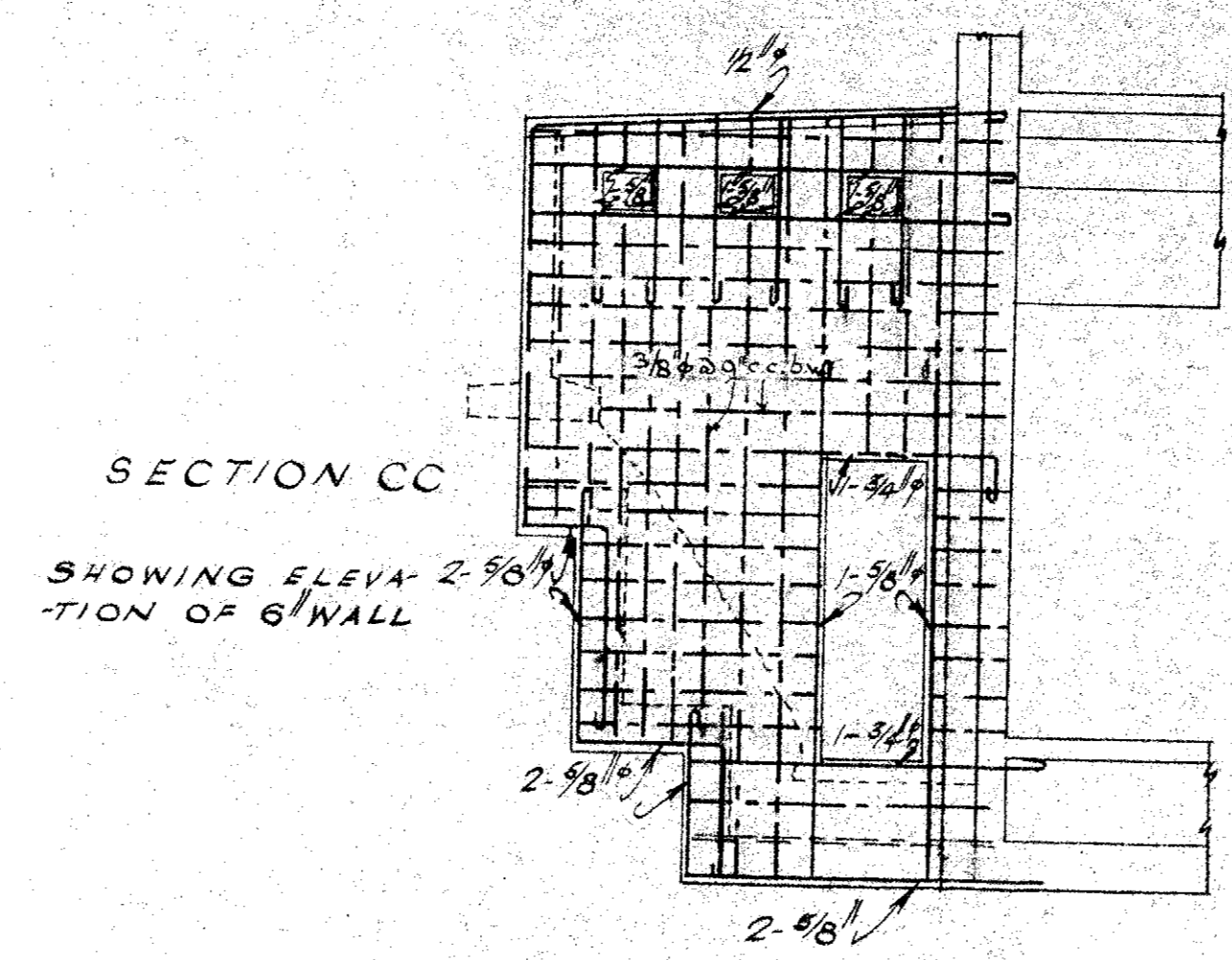
SECTION BB 1/4" = 1'-0"



SECTION THROUGH NEW 6'-0" WIDE STAIR FROM DRIVE TO NEW WING



SECTION A-A

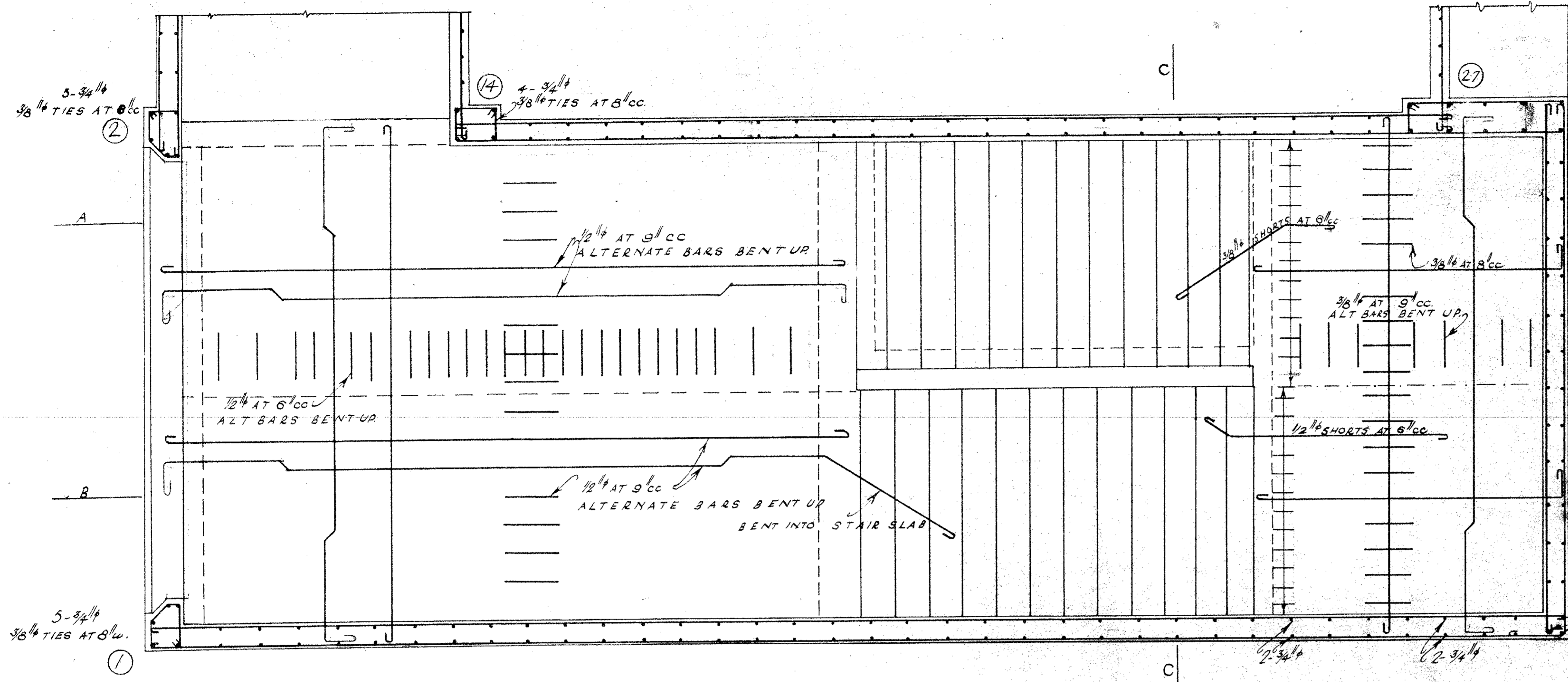


SECTION CC SHOWING ELEVATION OF 6' WALL

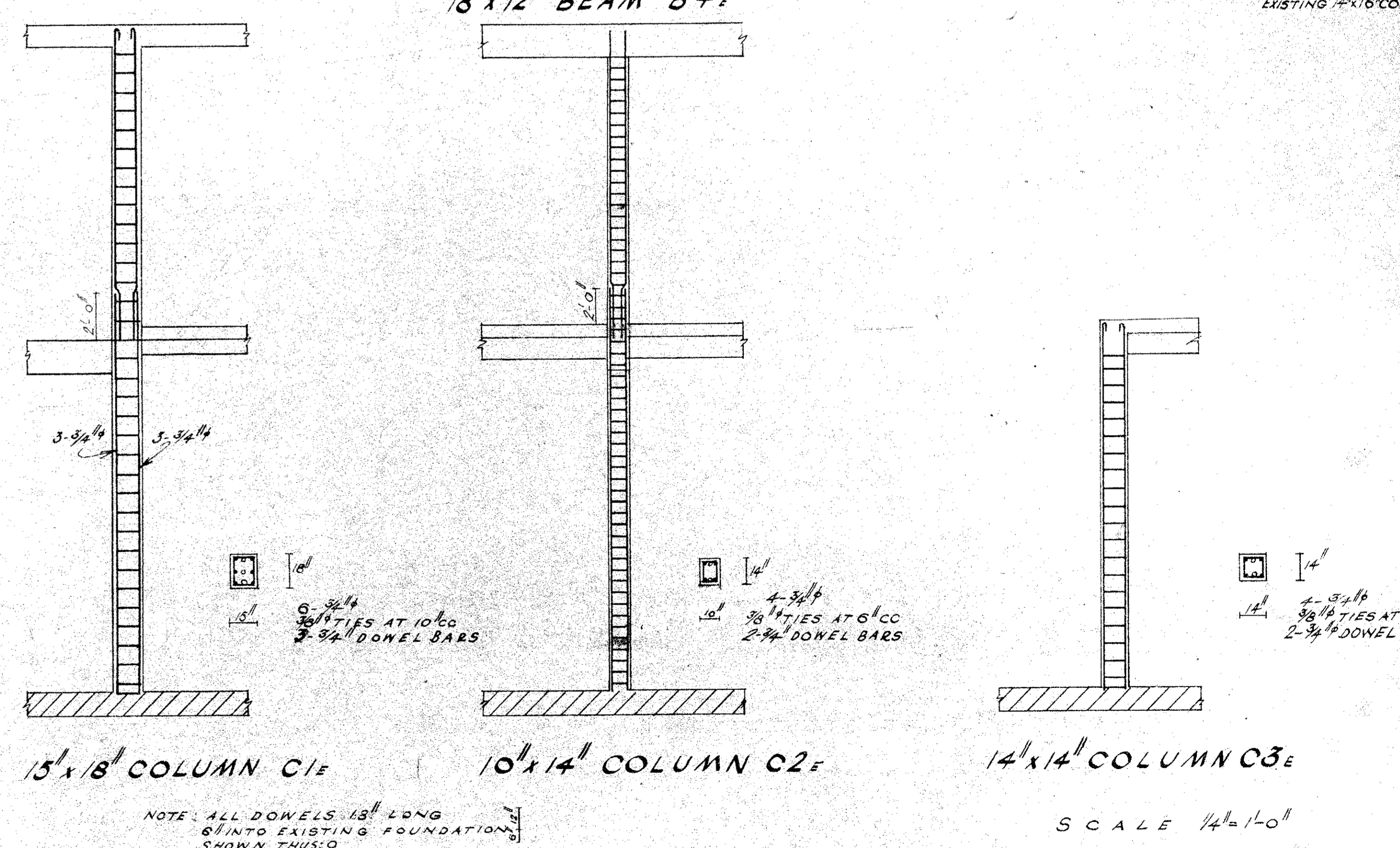
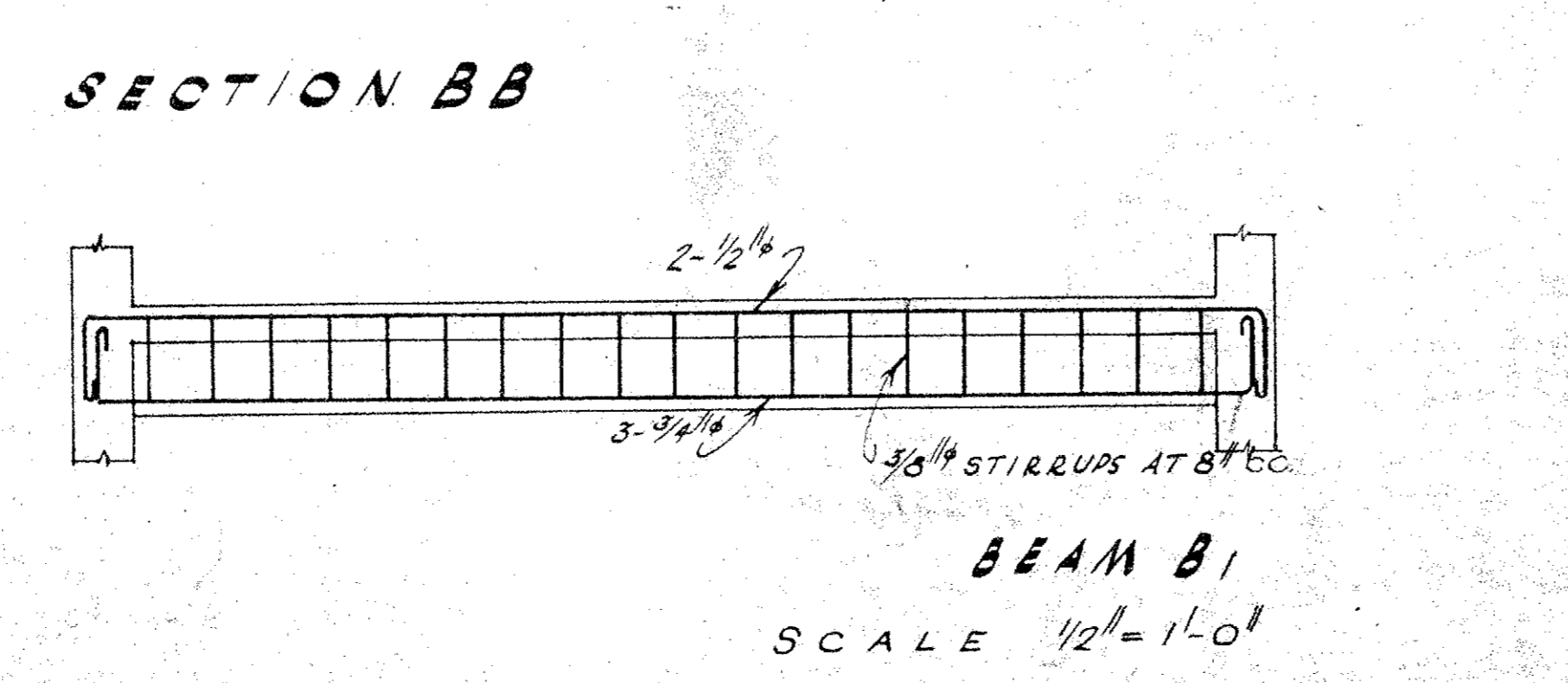
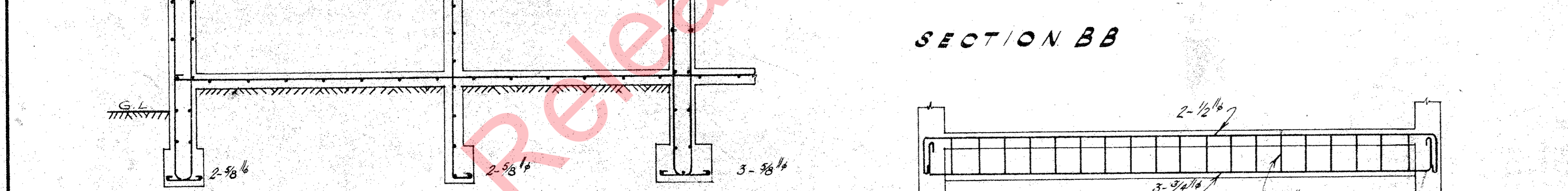
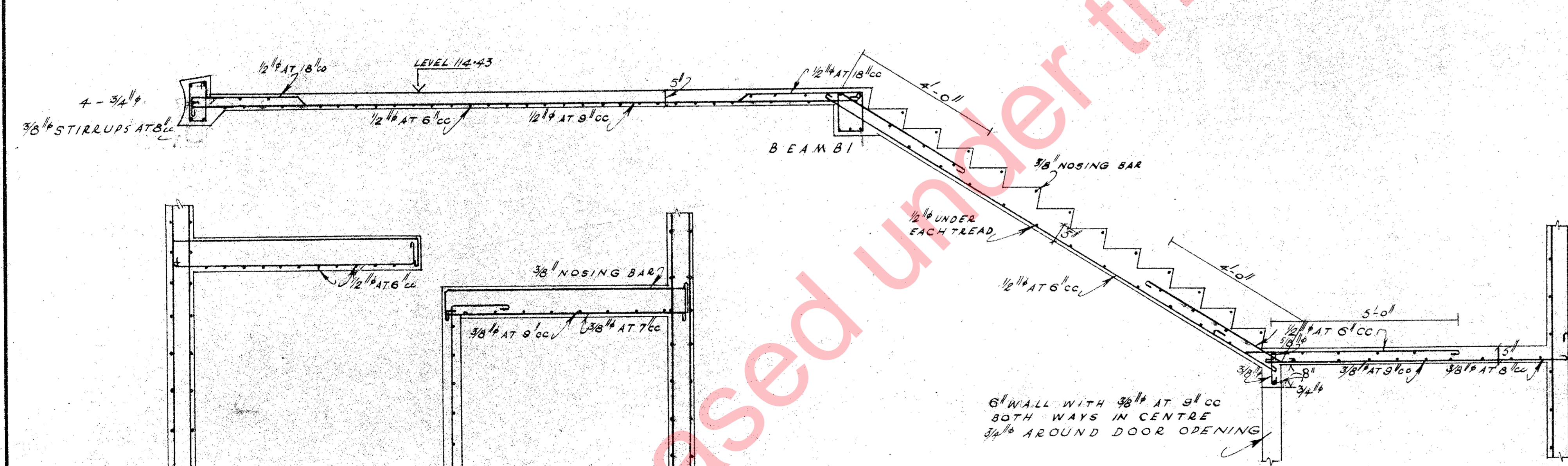
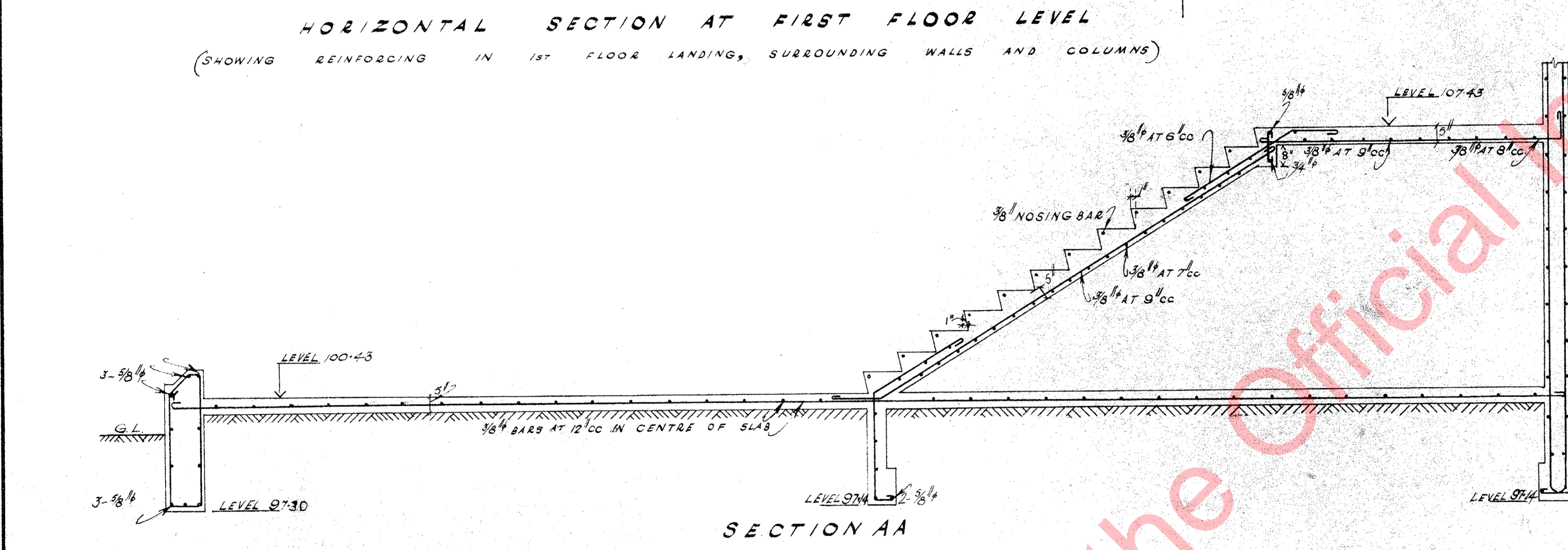
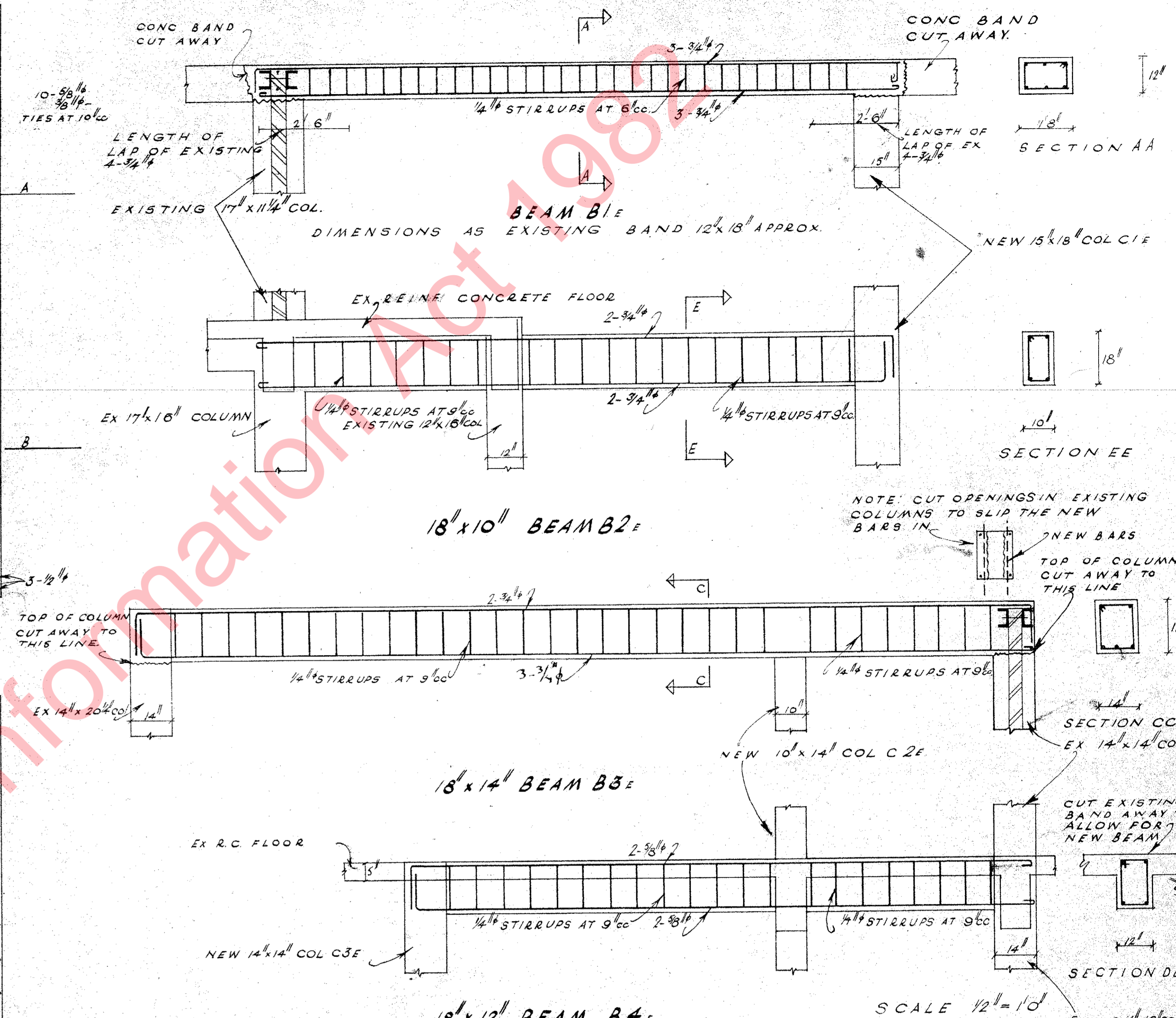
WELLINGTON EAST GIRLS COLLEGE
NEW WING
REINFORCING IN WALLS E, F, G, C, & K

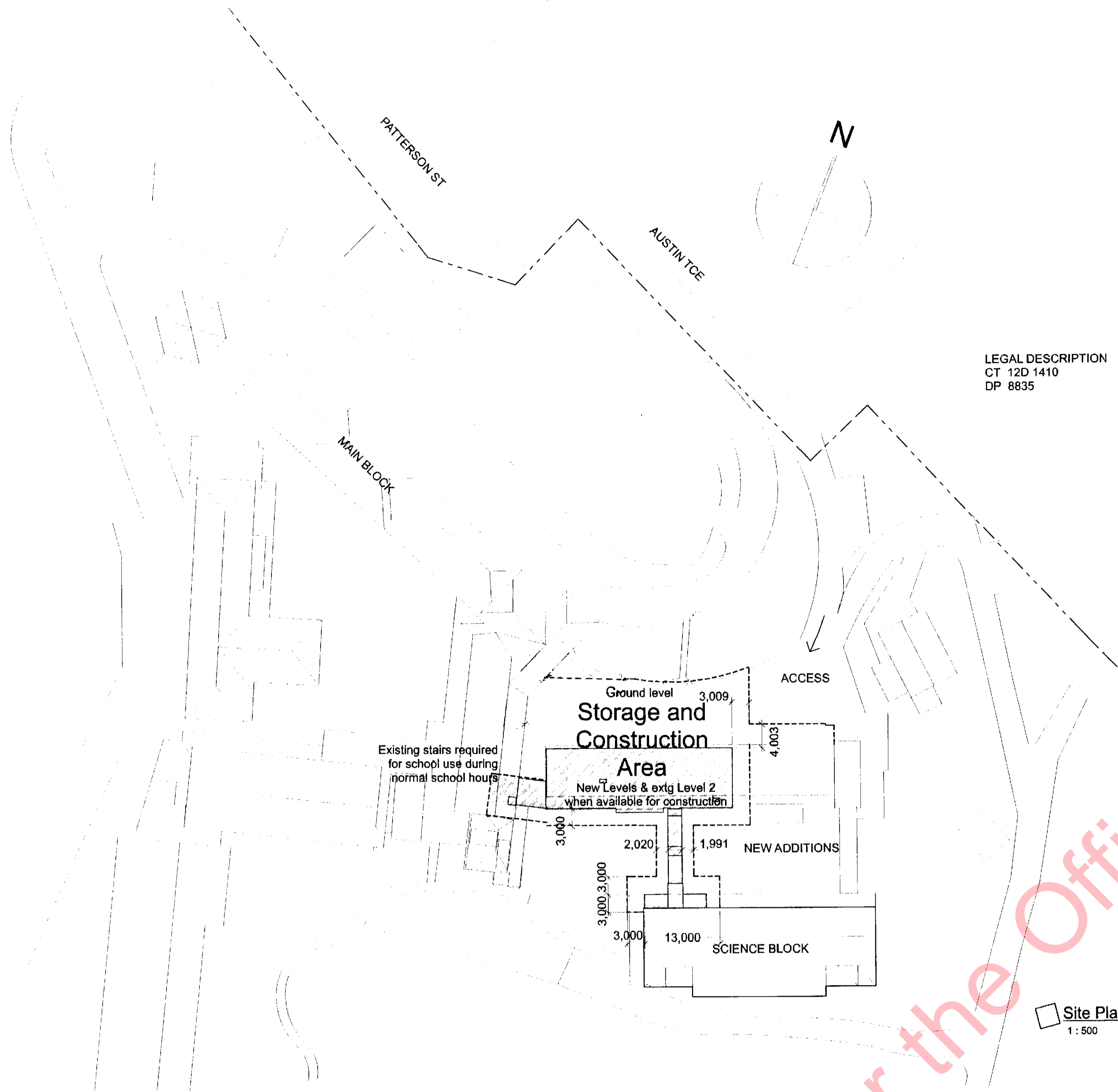
SCALES: 1/4" = 1'	MINISTRY OF WORKS ARCHITECTURAL DIV'N	JOB No. 52/35	SHEET No. 17
DRAWN: G.S.K. Oct. 22	F. GORDON WILSON ENZLIS GOVERNMENT ARCHITECT	FILE No. 13/1/45	
CHECKED: D.K. Feb. 53	J. BLAKE KELLY DISTRICT ARCHITECT		
		A.W.D. 20776	23

EAST ENTRANCE TO FOYER



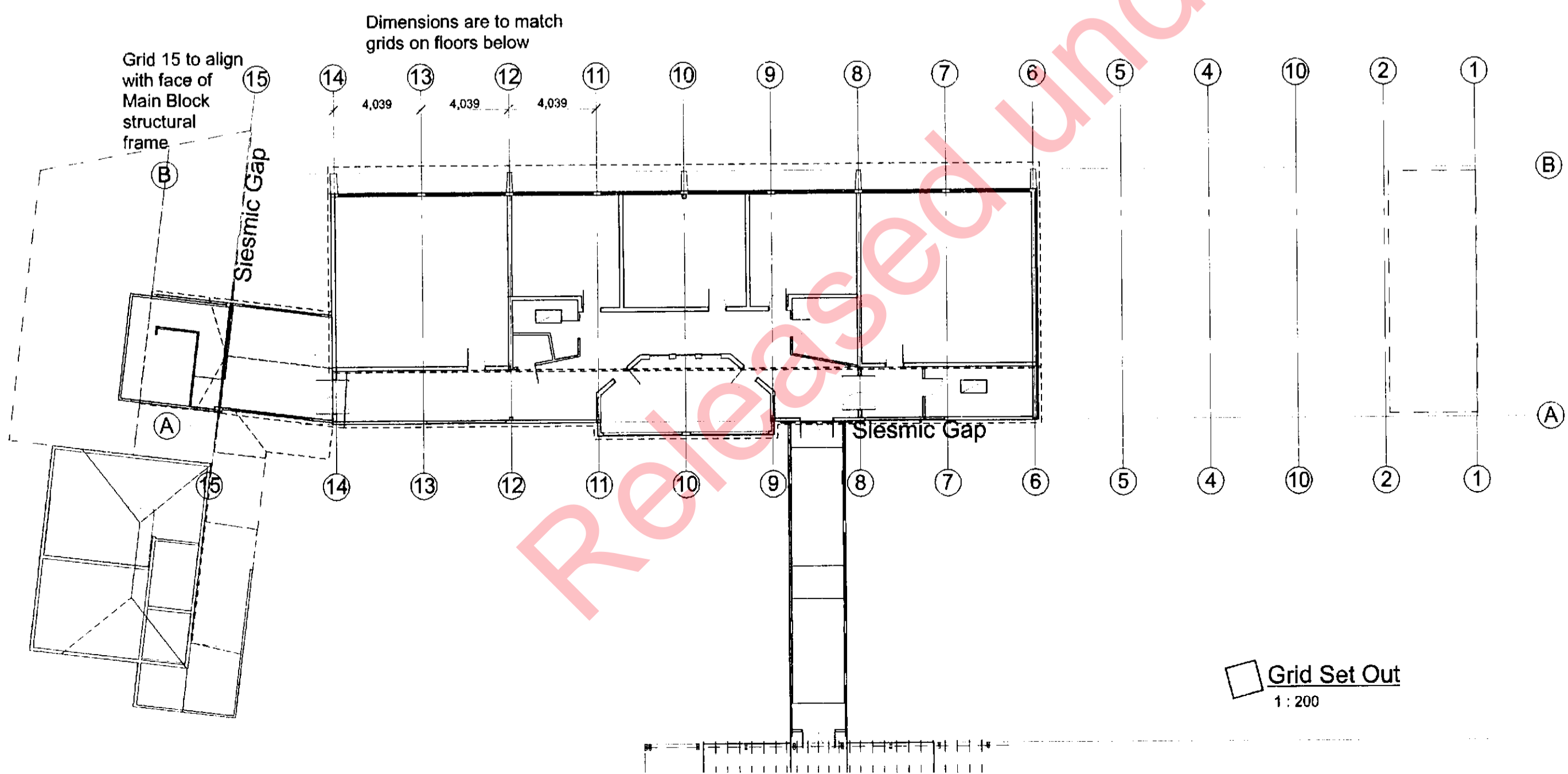
EXISTING BUILDING





LEGAL DESCRIPTION
CT 12D 1410
DP 8835

Site Plan
1:500



Wellington East Girls College

Drawing Index

Sheet #	Description	
100	Location and Site Plan	A
101	Existing and Demolition Plans	A
200	Proposed Plans	A
201	Stair and Foyer Plan	A
202	Floor Finishes	A
203	Roof / Reflected ceiling and Services Plans	A
300	Exterior Elevations	A
301	Cross Sections	A
302	Details - Building Envelope Plan	B
303	Details - Building Envelope- Roof	A
304	Details - Building Envelope- Base Junctions	B
305	Details - Bridge	A
306	D&W Schedule + Details	A
400	Interior Elevations	A
401	Fixtures and Fittings	A

KEY / NOTES

Wellington East Girls College

East Block Classroom Additions

Tender Issue

REV	Description	Approval	Date
A	Tender Issue	NAO	16/8/05

Location and Site Plan

Original Sheet A1

Scale 1:500

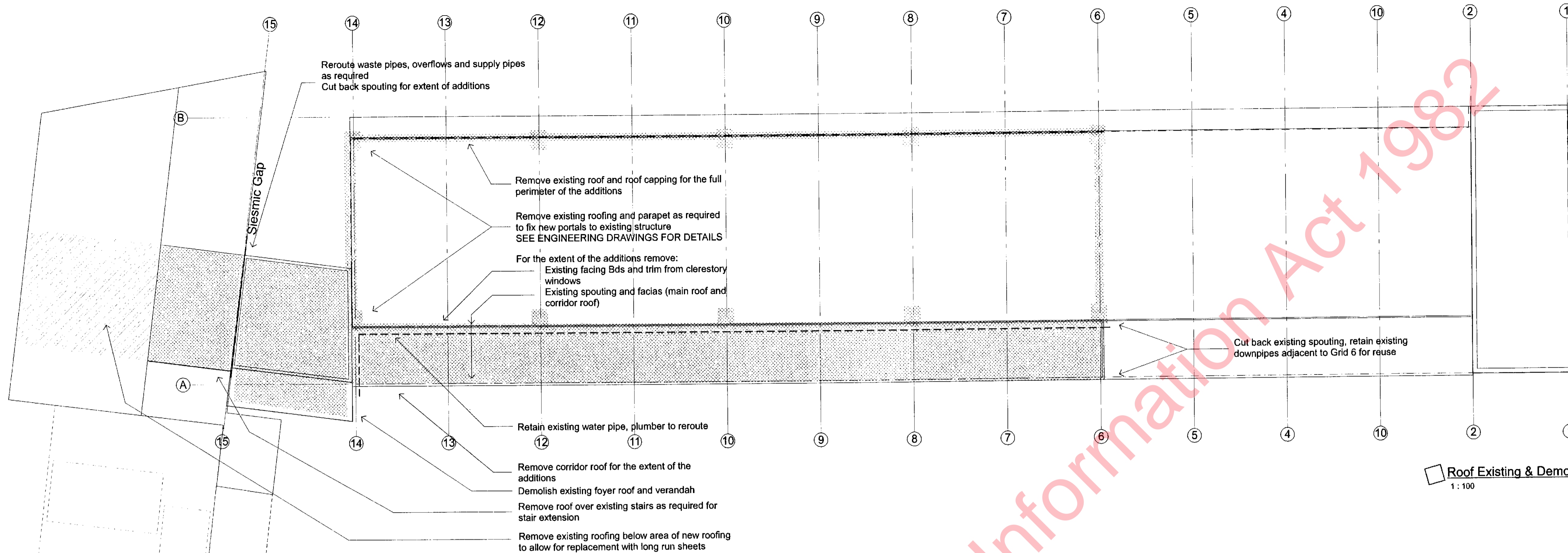
Job 0501

Sheet Number 100

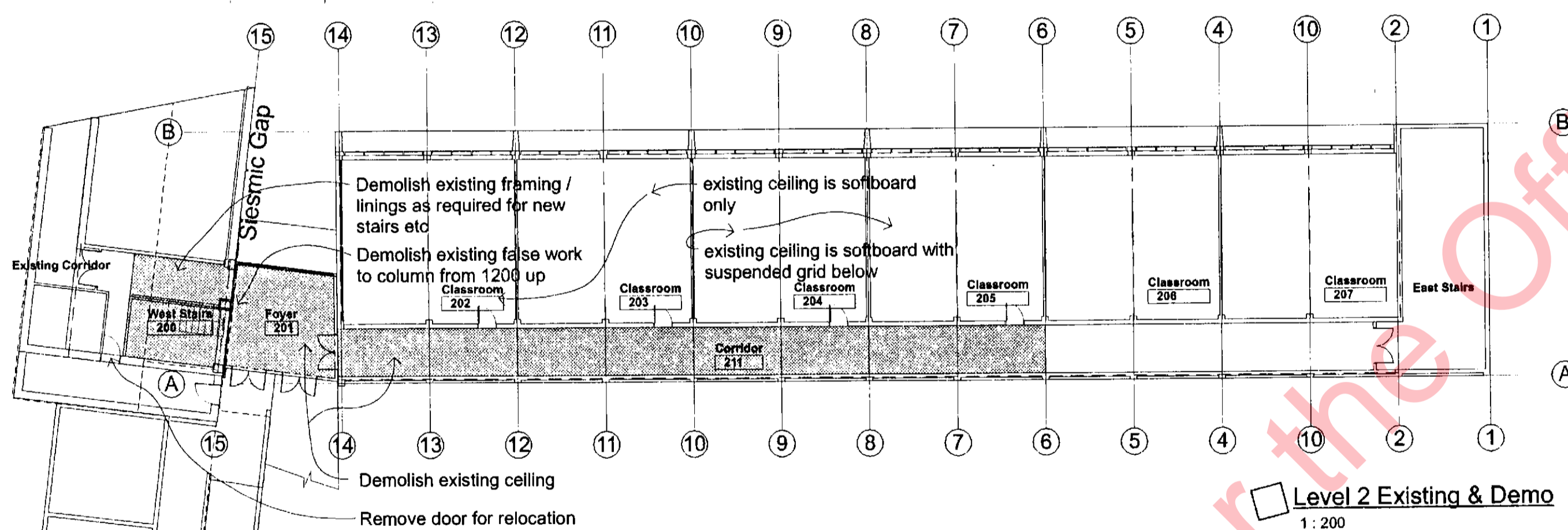
Revision

PO BOX 24-120
47 CUBA ST
WELLINGTON, NZ
PH 04 472 3502

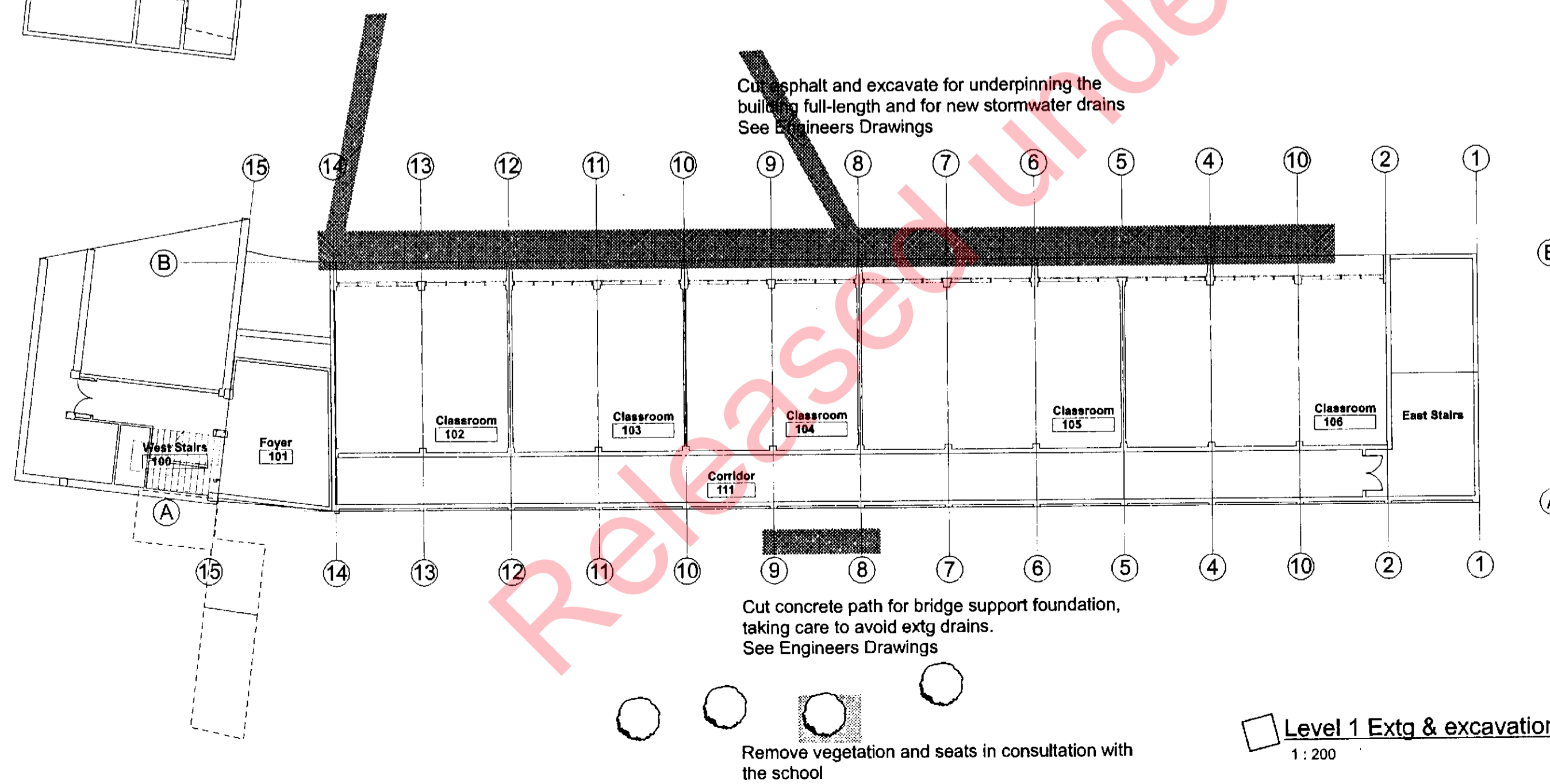
JOYNA CRISTELLER ARCHITECT



Roof Existing & Demo
1:100



Level 2 Existing & Demo
1:200



Level 1 Extg & excavation
1:200



KEY / NOTES
Client
Wellington East Girls College
Job Title
East Block Classroom Additions
Drawing Status
Pre Issue

REV	Description	Approval	Date
A	TEAMER ISSUE	NAD	16/01/05

Notes: Revisions for initial and consultant use only.
Drawings (DWG) are to be used for construction if marked FOR CONSTRUCTION.
All dimensions to be verified on site before fabrication.
Copyright in this drawing is reserved.

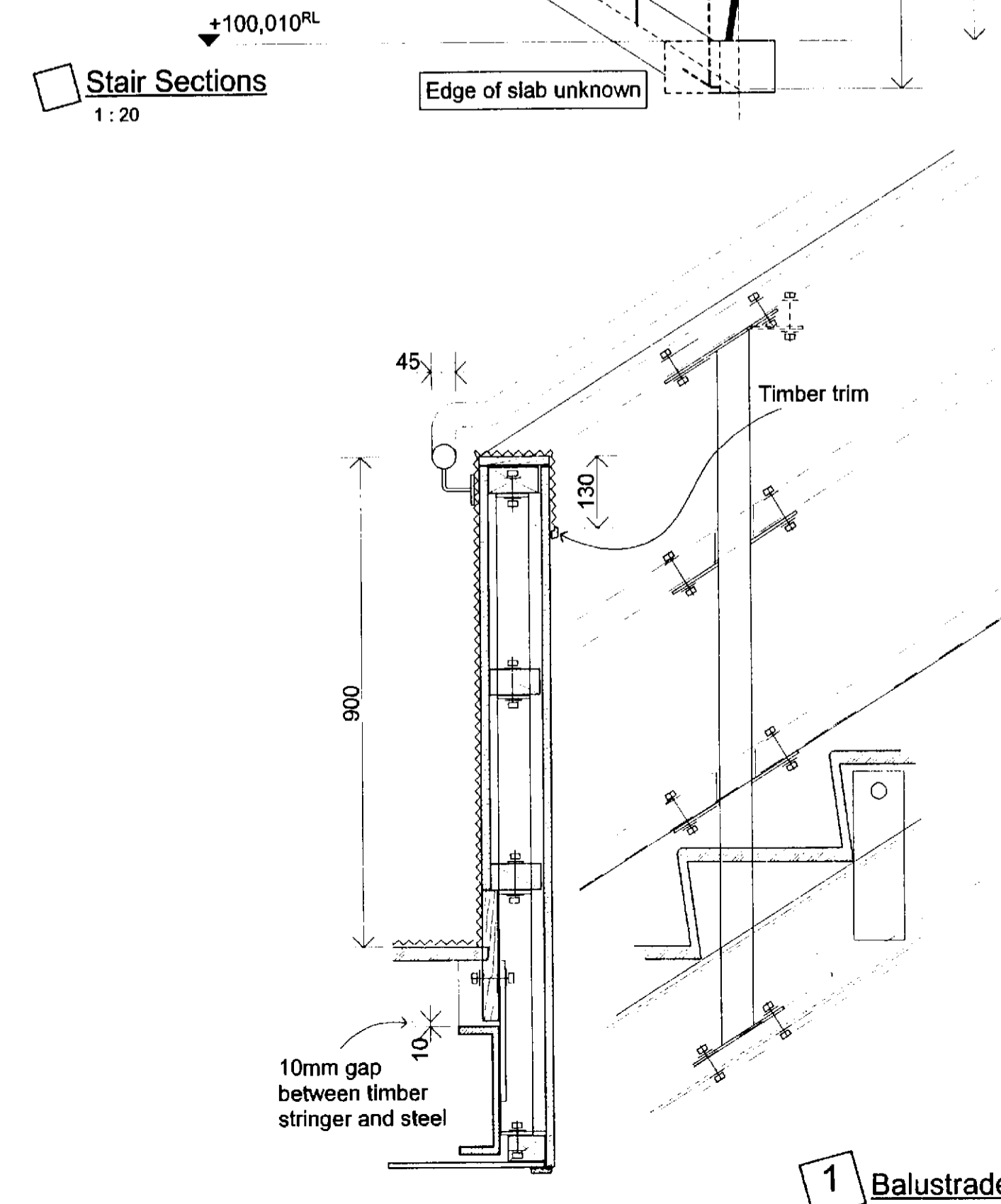
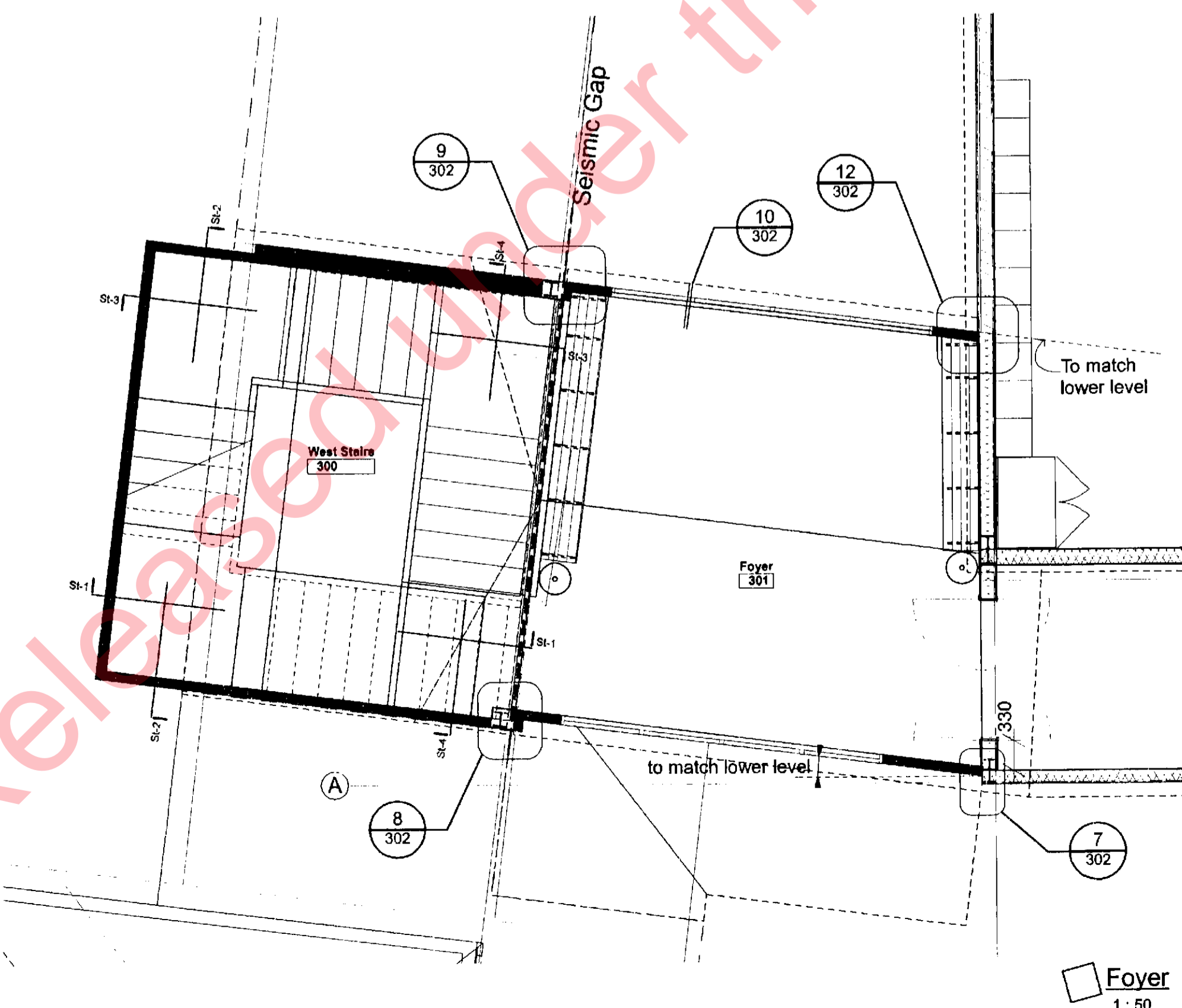
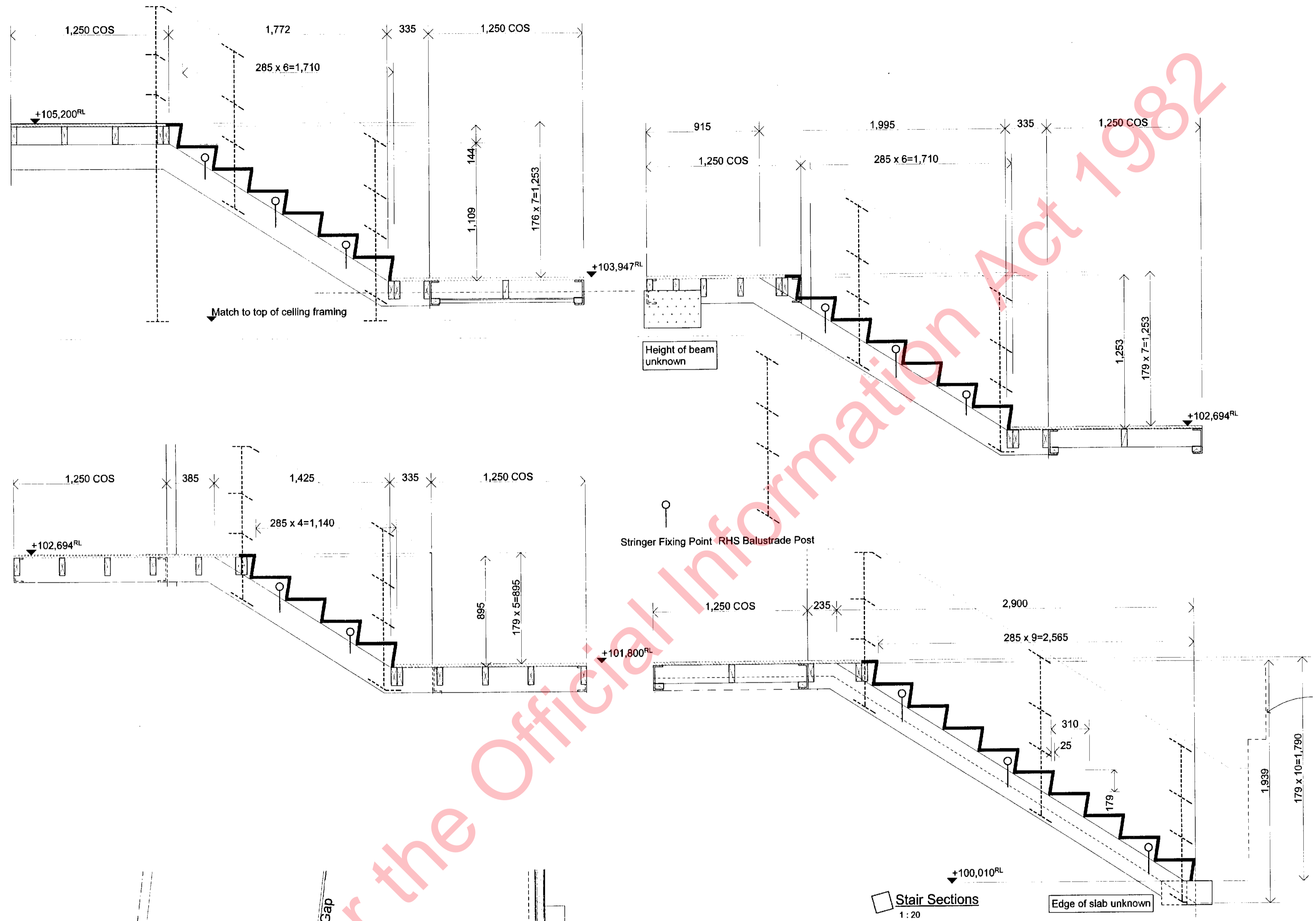
Existing & Demolition Plans

Original Sheet A1
Drawn
Checked FMC
Printed

Scale
Job
0501
Sheet Number
101
Revision

PO BOX 24-120
47 CUBA ST
WELLINGTON, NZ
PH 04 472 3502

RONA CHRISTIE ARCHITECT



**W.C.C.
RECORDS**

KEY / NOTES

Client: Wellington East Girls College

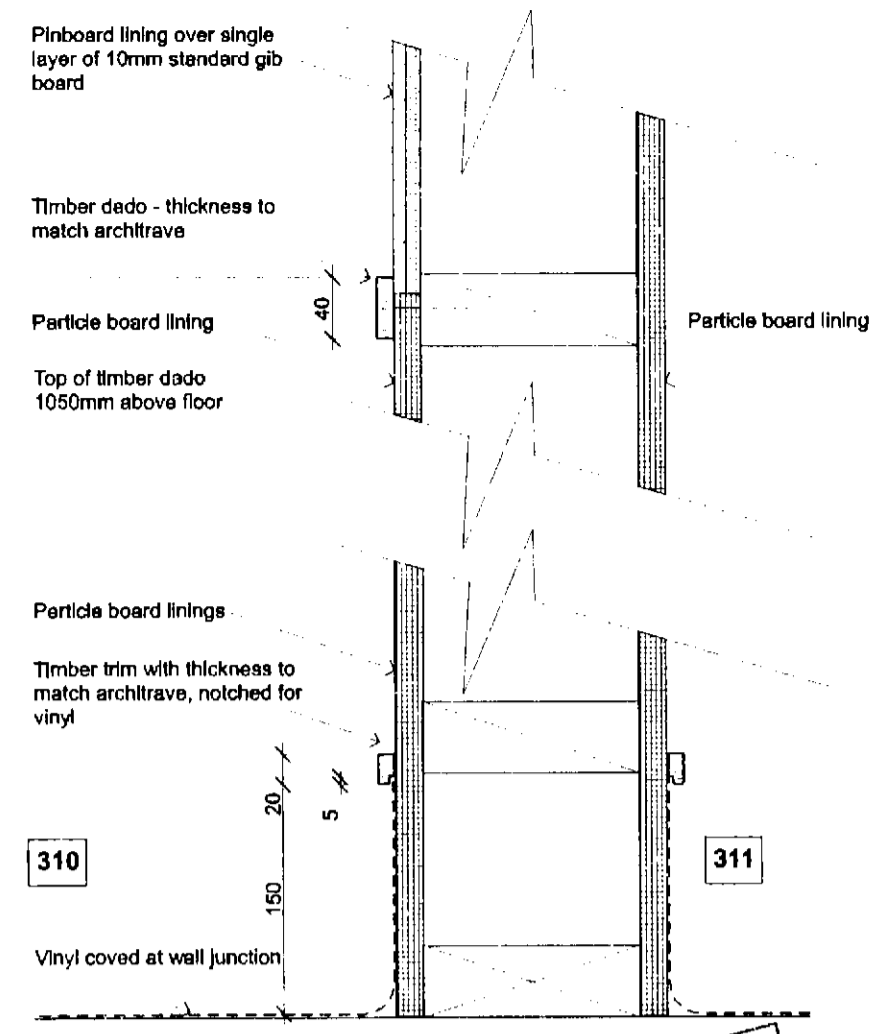
Job Title: East Block Classroom Additions

Drawing Status: Tender Issue

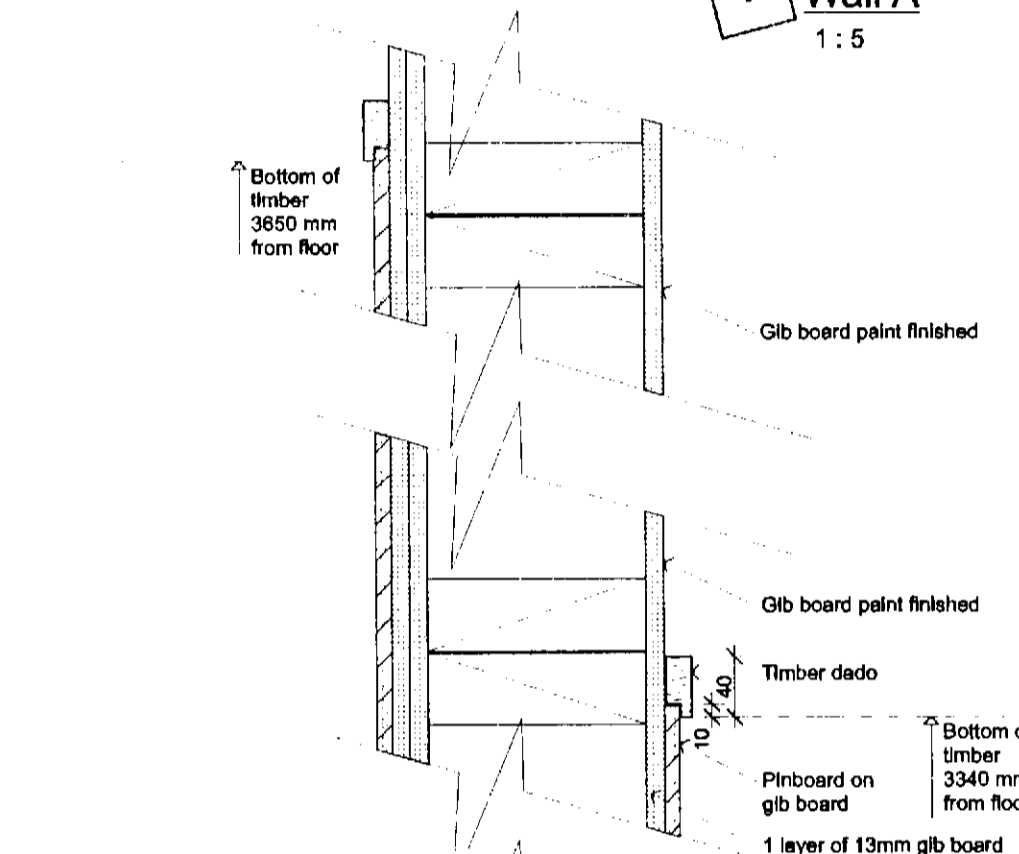
REV	Description	Approval	Date
A	Tender Issue	NAO	16/8/05

Stairs & Foyer

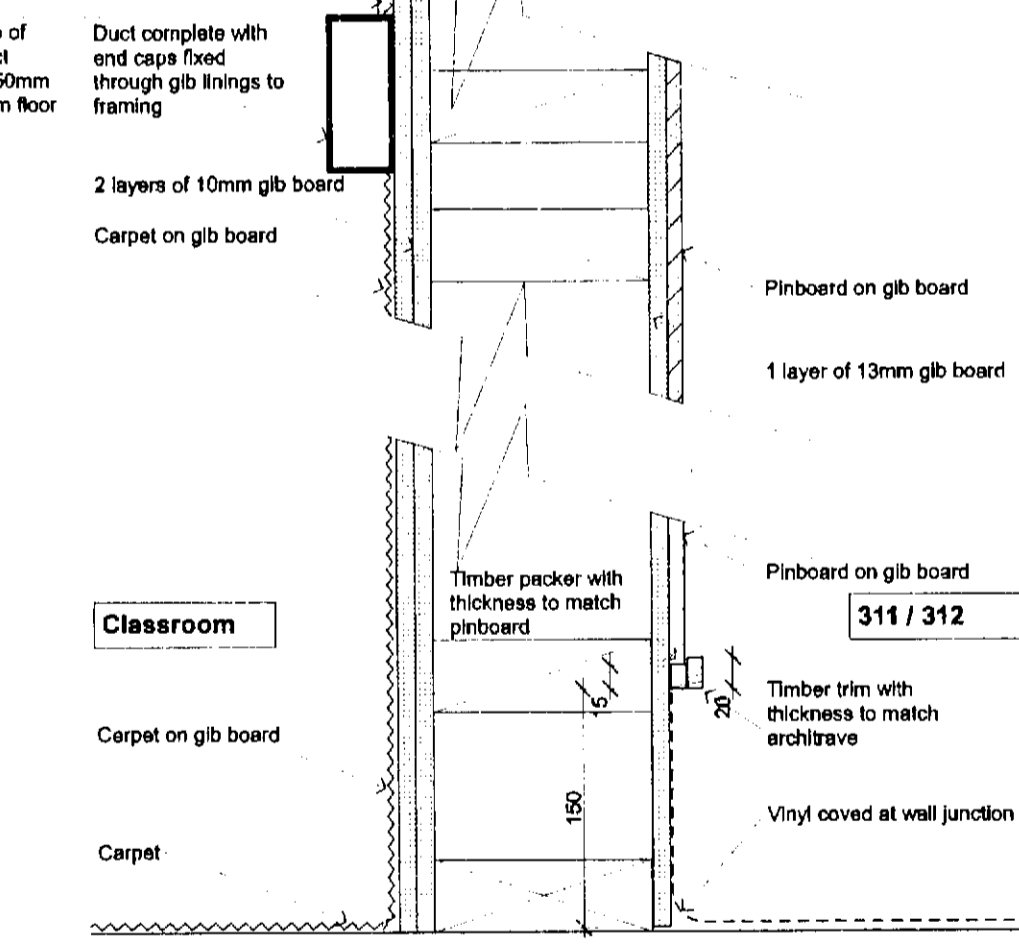
Original Sheet A1
 Drawn
 Checked *ful*
 Job Number 0501
 Street Number 201
 PO BOX 24-120
 47 CUBA ST
 WELLINGTON, NZ
 PH 04 472 3502



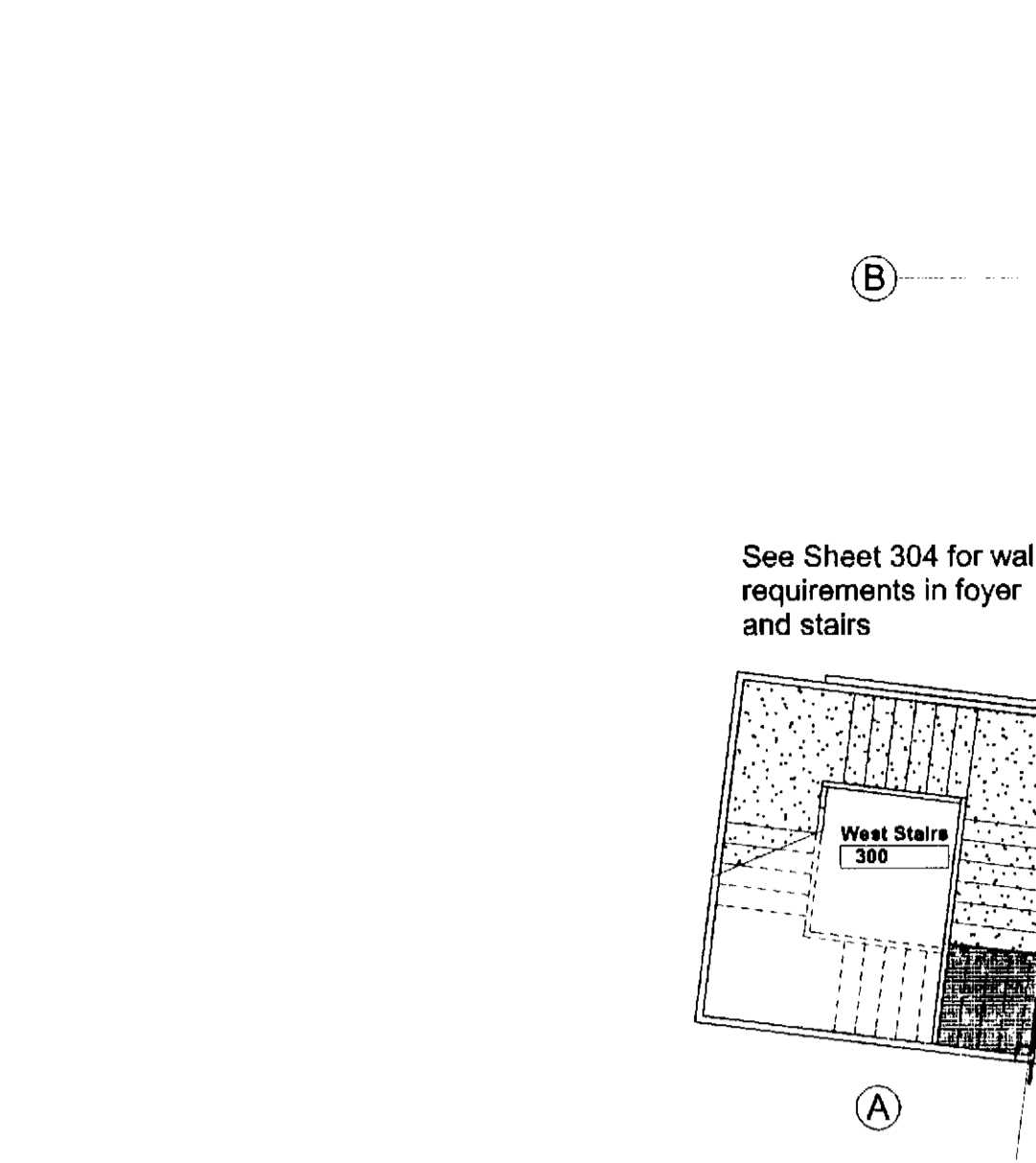
1 Wall A
1:5



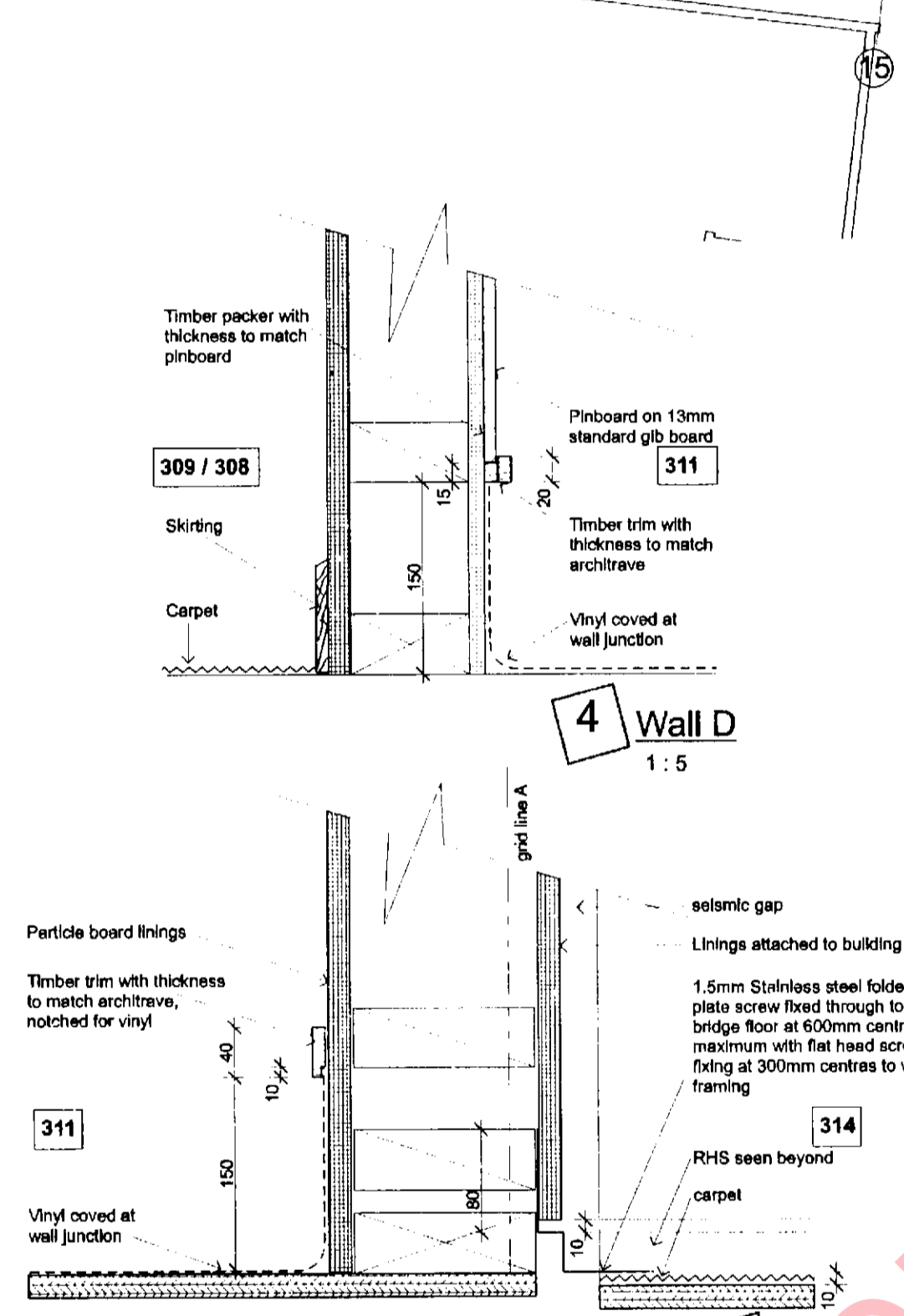
2 Wall B
1:5



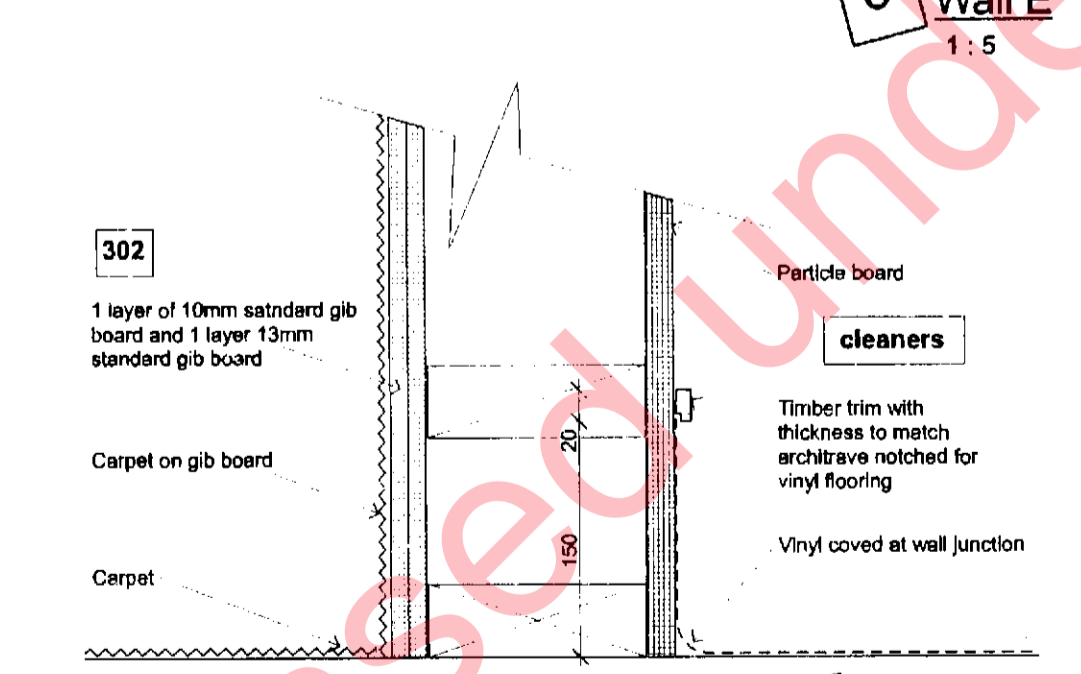
3 Wall C
1:5



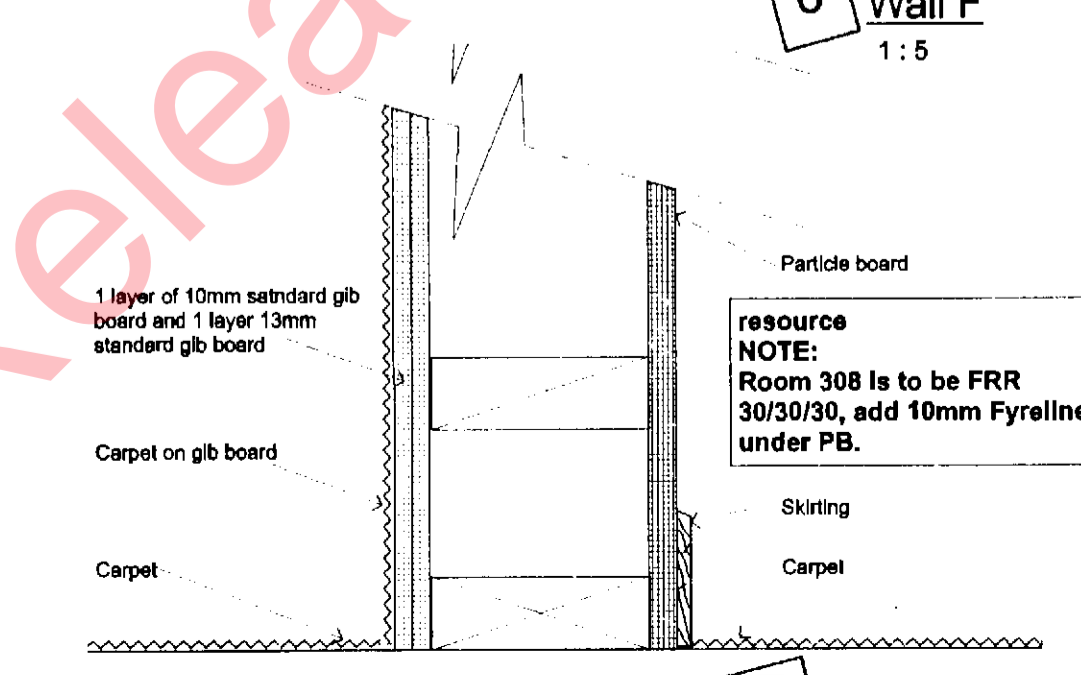
4 Wall D
1:5



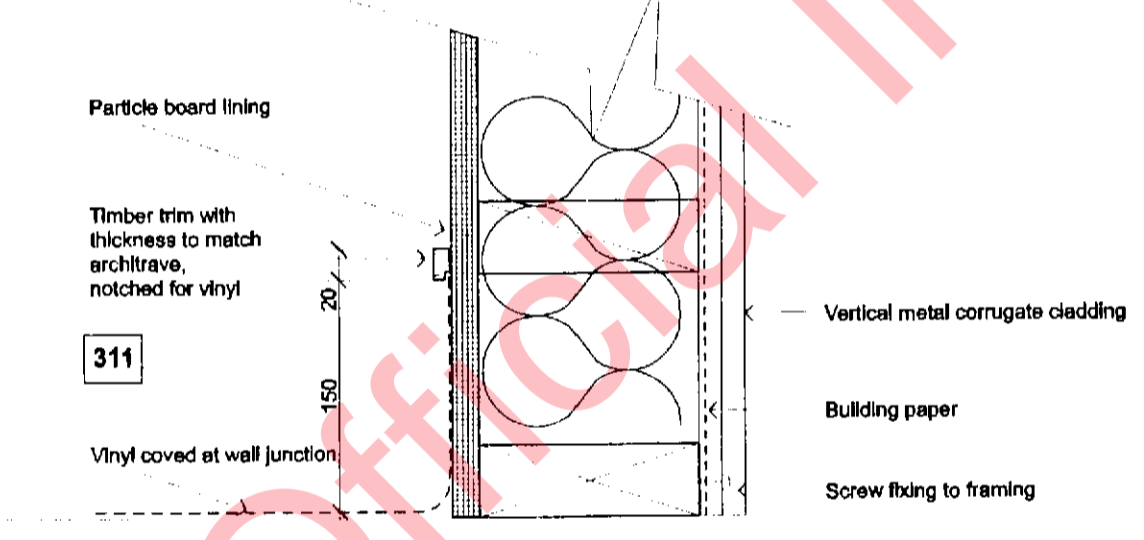
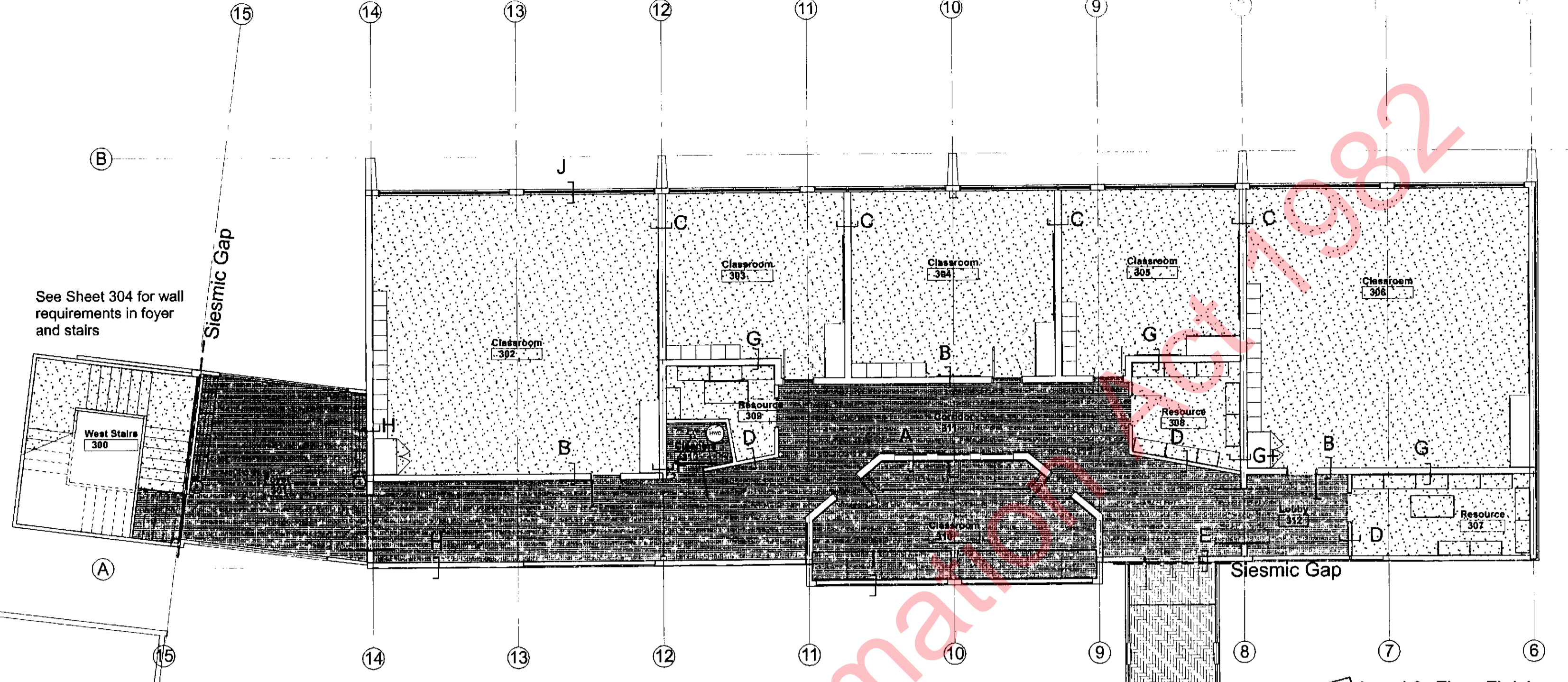
5 Wall E
1:5



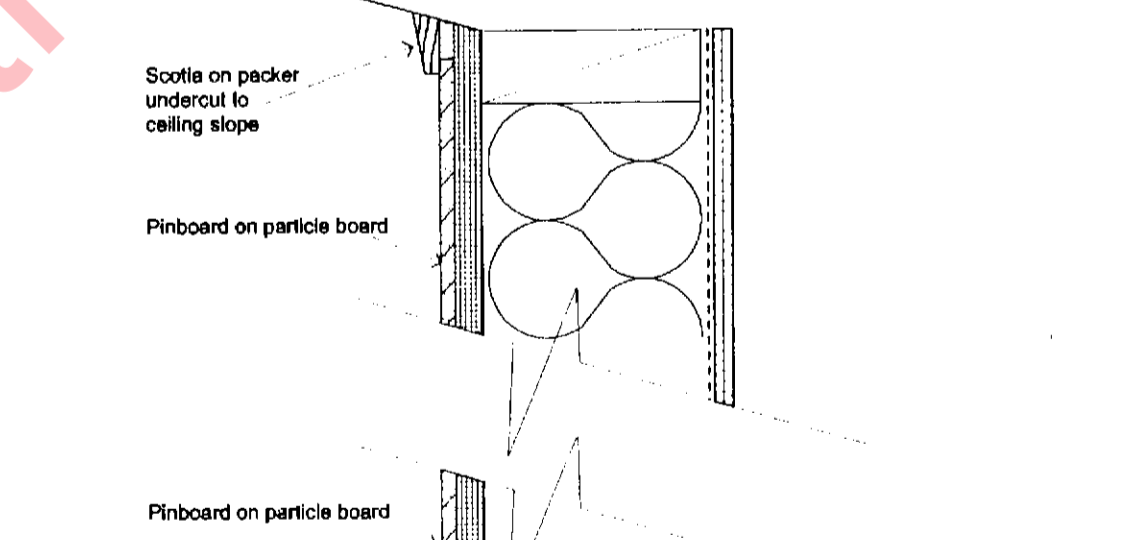
6 Wall F
1:5



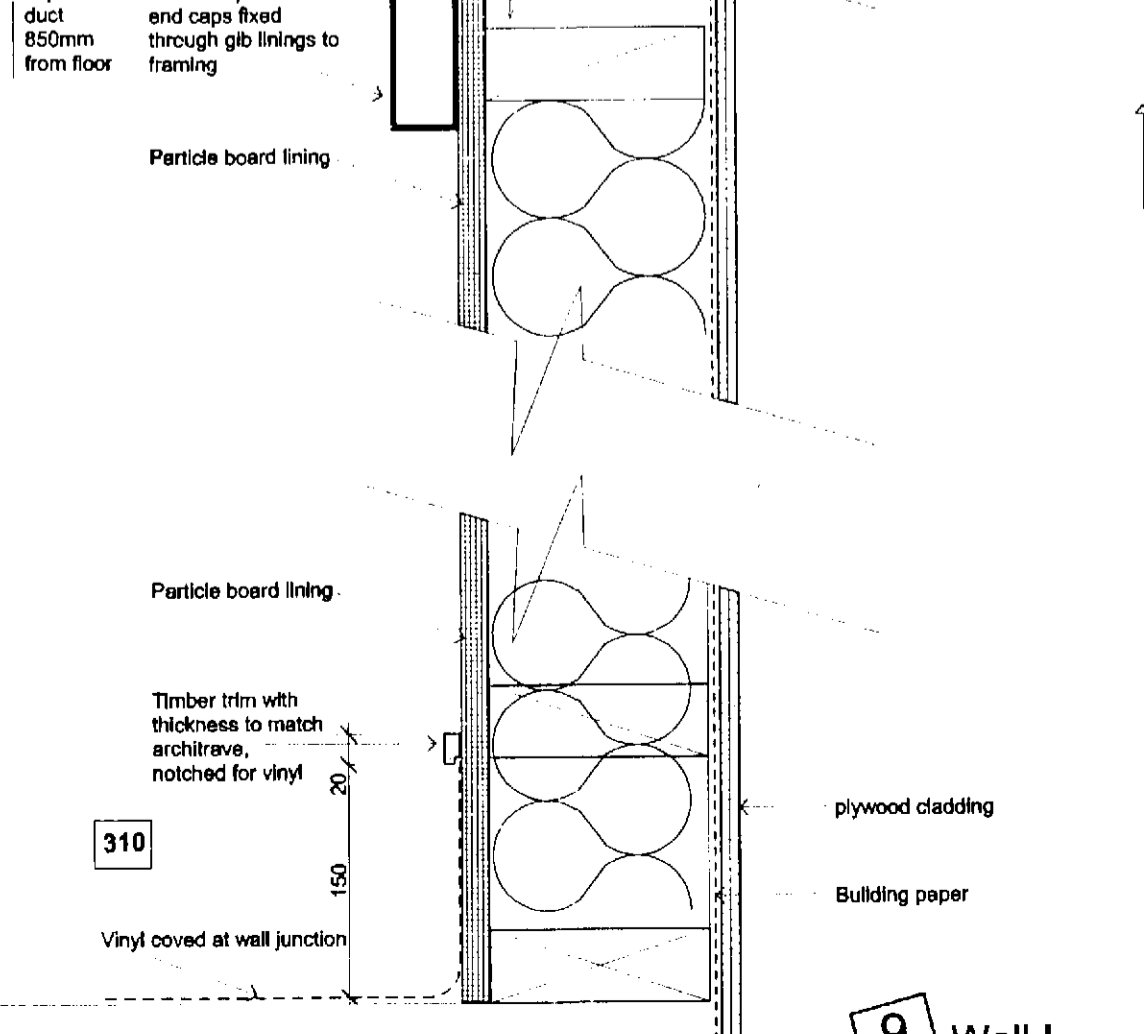
7 Wall G
1:5



8 Wall H
1:5



9 Wall I
1:5



10 Wall J
1:5

- FLOOR FINISHES**
- Synthetic Carpet
 - Vinyl
 - Carpet
 - Concrete exposed aggregate

W.C.C. RECORDS

KEY / NOTES
 Client Wellington East Girls College
 Job Title East Block Classroom Additions
 Drawing Status Tender Issue

REV	Description	NAO	Date
A	Tender Issue	NAO	16/8/05

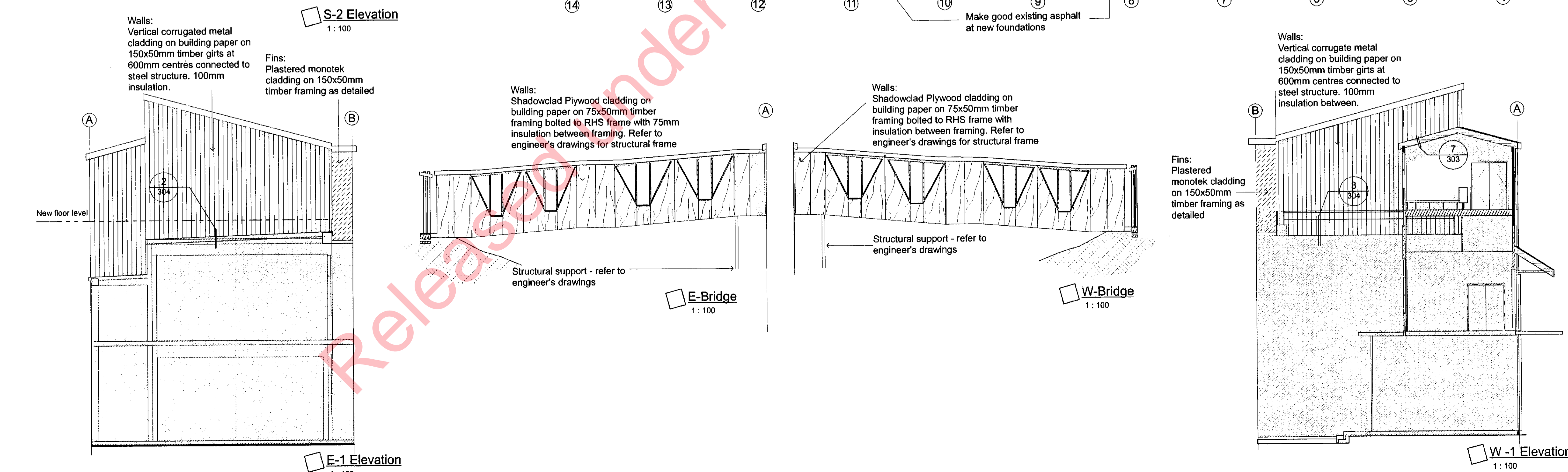
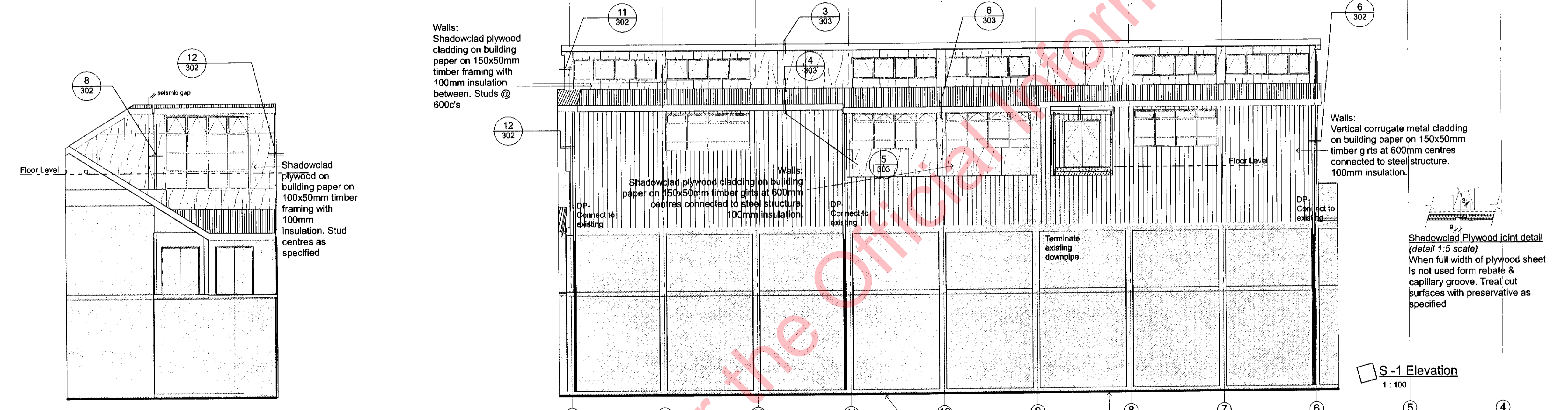
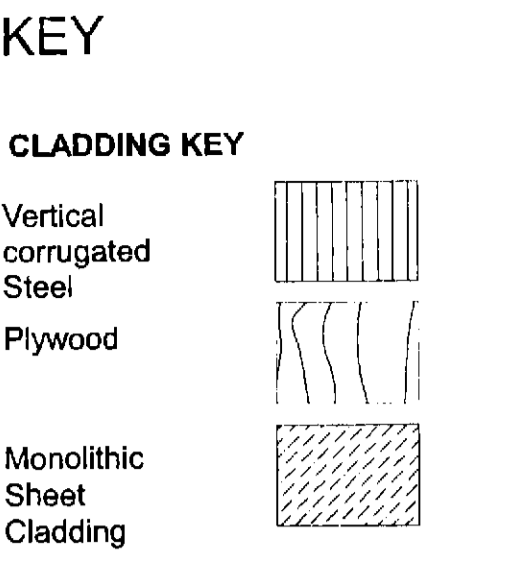
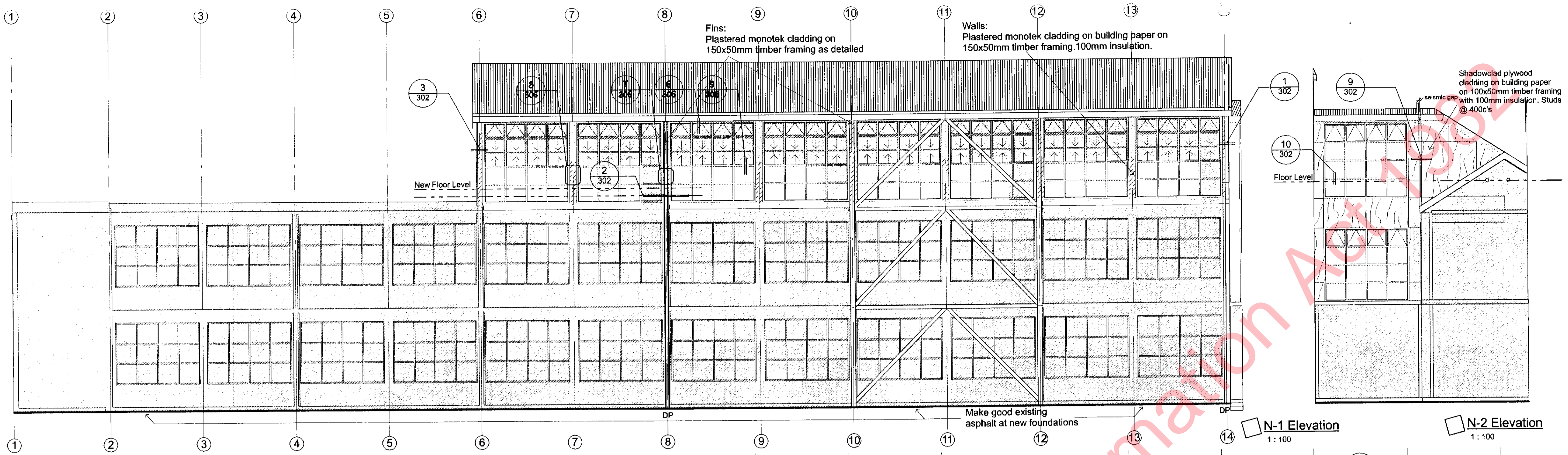
NUMERIC REVISIONS FOR INTERVAL AND CONSULTANT USE ONLY.
 DRAWING ONLY TO BE USED FOR CONSTRUCTION IF MARKED FOR CONSTRUCTION.
 ALL DIMENSIONS TO BE VERIFIED ON SITE BEFORE APPLICATION.
 COPYRIGHT ON THIS DRAWING IS RESERVED.

Floor Finishes

Original Sheet A1
 Drawn Job
 Checked 0501
 Puc
 Sheet Number 202
 Revision

PO BOX 24-120
 47 CUBA ST
 WELLINGTON, NZ
 PH 04 472 3502

PHONA CHRISTIE ARCHITECT



W.C.C. RECORDS

KEY / NOTES

Client: Wellington East Girls College

Job Title: East Block Classroom Additions

Drawing Status: Tender Issue

REV Description

NAO 16/8/05

Approval Date

Copyright on this drawing is reserved

Exterior Elevations

Original Sheet A1

Drawn

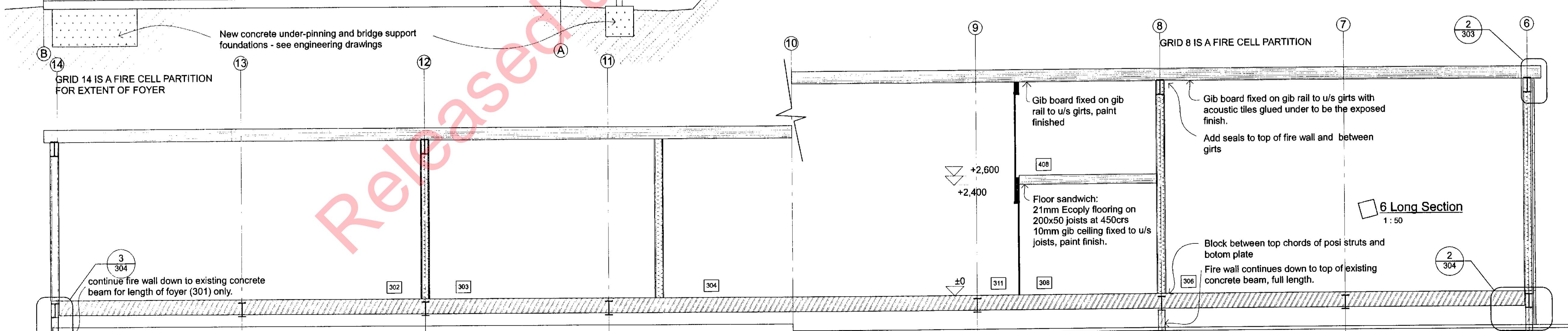
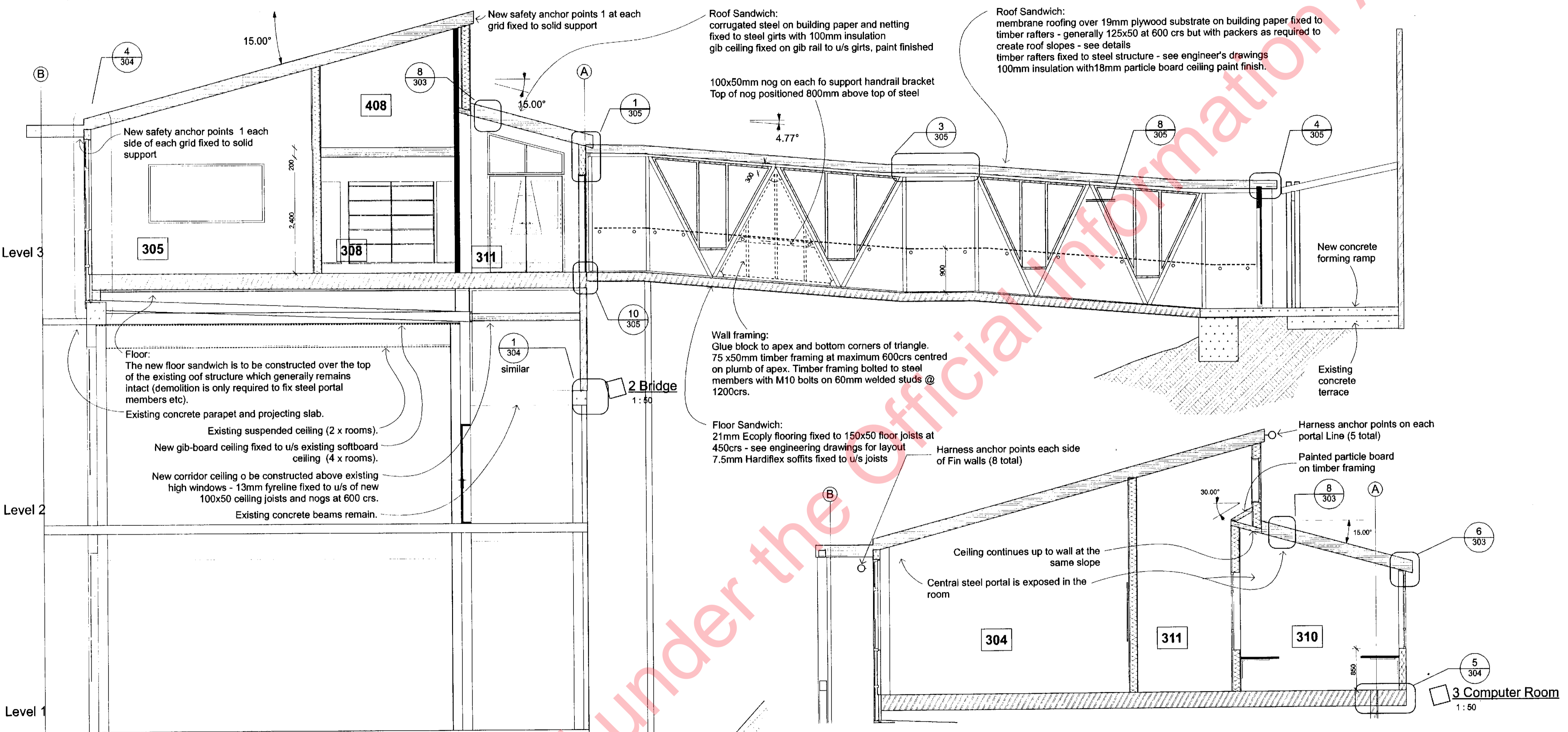
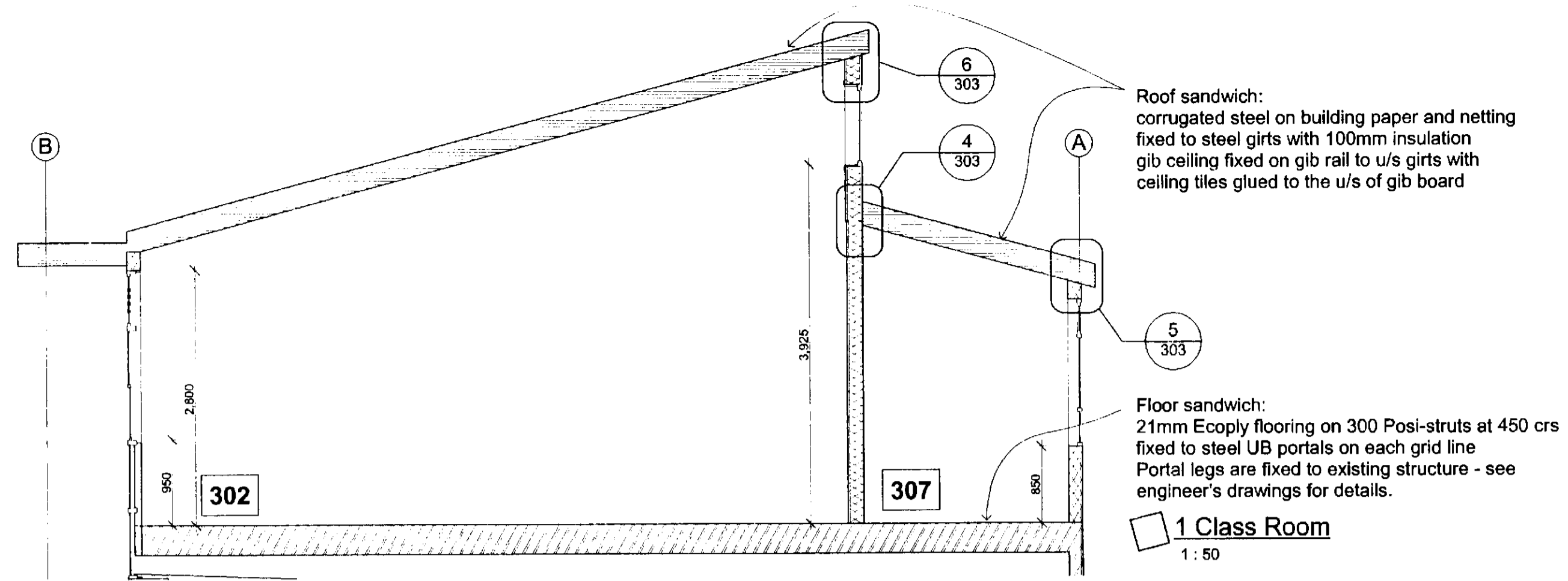
Checked *me*

Job Number 0501

Sheet Number 300

PO BOX 24-120
47 CUBA ST
WELLINGTON, NZ
PH 04 472 3502

Revision



W.C.G. RECORDS

KEY / NOTES

Client: Wellington East Girls College

Job Title: East Block Classroom Additions

Drawing Status: Tender Issue

REV	Description	NAO	18/8/05	Approval	Date
A	Tender Issue				

Numbered References for Internal and Consultant use only.
Drawings ONLY to be used for construction if marked FOR CONSTRUCTION
All dimensions to be verified on site before fabrication
Copyright in this drawing is reserved

Cross Sections

Original Sheet A1

Scale: 1:50

Job: 0501

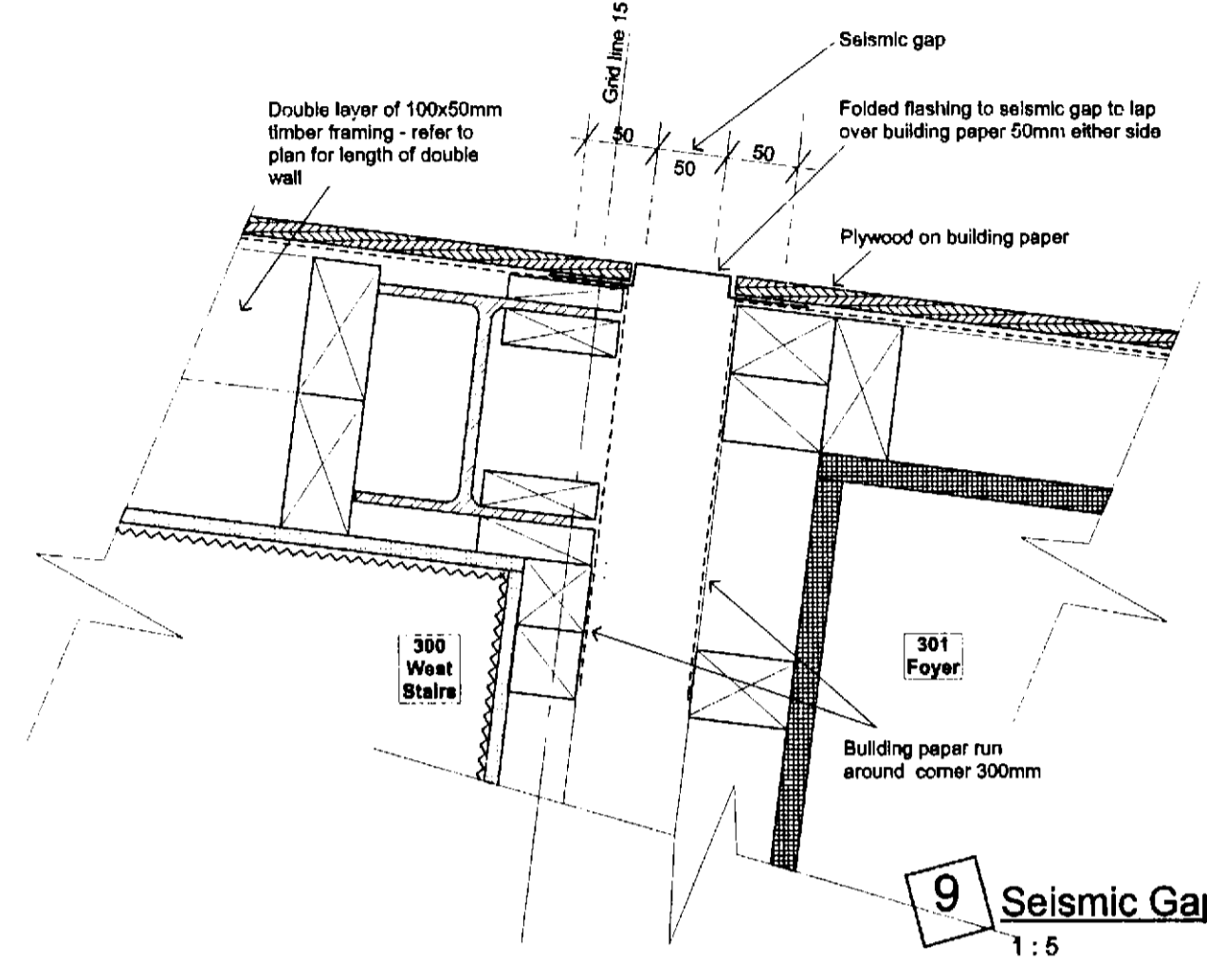
Sheet Number: 301

Revision: 1

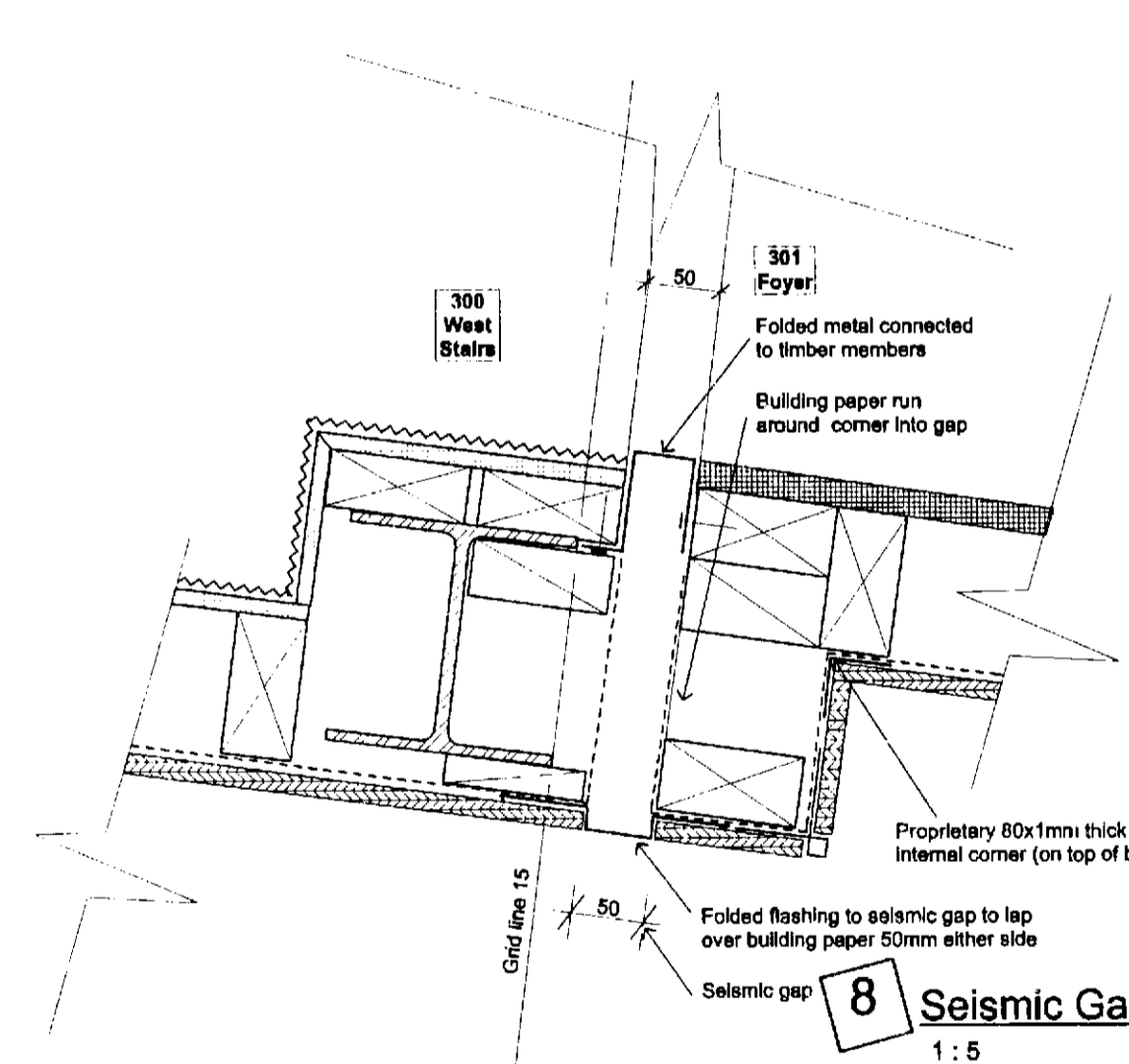
PO BOX 24-120
47 CUBA ST
WELLINGTON, NZ
PH 04 472 3502

FOYNA CHRISTIE ARCHITECT

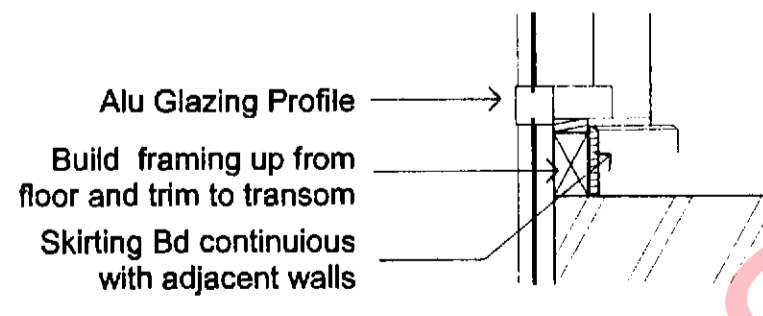
- Carpet
- Gib Board
- Particle board
- Pinboard
- Monotek
- Plywood
- Timber



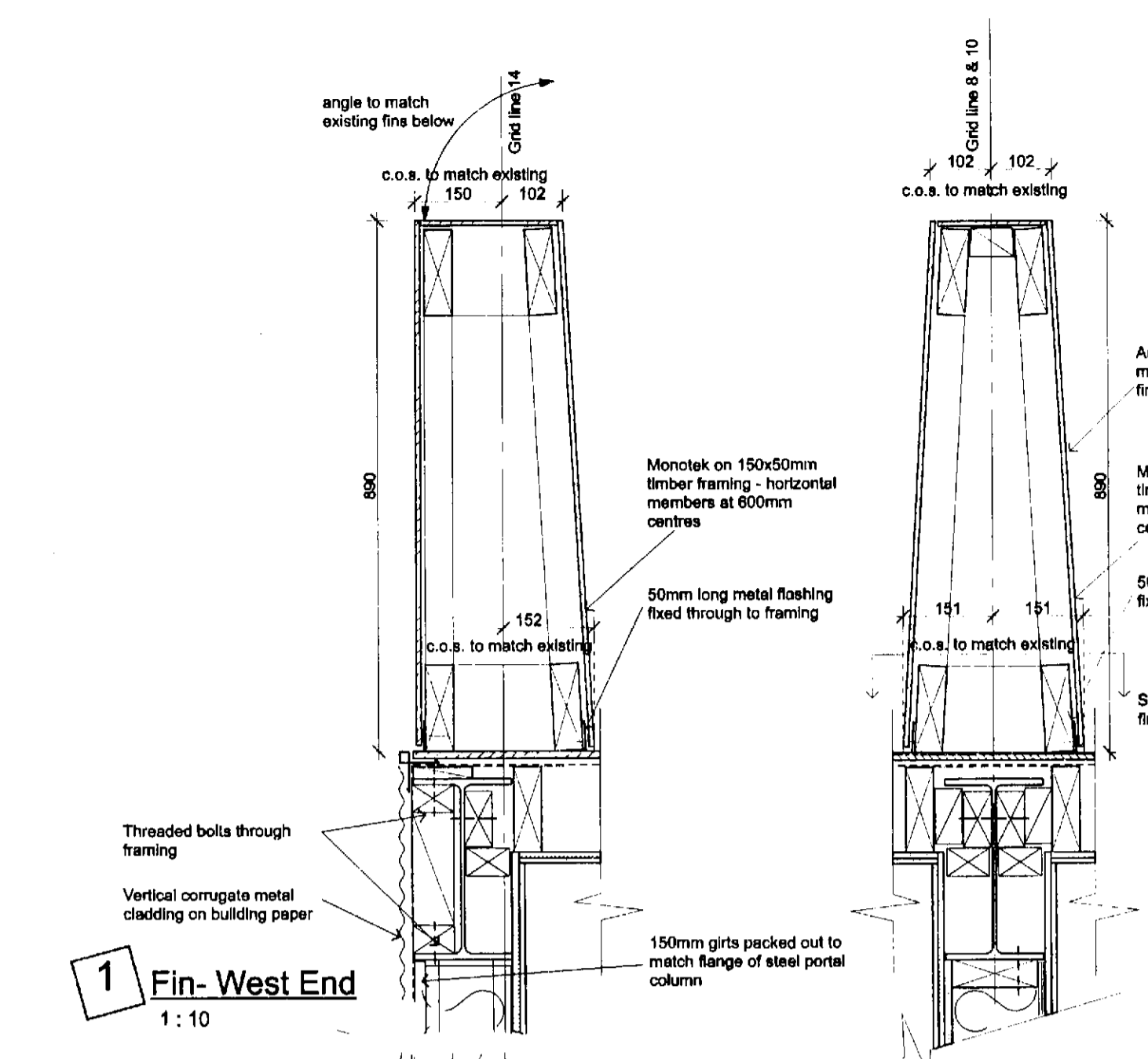
9 Seismic Gap Foyer Nth
1:5



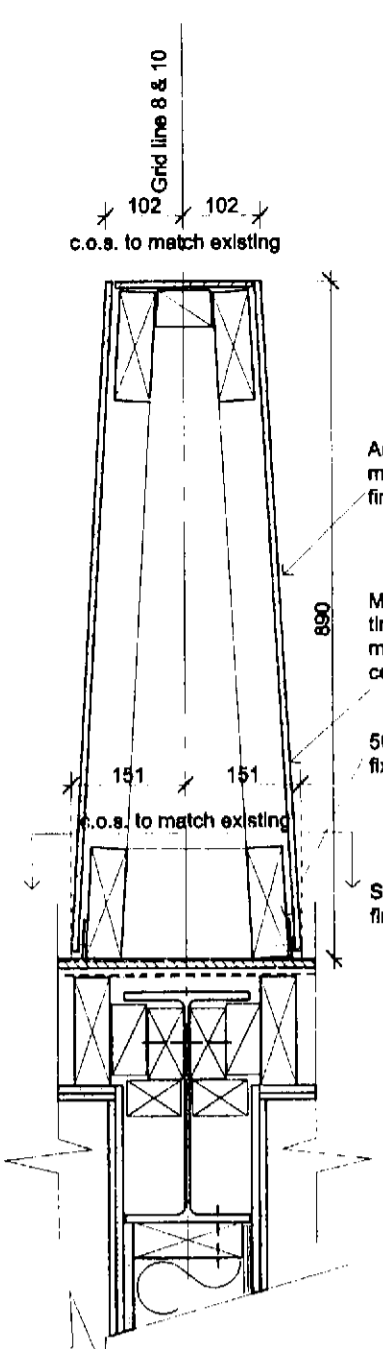
8 Seismic Gap Foyer Sth
1:5



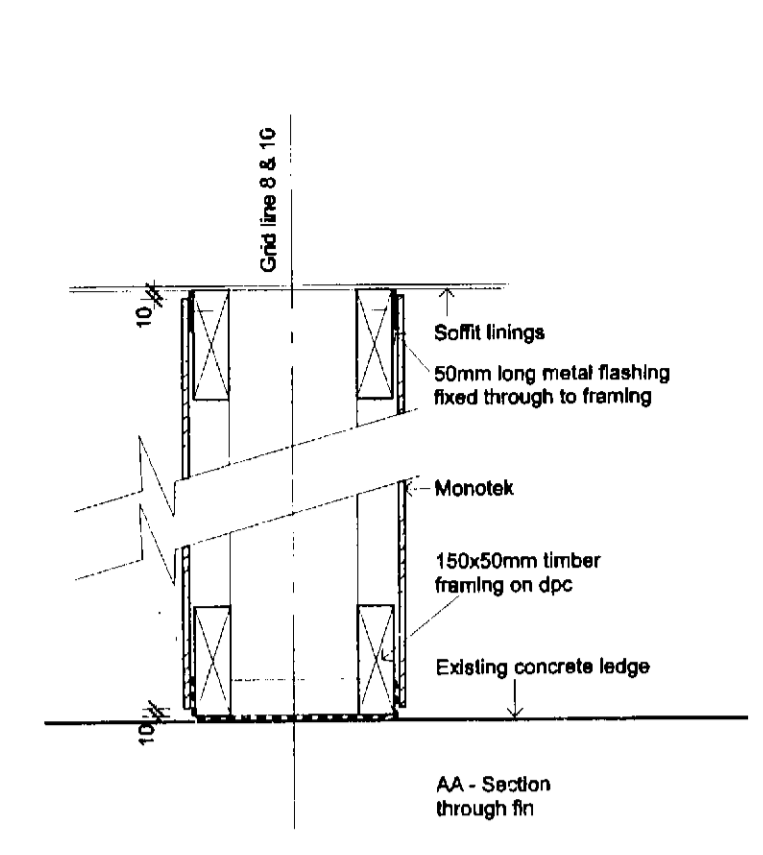
10 Foyer Window Sill
1:10



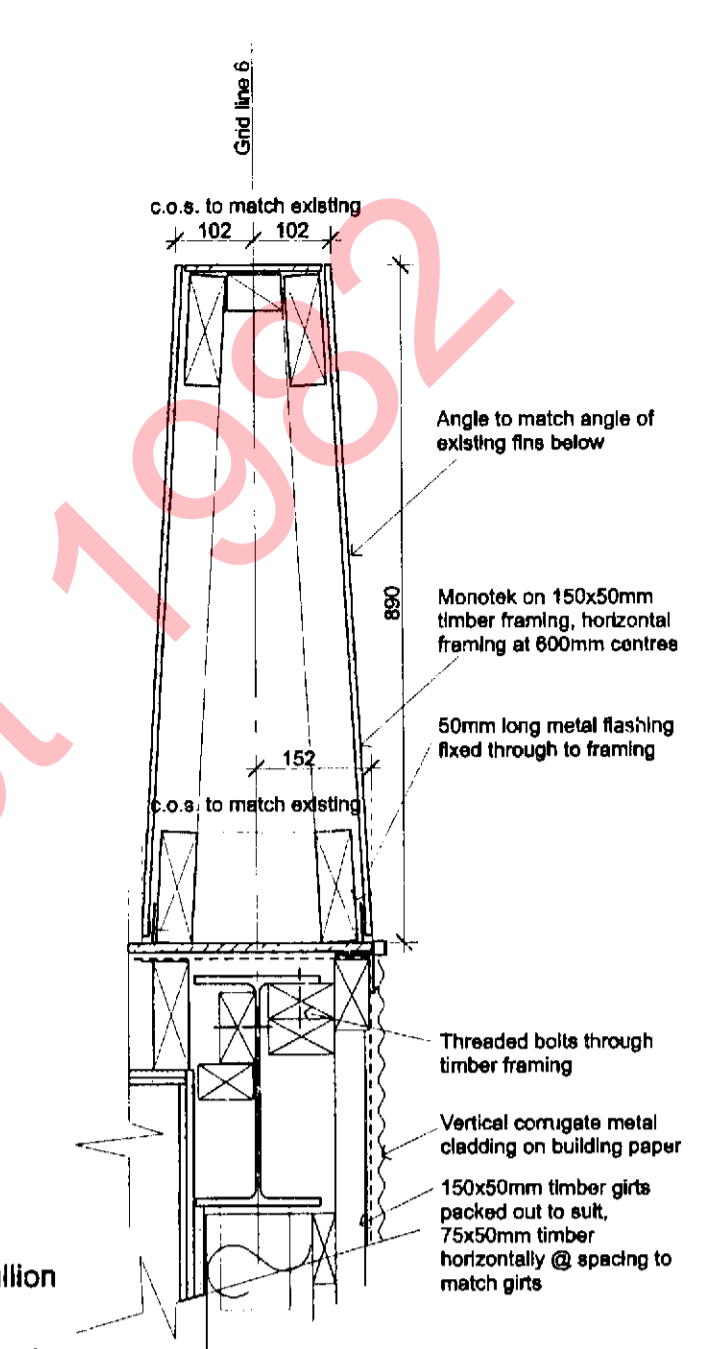
1 Fin- West End
1:10



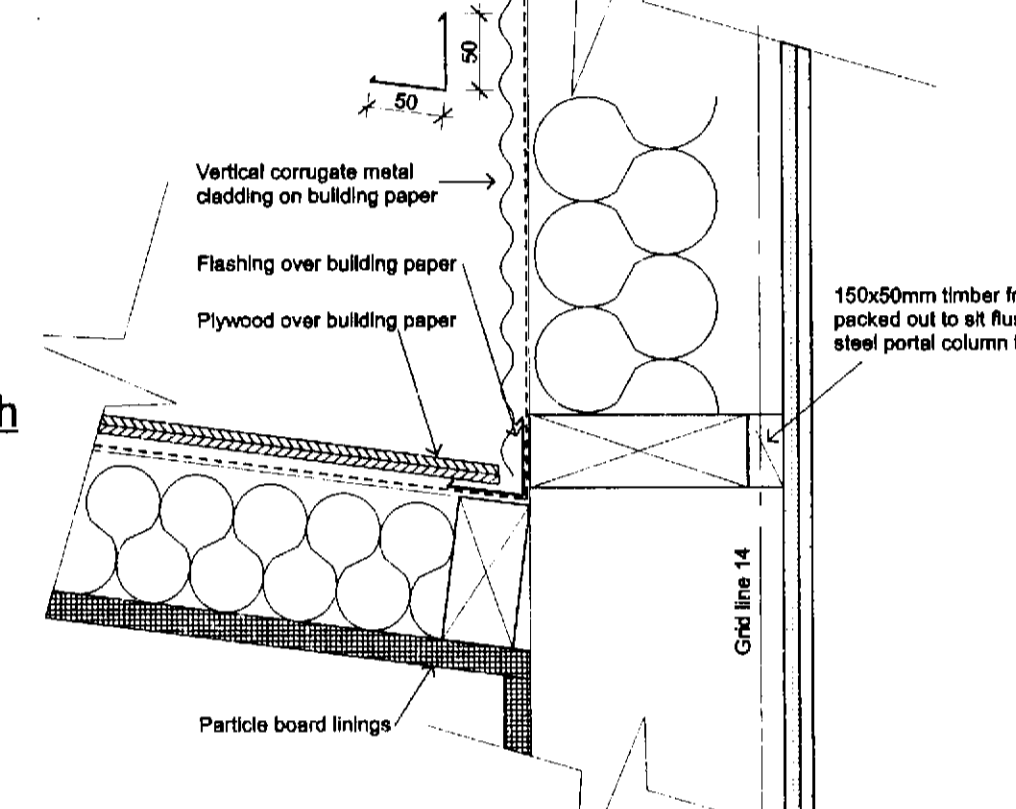
2 Fin- Typical
1:10



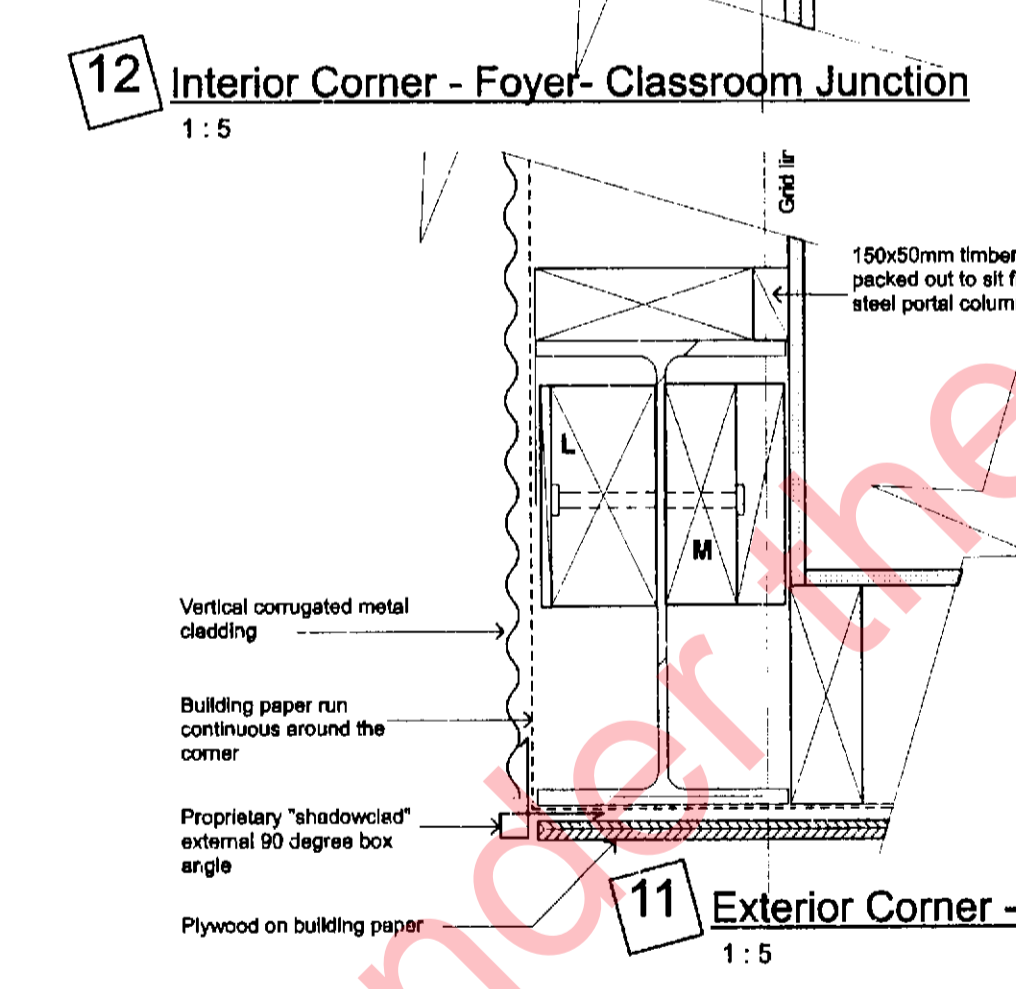
4 Interior Wall To Mullion
1:10



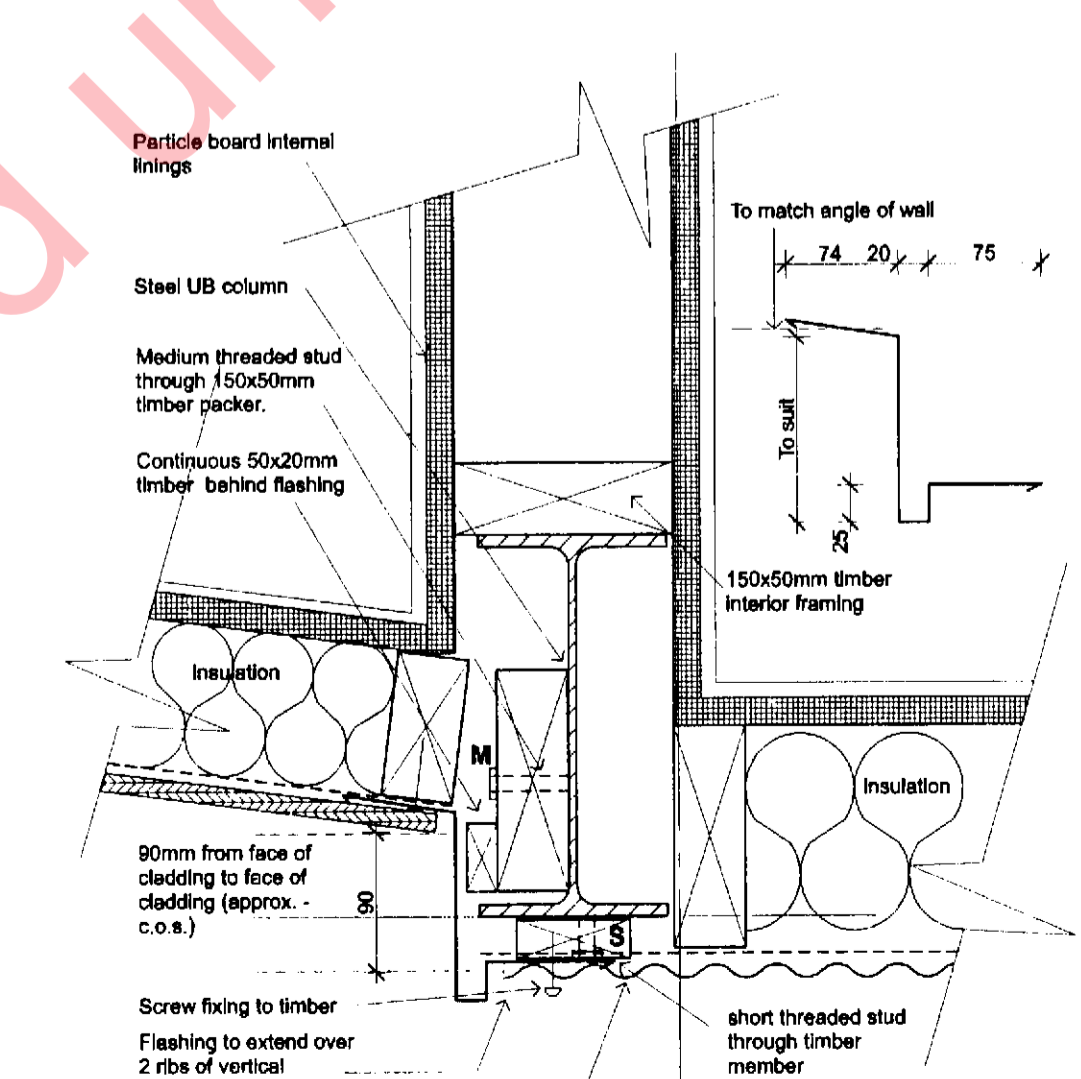
3 Fin- East End
1:10



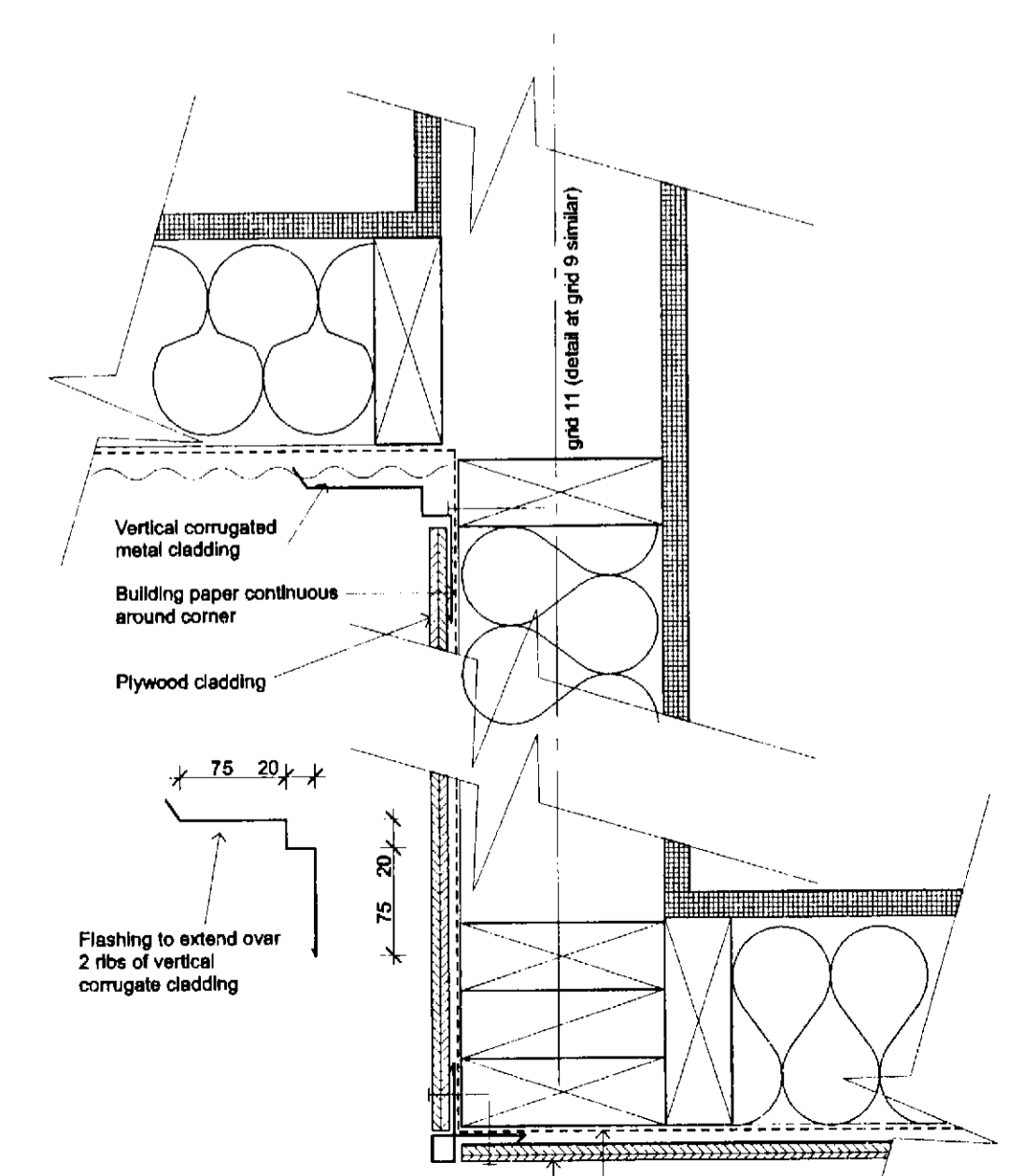
12 Interior Corner - Foyer - Classroom Junction
1:5



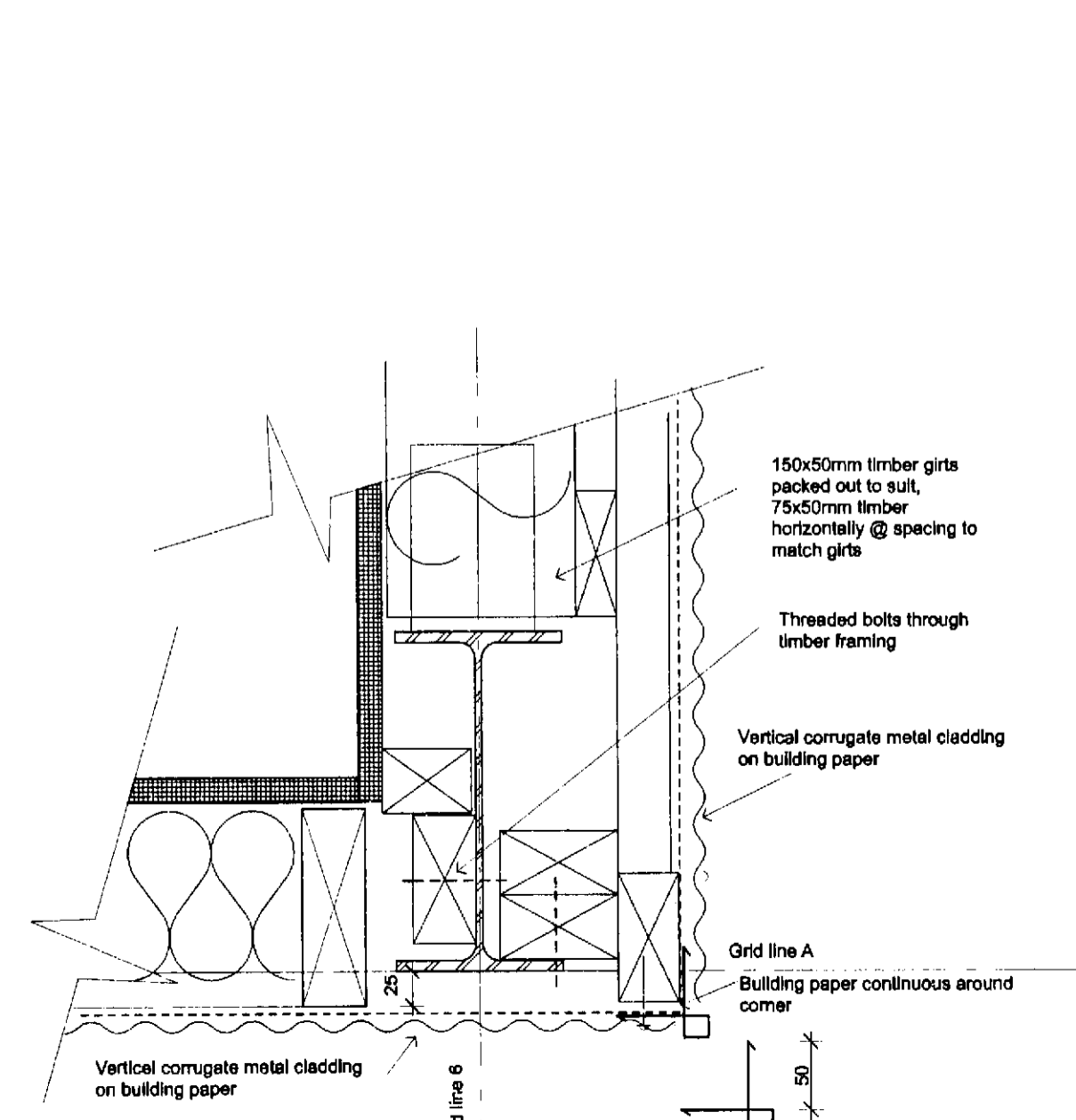
11 Exterior Corner - High Walls
1:5



7 Class Block / Foyer Junction
1:5



6 Computer Room Bay
1:5



5 Exterior Corner A-1
1:5



KEY / NOTES

Wellington East Girls College

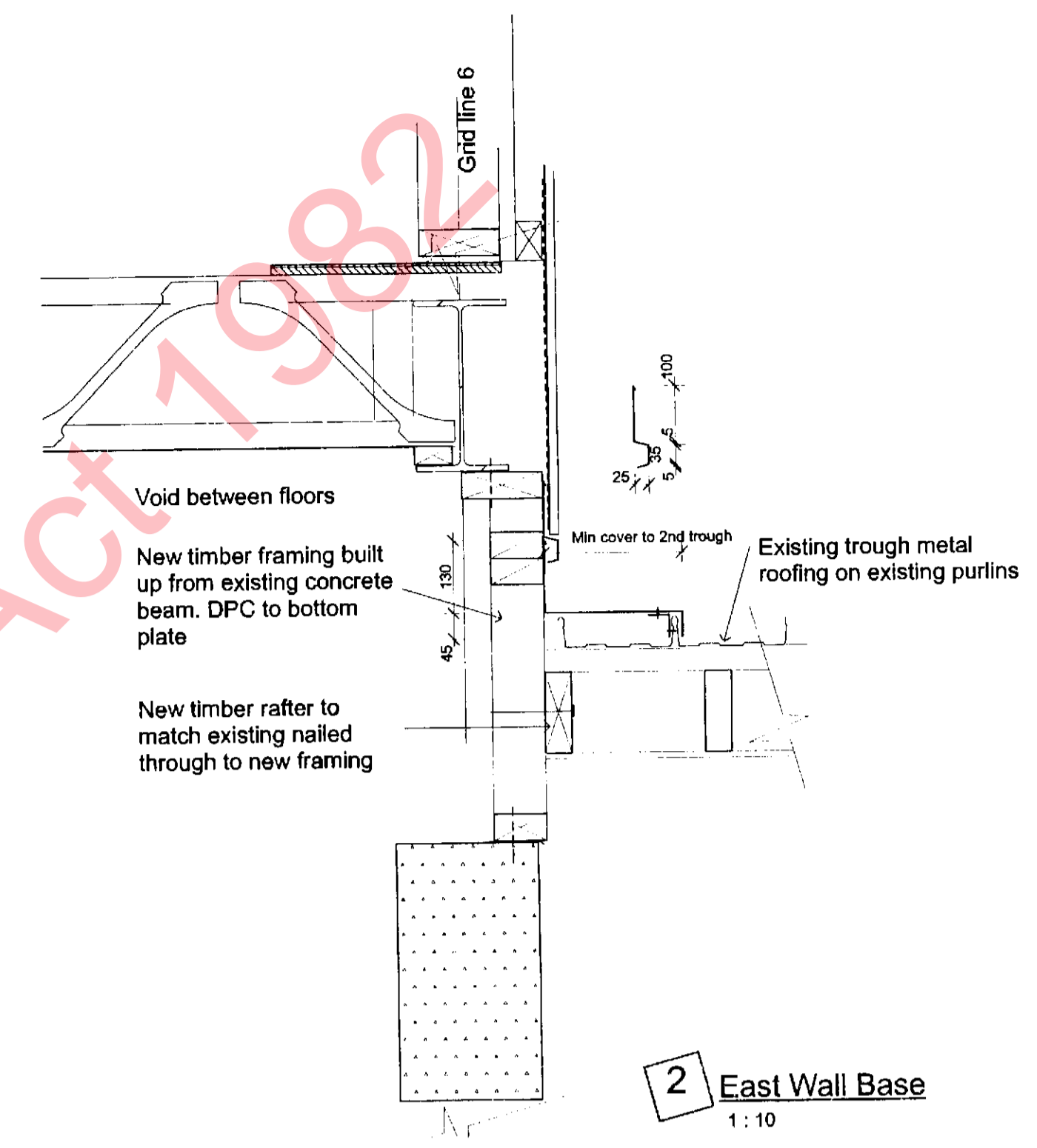
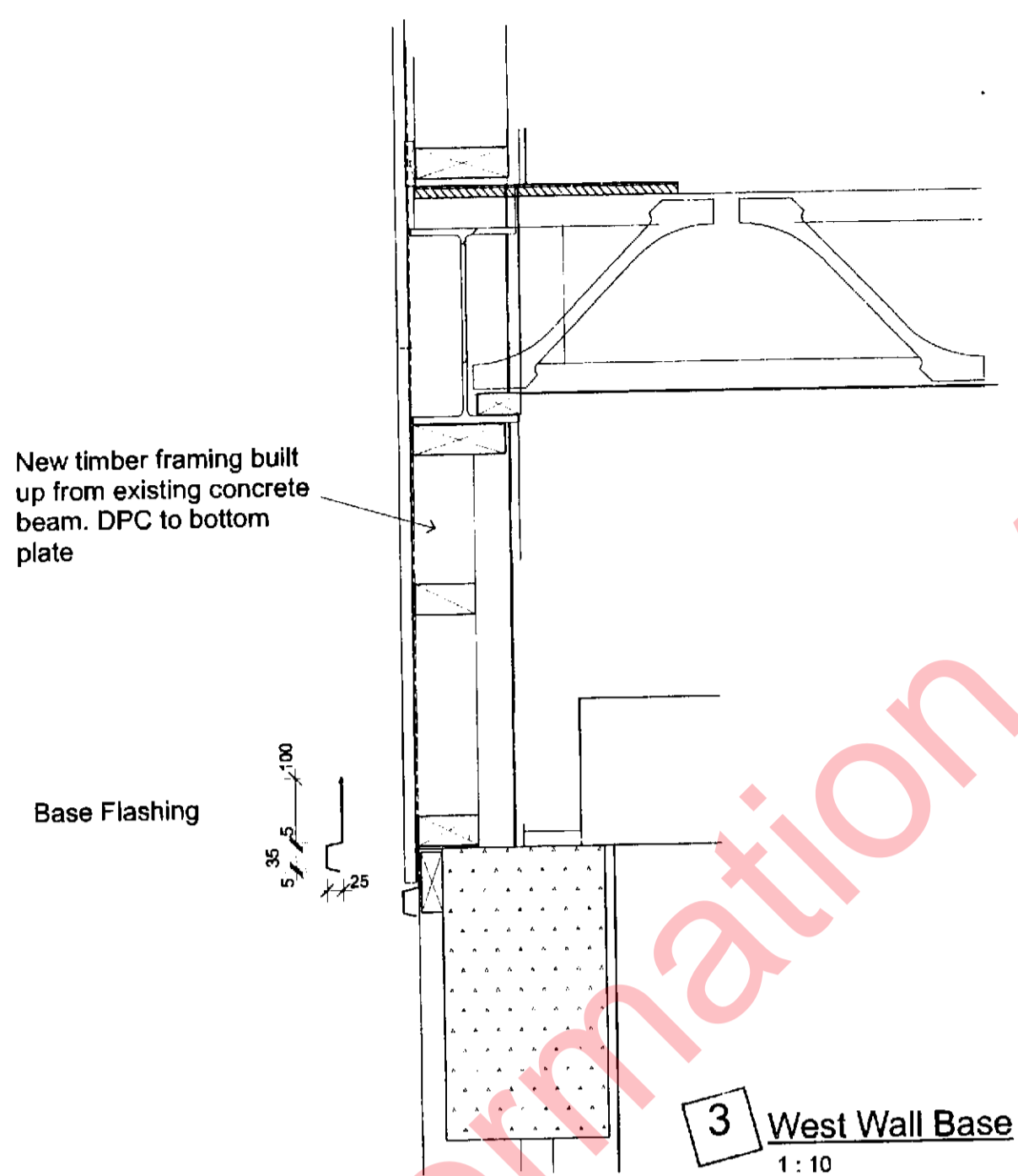
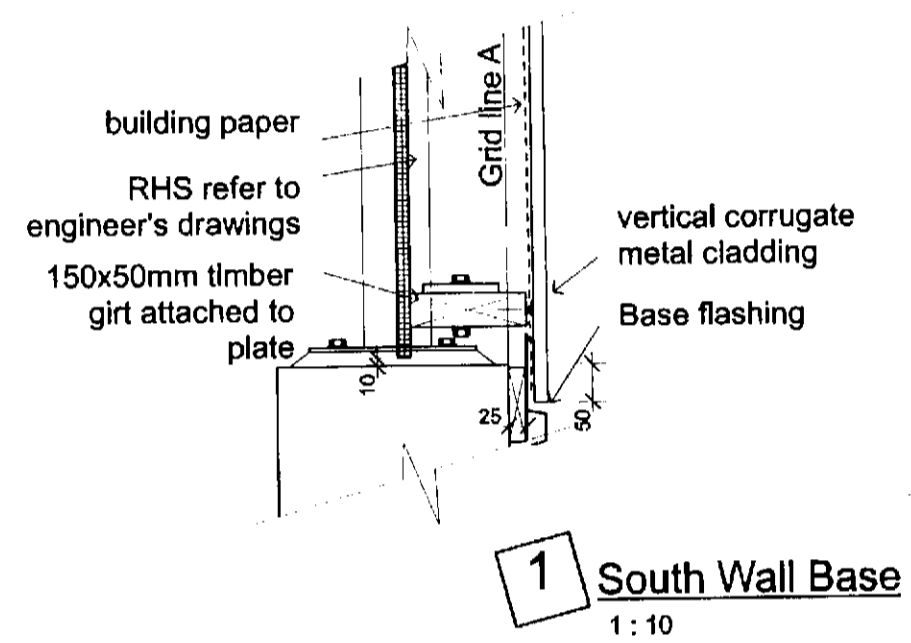
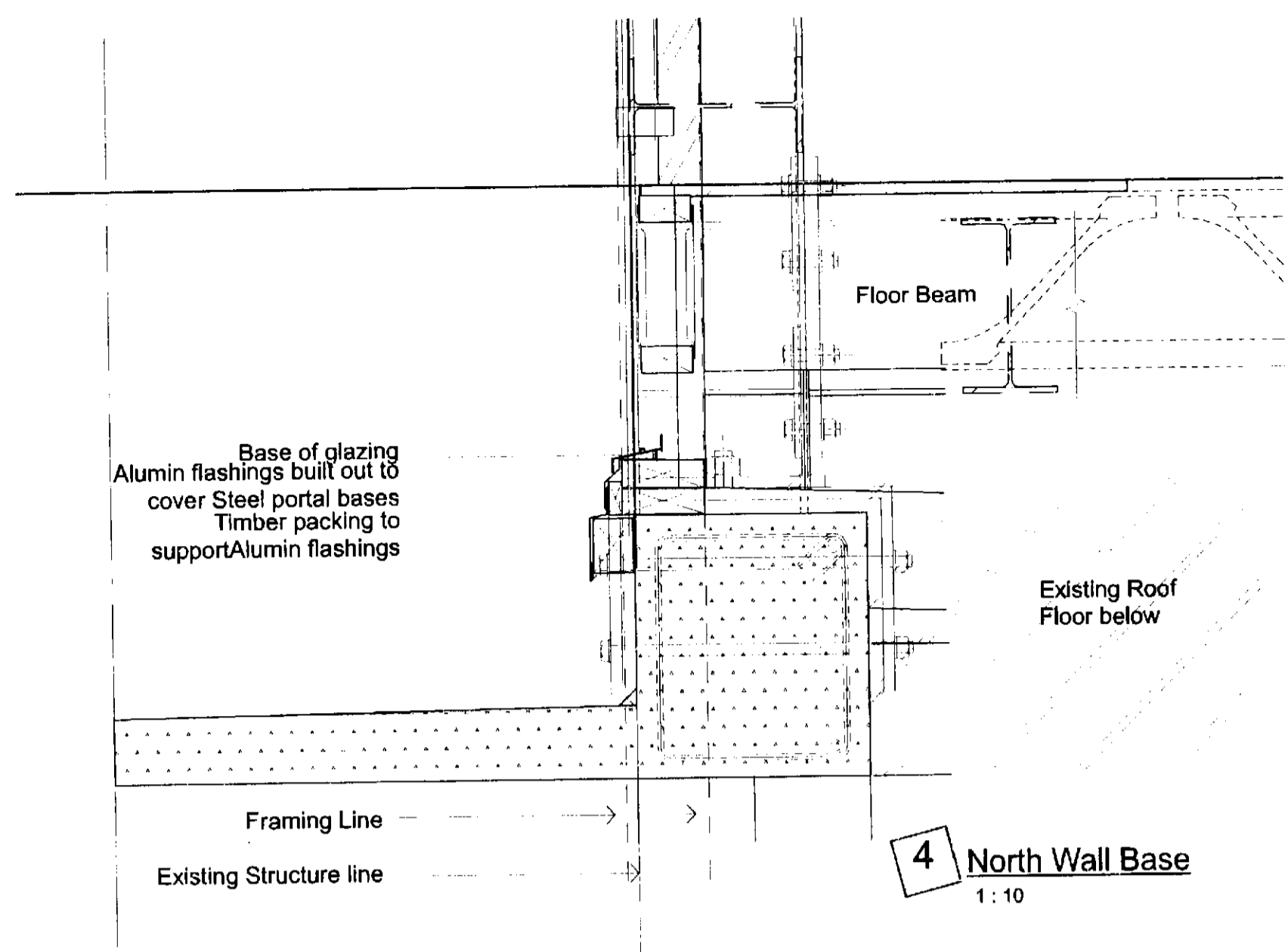
East Block Classroom Additions

Tender Issue

REV	Description	Approval	Date
B	Cladding Details Revised	NAO	23/8/05
A	Tender Issue	NAO	18/8/05

Building Envelope - Plan

Original Sheet A1
 Drawn
 Checked
 Sheet Number 0501
 PO BOX 24-120
 47 CUBA ST
 WELLINGTON, NZ
 PH 04 472 3502
 302
 Printed
 Revision



Released under the Official Information Act 1982

W.G.C. RECORDS

KEY / NOTES

Client
Wellington East Girls College

Job Title
East Block Classroom Additions

Drawing Status
Tender Issue

REV	Description	Approval	Date
B	Cladding Details Revised	NAG	23/8/05
A	Tender Issue	NAG	16/8/05

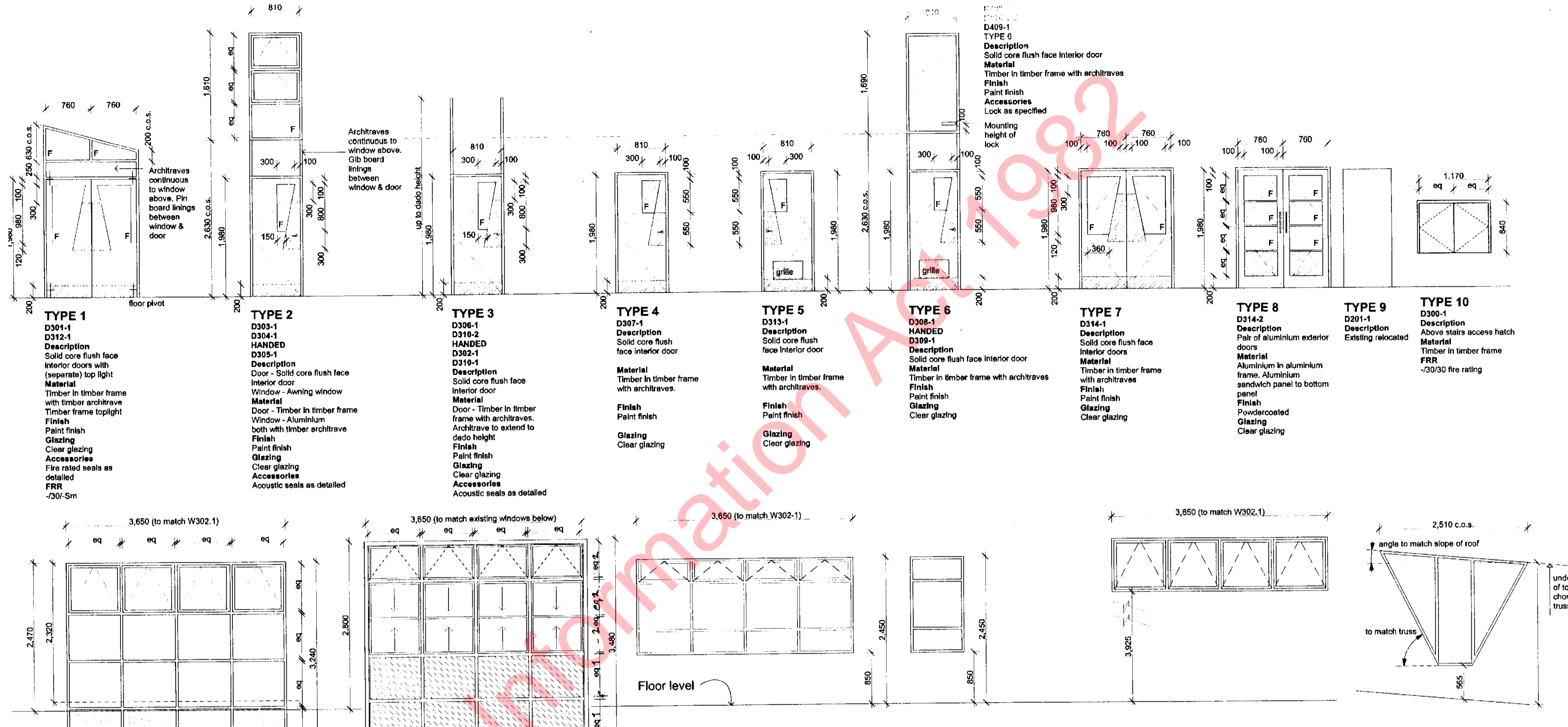
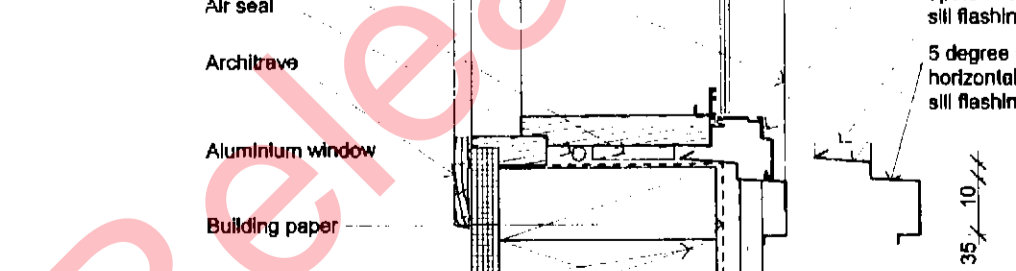
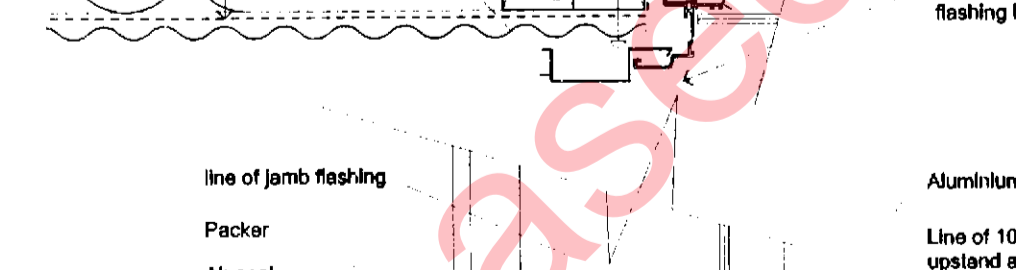
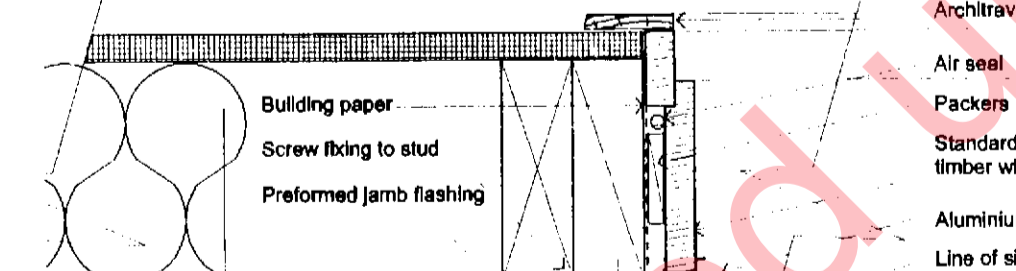
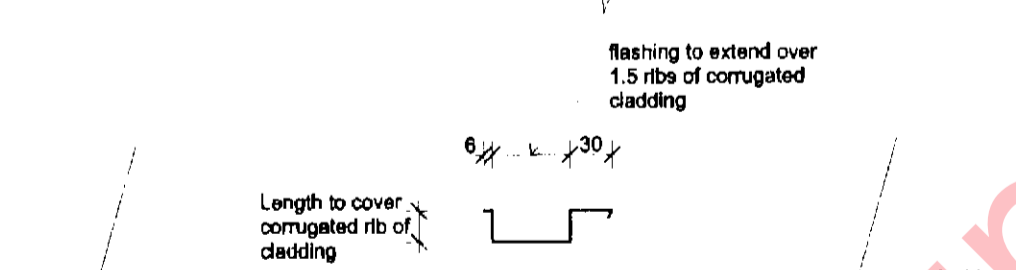
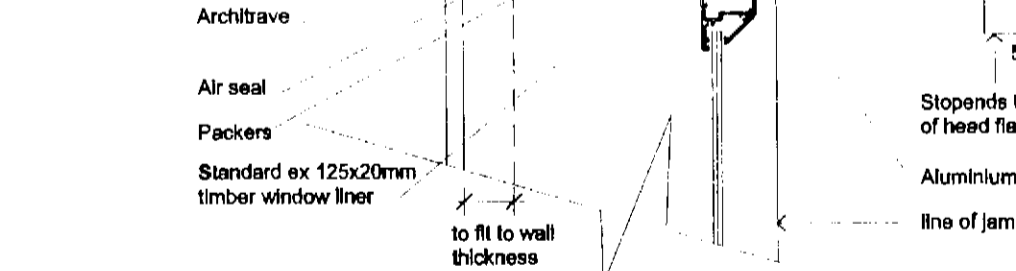
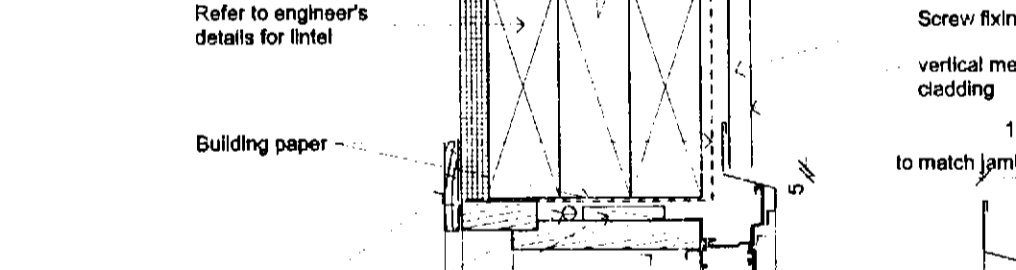
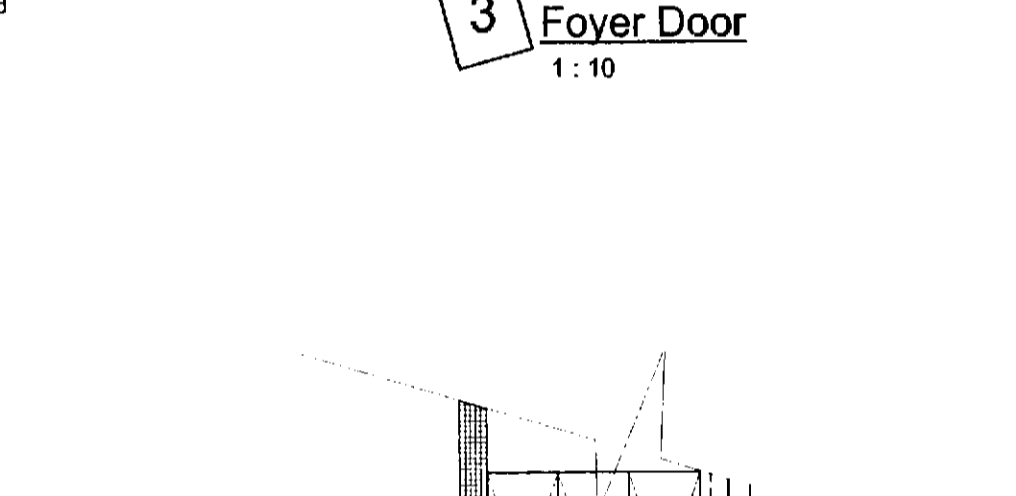
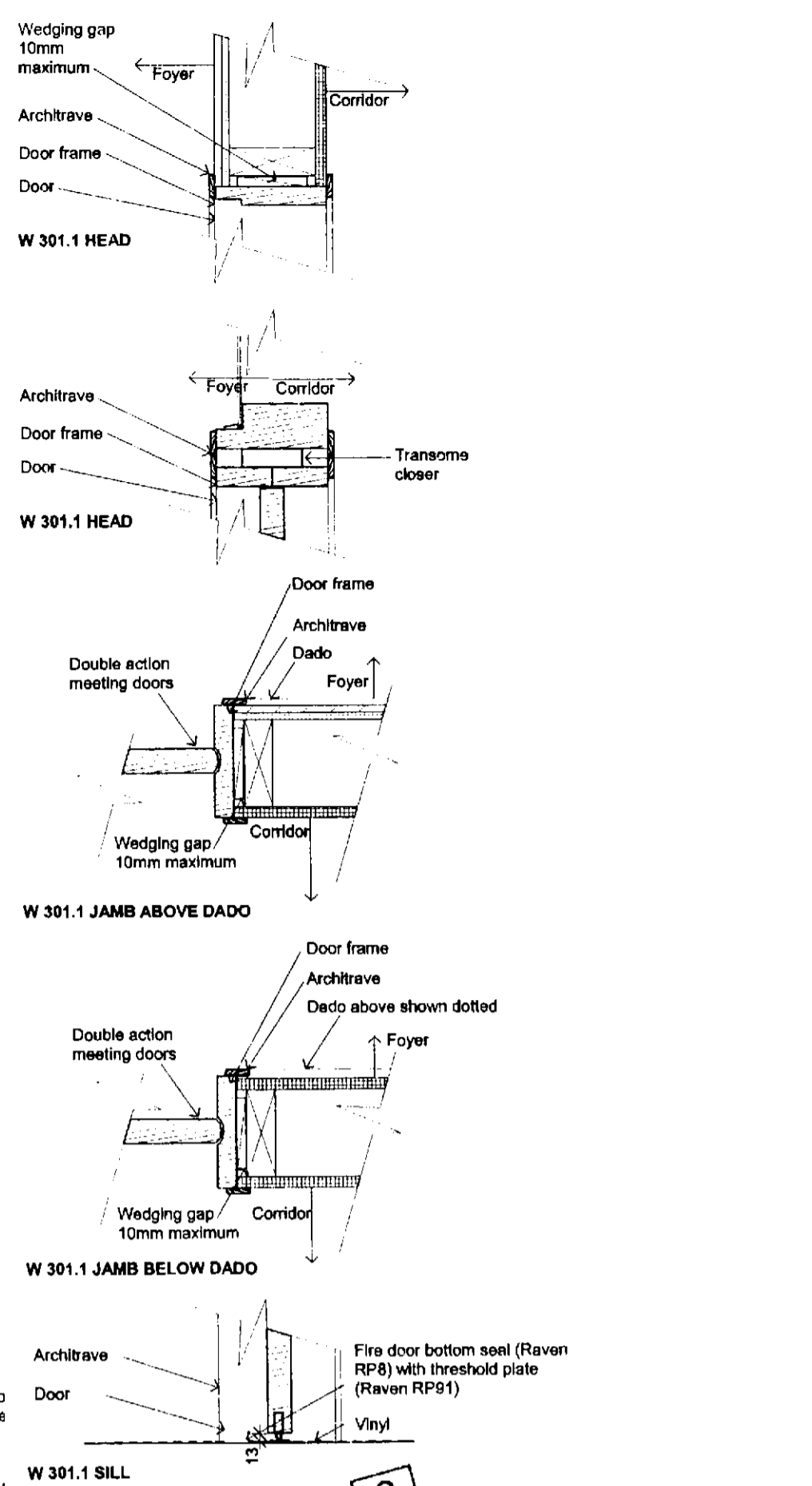
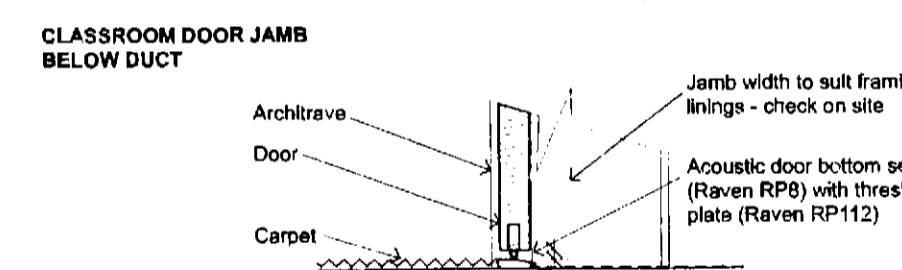
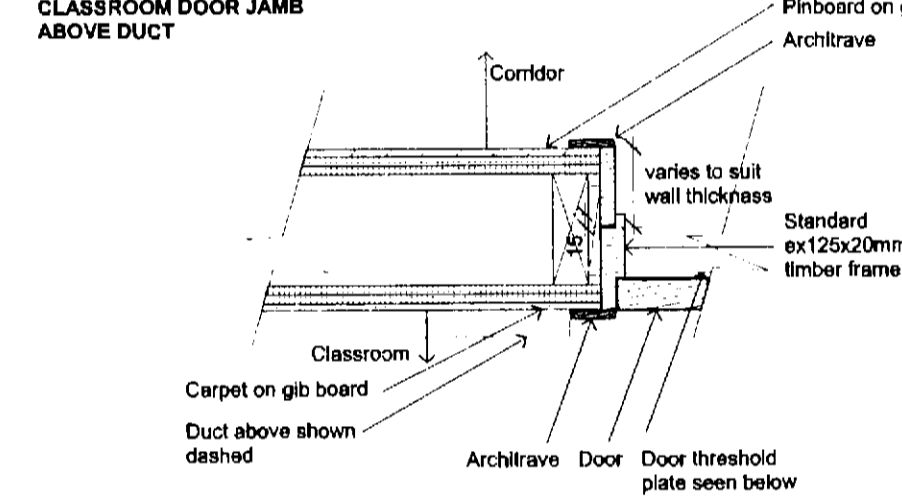
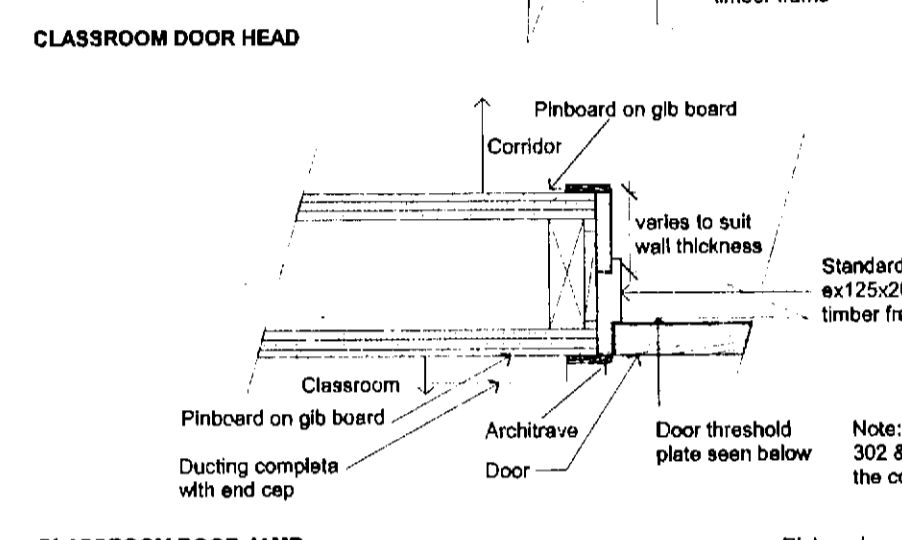
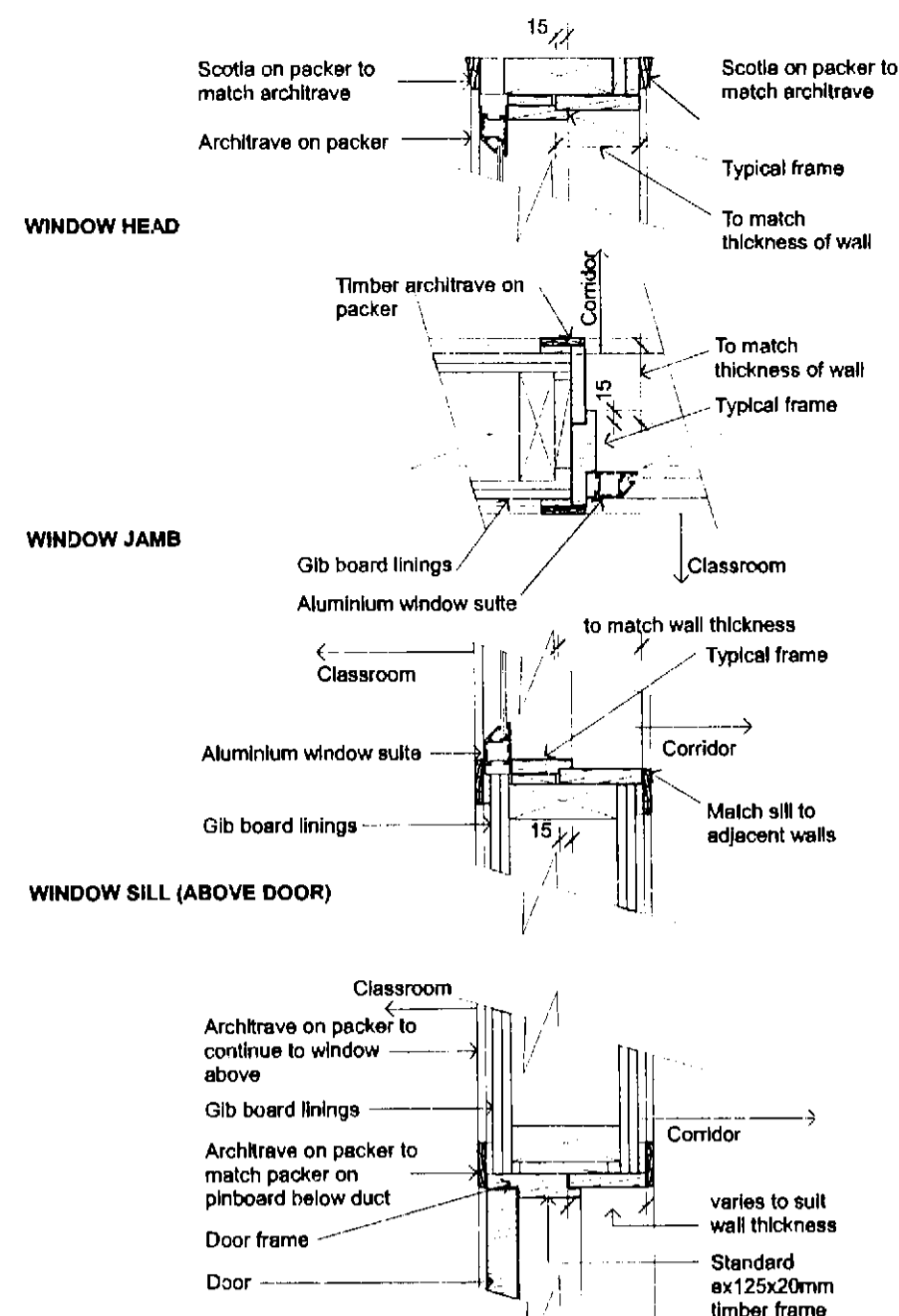
Numeric Revisions for internal and consultant use only.
Drawings ONLY to be used for construction if issued FOR CONSTRUCTION
All dimensions to be verified on site before fabrication
Copyright on this drawing is reserved

Building Envelope- Base Junctions

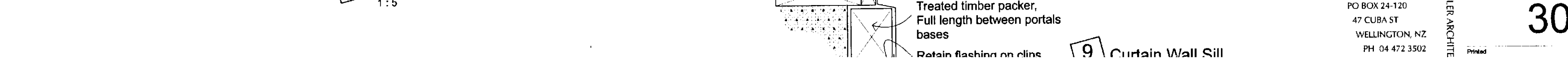
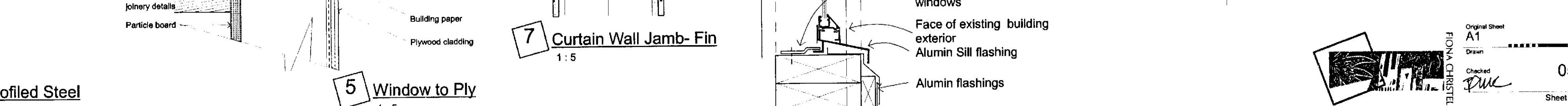
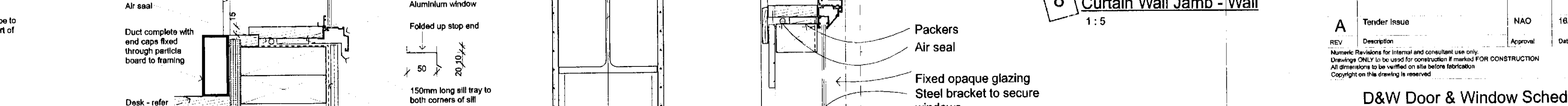
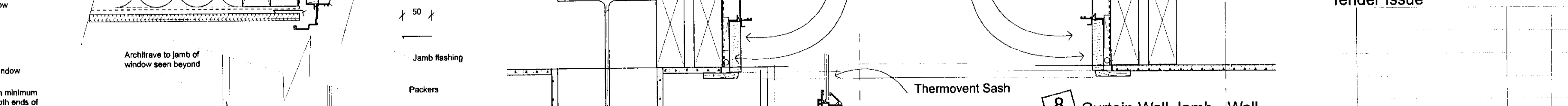
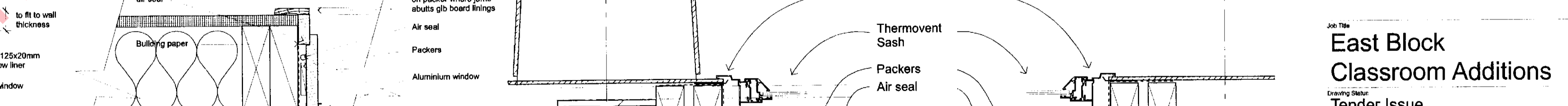
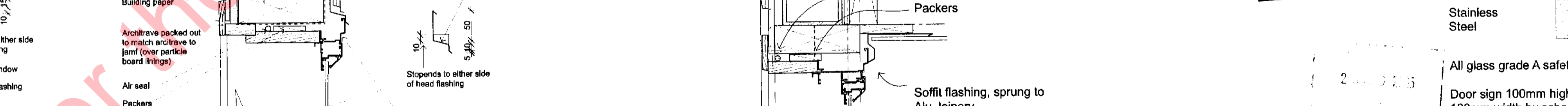
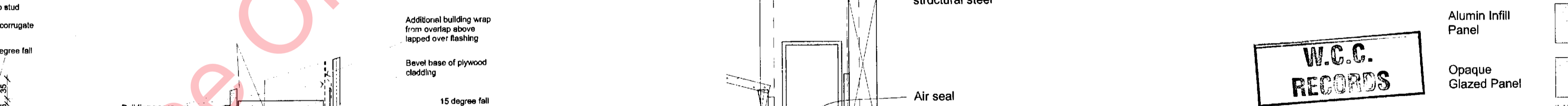
Original Sheet: A1
Scale: _____
Job: _____
Job Number: 0501
Sheet Number: **304**
Revision: _____

PO BOX 24-120
47 CLUBA ST
WELLINGTON, NZ
PH 04 472 3502
FAX 04 473 0456

Printed: 22/10/05



TYPE	Operation	Material	Finish	Glazing
TYPE 1	Awning	Aluminium	Powdercoated	Clear & Opaque
TYPE 2	Awning	Aluminium	Powdercoated	Clear & Opaque
TYPE 3	Awning	Aluminium	Powdercoated	Clear & Opaque
TYPE 4	Interior Window	Aluminium	Powdercoated	Clear glazing
TYPE 5	Clerestory windows	Aluminium	Powdercoated	Clear glazing
TYPE 6	Fixed	Aluminium	Powdercoated	Clear glazing



Door & Window Schedule
 1:50

D&W MATERIALS KEY

Alumin Infill Panel	[Symbol]
Opaque Glazed Panel	[Symbol]
Stainless Steel	[Symbol]
All glass grade A safety glass	[Symbol]
Door sign 100mm high x 120mm width by school	[Symbol]

W.C.G. RECORDS

2022

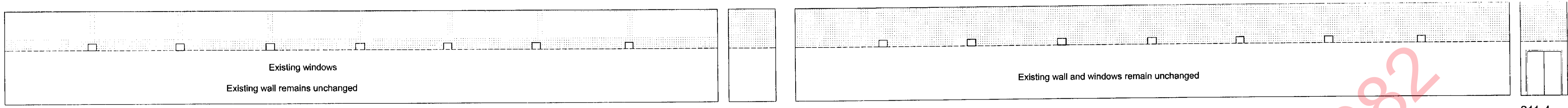
KEY / NOTES
 Client
Wellington East Girls College
 Job Title
East Block Classroom Additions
 Drawing Status
Tender Issue

REV	Description	NAO	16/8/05
A	Tender Issue	Approval	Date

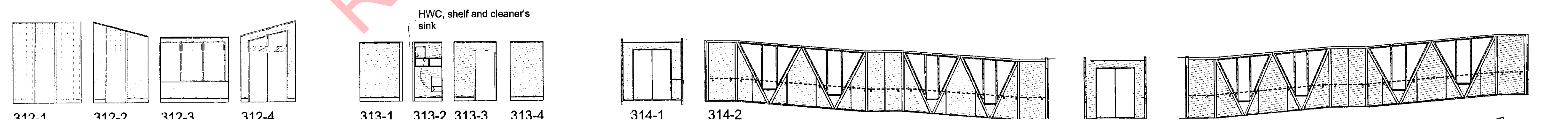
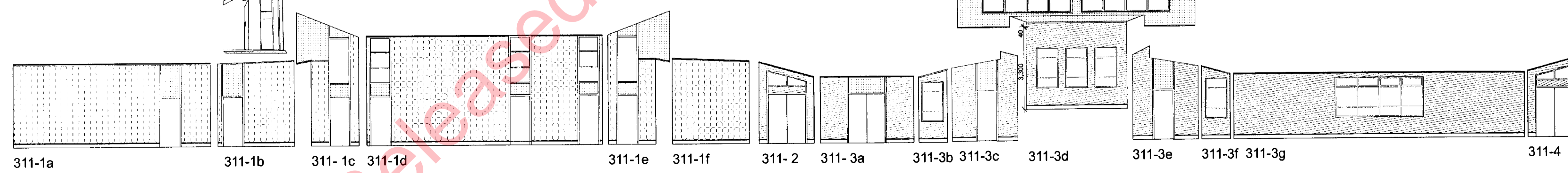
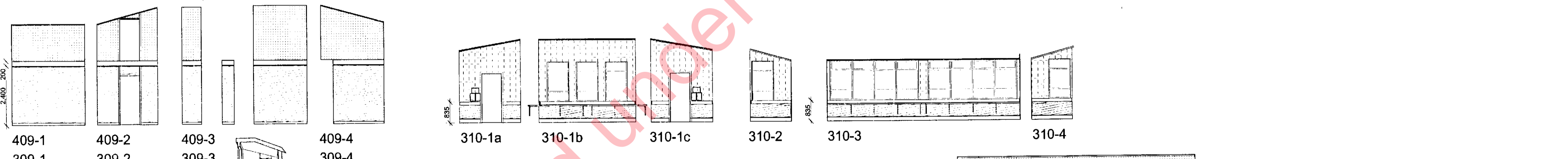
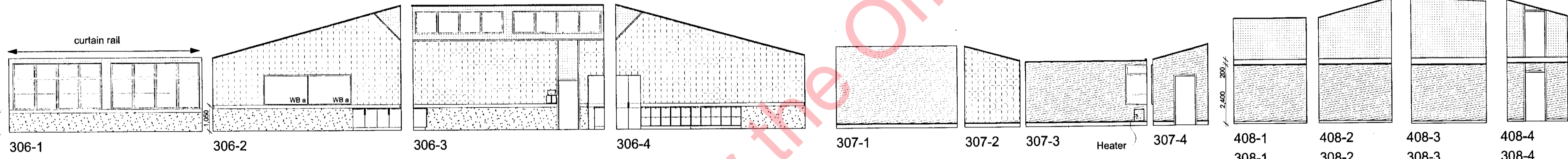
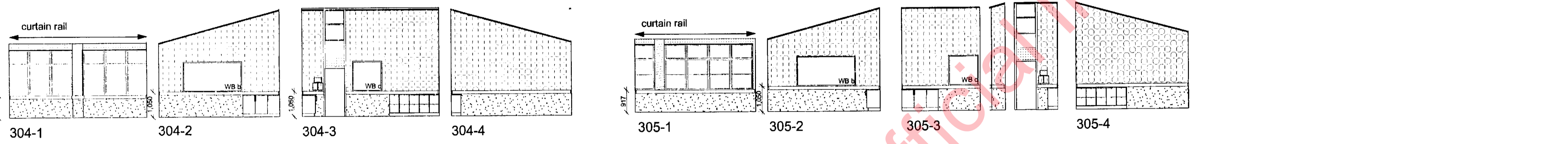
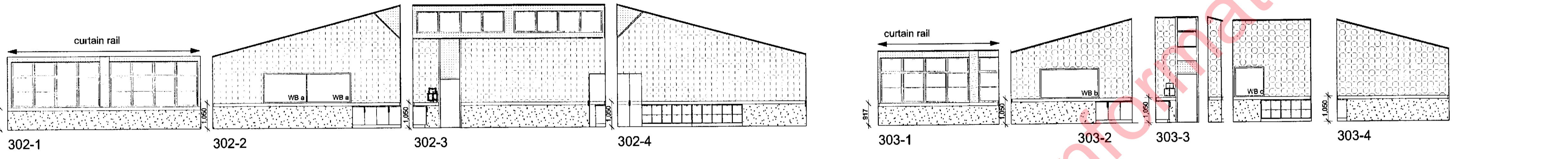
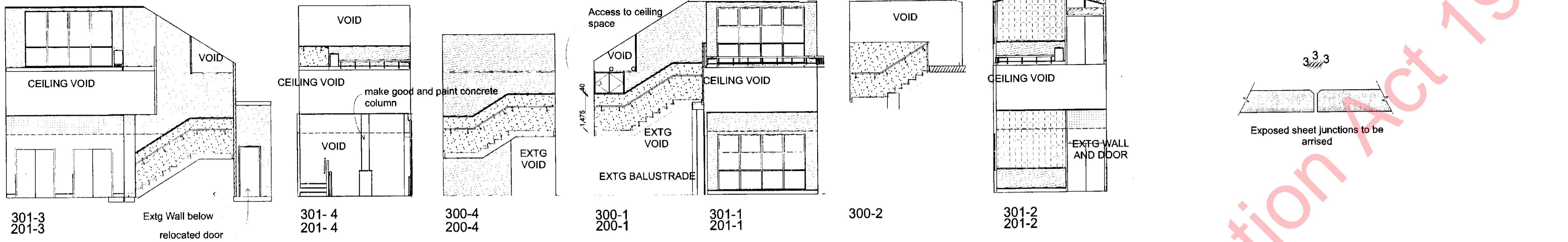
D&W Door & Window Schedule

Original Sheet
 A1
 Scale
 Job
 0501
 Sheet Number
306
 Revision

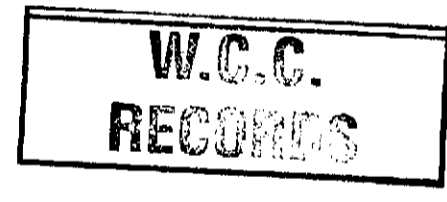
PO BOX 24-120
 47 CUBA ST
 WELLINGTON, NZ
 PH 04 472 3502



211-1 211-2 211-3 211-4



- WALL FINISHES**
- Pin-board
 - Carpet
 - Painted Particle Board
 - Painted gib-board
- 3 x A4 clear perspex, screwed over linings to wall



KEY / NOTES

Client Wellington East Girls College

Job Title East Block Classroom Additions

Drawing Status Tender Issue

REV	Description	Approval	Date
A	Tender Issue	NAD	18/8/05

Numeric Revisions for Internal and consultant use only.
Drawings ONLY to be used for construction if marked FOR CONSTRUCTION.
All dimensions to be verified on site before fabrication.
Copyright on this drawing is reserved.

Int Elev Interior Elevations

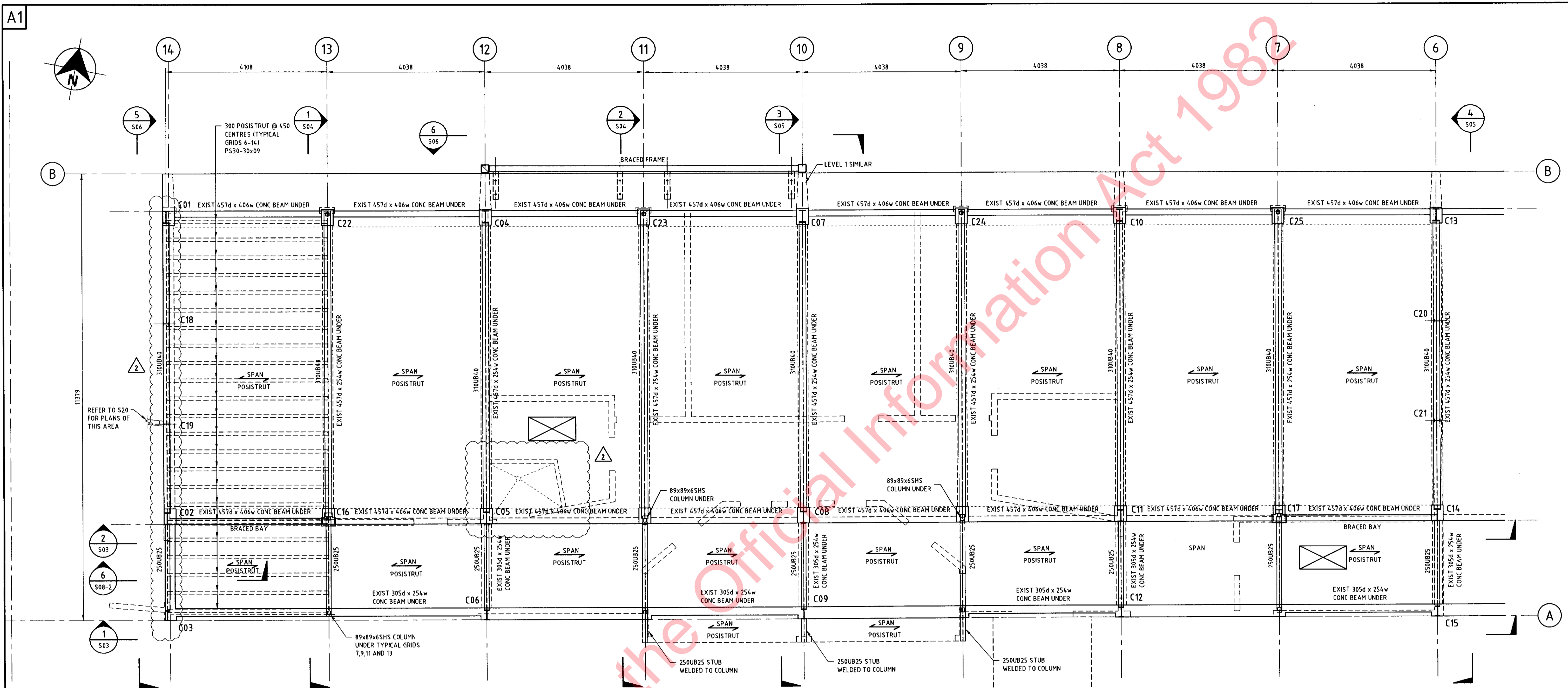
Original Sheet A1 Scale 1:50

Drawn Job 0501

Created Sheet Number 400

PO BOX 24-120
47 CUBA ST
WELLINGTON, NZ
PH 04 472 3502

FIONA CHRISTELLER ARCHITECT



PLAN
(@ PROPOSED SECOND FLOOR)
SCALE 1:50

COLUMN SCHEDULE	
MARK	SIZE
C01	310UB40
C02	310UB40
C03	250UB25
C04	310UB40
C05	310UB40
C06	250UB25
C07	310UB40
C08	310UB40
C09	250UB25
C10	310UB40
C11	310UB40
C12	250UB25
C13	310UB40
C14	310UB40
C15	250UB25
C16	89x89x6SHS
C17	89x89x6SHS
C18	150UB14
C19	150UB14
C20	150UB14
C21	150UB14
C22	89x89x6SHS
C23	89x89x6SHS
C24	89x89x6SHS
C25	89x89x6SHS

- NOTES**
- THIS DRAWING TO BE READ IN CONJUNCTION WITH THE SPECIFICATION
 - ALL WELDS TO BE 6 mm CONTINUOUS FILLET WELDS ALL ROUND USING E48XX ELECTRODES UNLESS NOTED OTHERWISE
 - ALL BOLTS TO BE GRADE 8.8/5 UNLESS NOTED OTHERWISE
 - STRUCTURAL STEEL TO BE Fy = 350 MPa FOR CHS SECTIONS AND Fy = 300 MPa FOR OTHER SECTIONS
 - ALL PLATES TO BE 10 mm THICK UNLESS NOTED OTHERWISE
 - ALL DIMENSIONS TO BE MEASURED AND VERIFIED ON SITE PRIOR TO ANY FABRICATION
 - POSISTRUT DESIGN LOADING - LIVE LOAD = 3.0kPa FOR CLASSROOMS, 4.0kPa FOR THE FOYER.

KEY

FLOOR HATCH. REFER TO ARCHITECTURAL DRAWINGS FOR EXACT LOCATION

W.C.C. RECORDS

CONSENT/TENDER

Rev.	Date	Revision Details	By	Ver.	App.
2	10.08.05	FOR CONSENT/TENDER	CM		
1	05.08.05	PRELIMINARY	ABM		

Connell Mott MacDonald
...building the future

Connell Wagner Limited
Lumley House, 3 Hunter Street (PO Box 1591)
Wellington New Zealand
Telephone: +64 4 472 9589
Facsimile: +64 4 472 9922
Email: cwm@connm.com

Client: WELLINGTON EAST GIRLS COLLEGE

Project: EXTENSION TO EAST WING BLOCK 7

Drawn	Signed	Date
ABM		00-00-00
Designed	GKS	Date
Verified	CJM	Date
Approved	MM	Date

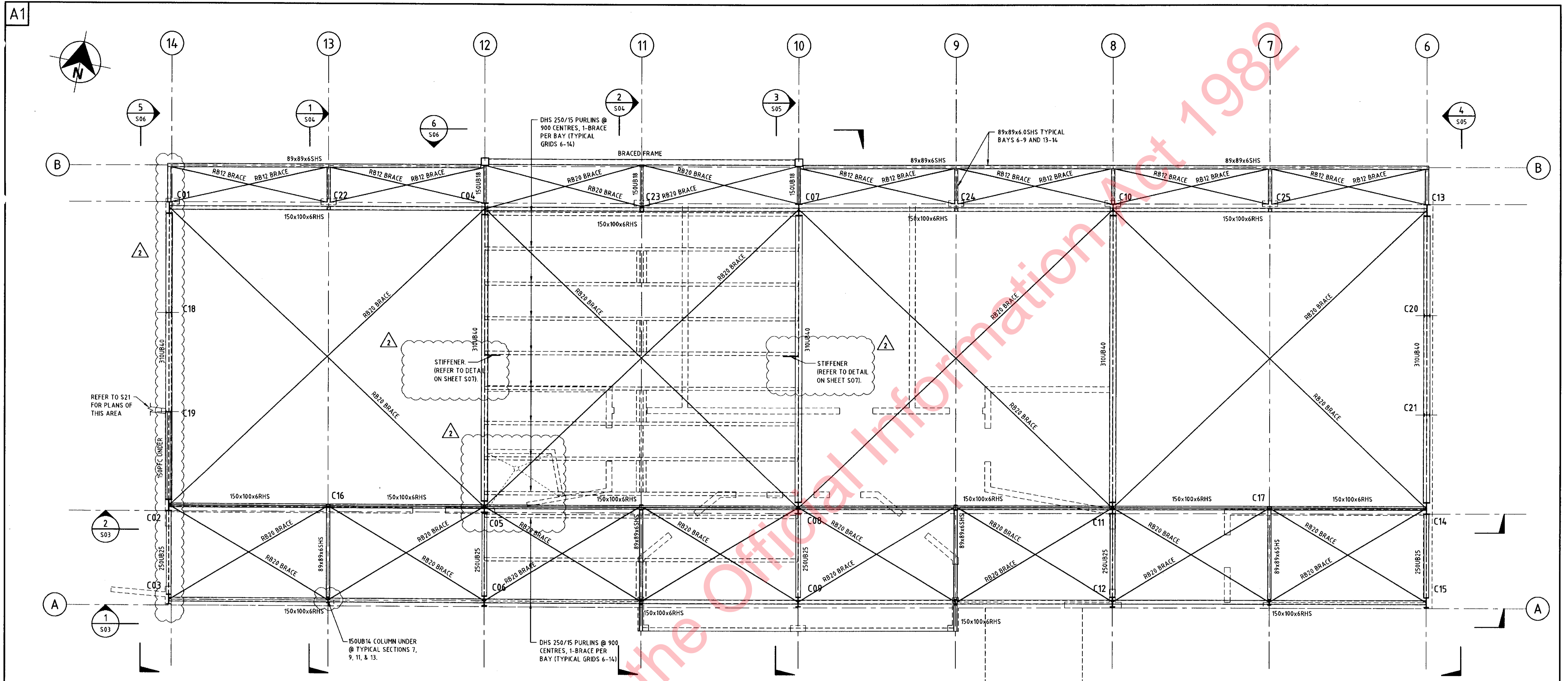
Drawing Title: SECOND FLOOR LAYOUT PLAN

CW Project No: 7970 12

Scale: 1:50 (@ A1), 1:100 (@ A3)

Drawing No: S 01 Rev: 2

A person using Connell Wagner drawings and other data accepts the risk of:
1. using the drawings and other data in electronic form without requesting and checking them for accuracy against the original hard copy versions;
2. using the drawings or other data for any purpose not agreed to in writing by Connell Wagner.



PLAN
(ROOF FRAMING)
SCALE 1:50

W.C.G.
RECORDS

CONSENT/TENDER

Rev.	Date	Revision Details	By	Ver.	App.
2	10.08.05	FOR CONSENT/TENDER	CM	1.0	
1	05.08.05	PRELIMINARY	ABM	1.0	

Connell Mott MacDonald
... building the future
Connell Wagner Limited
Lumley House, 3 Hunter Street (PO Box 1591)
Wellington New Zealand
Telephone: +64 4 472 9589
Facsimile: +64 4 472 9922
Email: cwwel@connwag.com

Client: **WELLINGTON EAST GIRLS COLLEGE**

Project: **EXTENSION TO EAST WING BLOCK 7**

Drawn	Signed	Date
ABM	[Signature]	00-00-00
Designed	Signed	Date
TW	[Signature]	00-00-00
Verified	Signed	Date
CJM		
Approved	Signed	Date
MM		

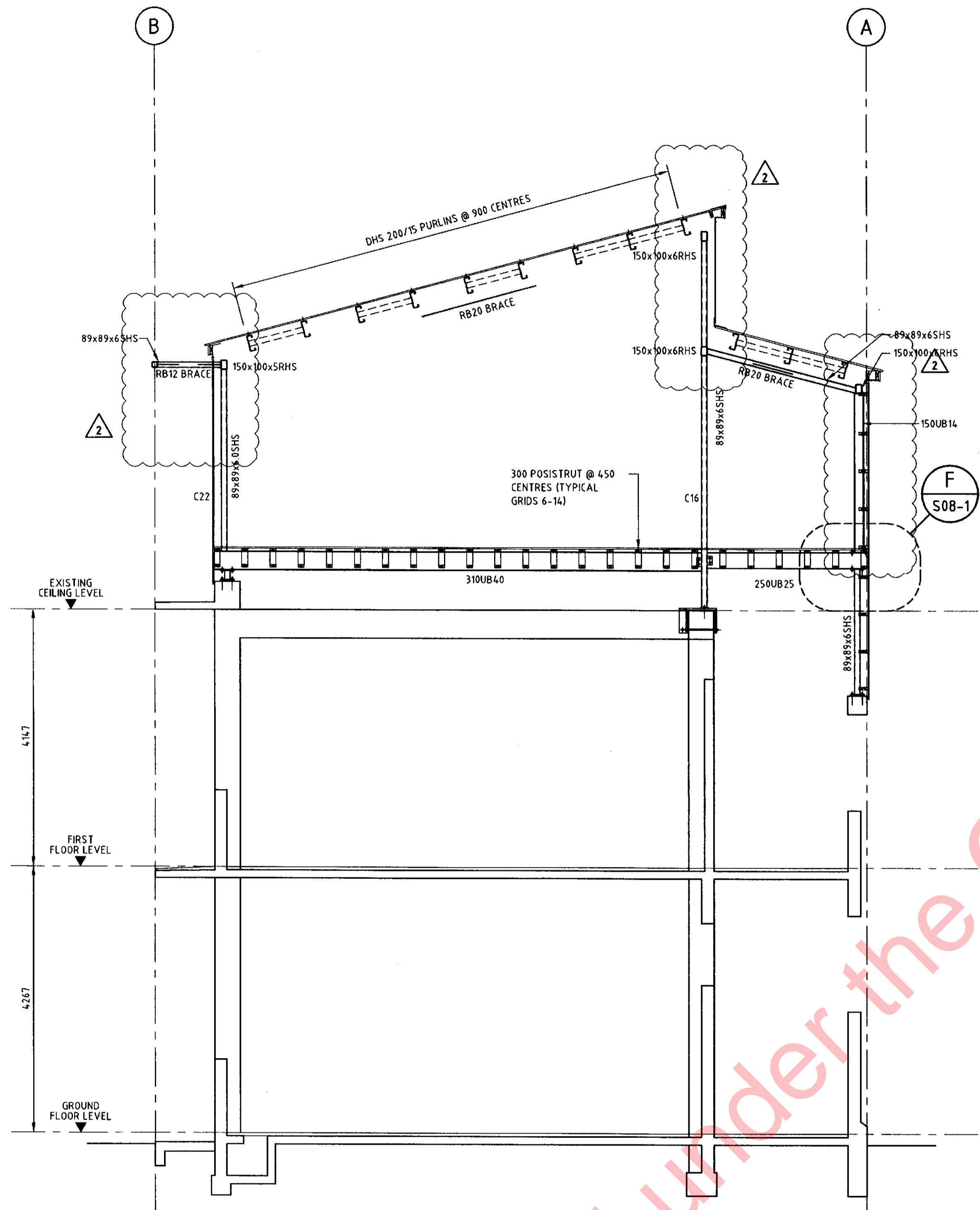
Drawing Title: **ROOF FRAMING PLAN**

CW Project No.	7970 12
Scale	1:50 (@ A1) 1:100 (@ A3)
Drawing No.	S 02
Rev.	2

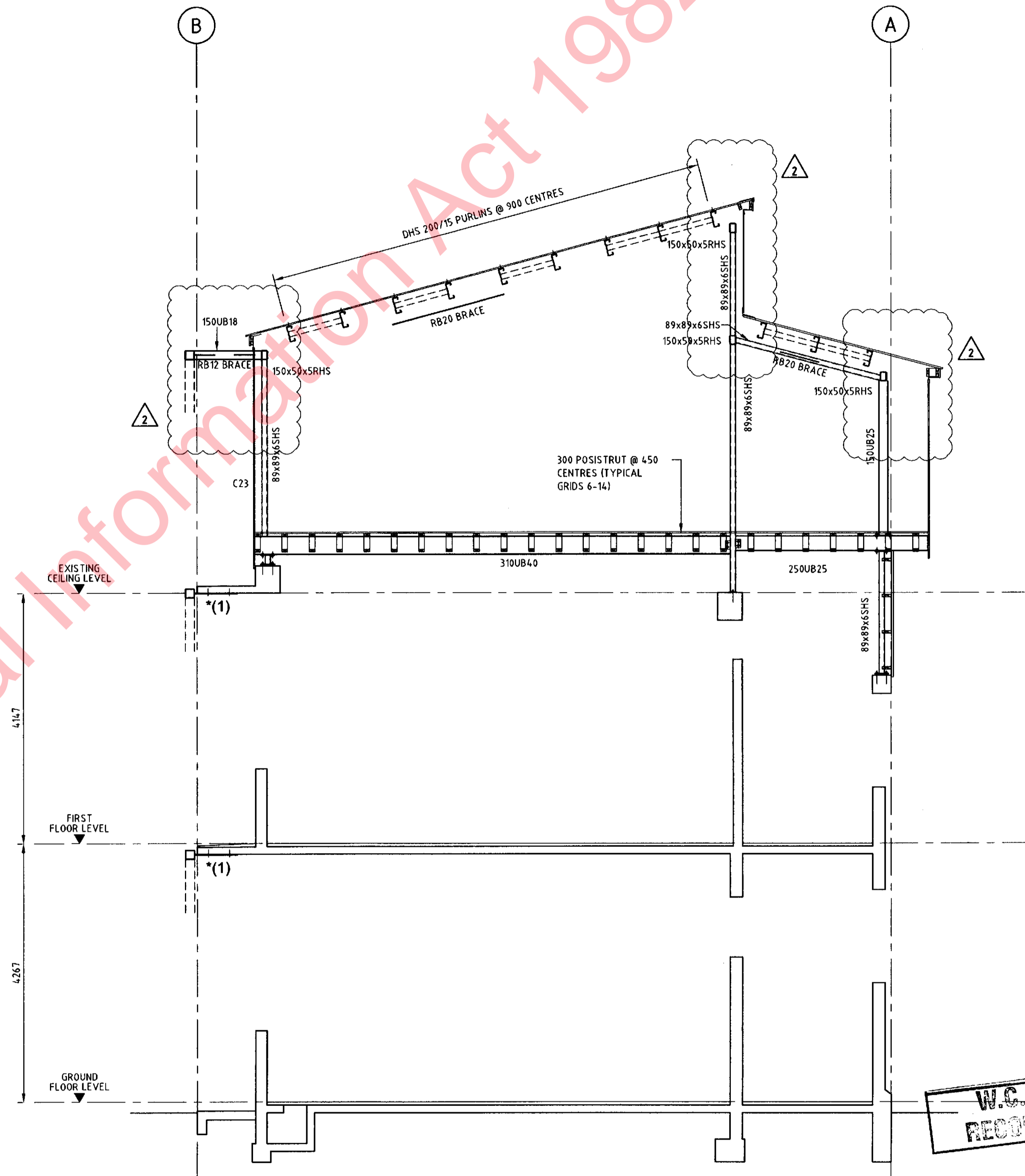
Released under the Official Information Act 1982

Codefile: W:\1970\12\CAD\ROOFELV\CONWAG\WELLINGTON EAST GIRLS COLLEGE\12\ROOF PLAN

A1



SECTION 1
SCALE 1:50 S01 S02



SECTION 2
SCALE 1:50 S01 S02

W.C.C. RECORDS

CONSENT/TENDER

Rev.	Date	Revision Details	By	Ver.	App.
2	10.08.05	FOR CONSENT/TENDER	CM	2.0	
1	05.08.05	PRELIMINARY	ABM	2.0	

Connell Mott MacDonald
...building the future

Connell Wagner Limited
Lumley House, 3 Hunter Street (PO Box 1591)
Wellington New Zealand
Telephone: +64 4 472 9589
Facsimile: +64 4 472 9822
Email: cwel@connwag.com

A person using Connell Mott MacDonald drawings and other data accepts the risk of:
1. using the drawings and other data in electronic form without requesting and checking them for accuracy against the original hard copy versions.
2. using the drawings or other data for any purpose not agreed to in writing by Connell Mott MacDonald.

Client: **WELLINGTON EAST GIRLS COLLEGE**

Project: **EXTENSION TO EAST WING BLOCK 7**

Drawn	Signed	Date
ABM	[Signature]	00-00-00
Designed	Signed	Date
TW	[Signature]	00-00-00
Verified	Signed	Date
CJM		
Approved	Signed	Date
MM		

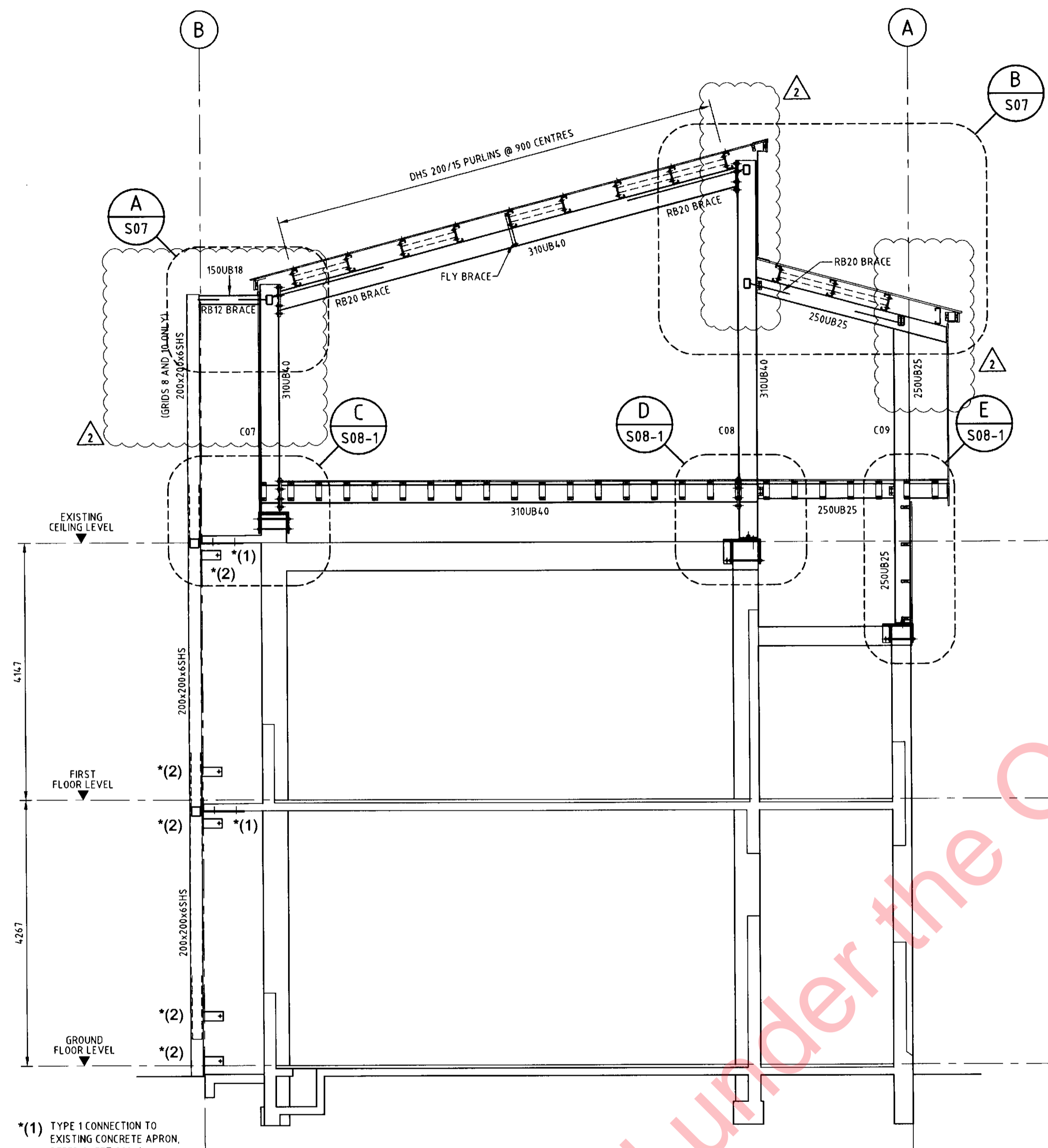
Drawing Title: **CROSS SECTIONS SHEET ONE**

CW Project No. 7970 12	
Scale	1:50 (@ A1) 1:100 (@ A3)
Drawing No.	S 04
Rev.	2

Released under the Official Information Act 1982

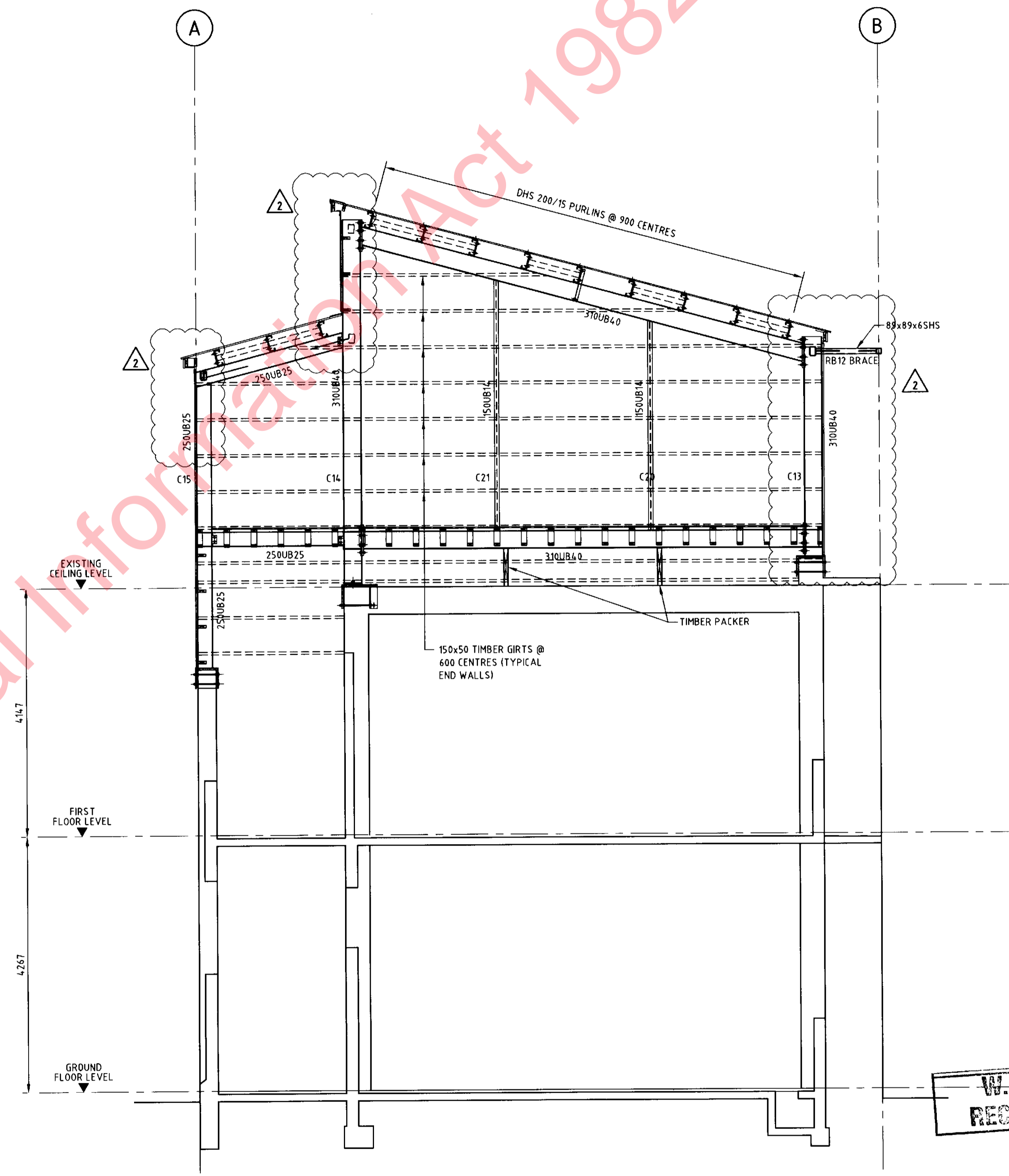
C:\p1\101312\101312.dwg Plot Date: 10/08/05 07:18 Xrefs: H:\101312\101312.dwg H:\101312\101312.dwg H:\101312\101312.dwg

A1



- *(1) TYPE 1 CONNECTION TO EXISTING CONCRETE APRON, REFER SHEET S08-1
- *(2) TYPE 2 CONNECTION TO EXISTING CONCRETE COLUMN, REFER SHEET S08-1

SECTION 3
SCALE 1:50 S01 S02



END ELEVATION (EAST)
(VIEWED FROM OUTSIDE)

SECTION 4
SCALE 1:50 S01 S02

W.C.C. RECORDS

CONSENT/TENDER

Rev.	Date	Revision Details	By	Ver.	App.
2	10.08.05	FOR CONSENT/TENDER	CM	2.0	
1	05.08.05	PRELIMINARY	ABM	2.0	

Connell Mott MacDonald
... building the future

Connell Wagner Limited
Lumley House, 3 Hunter Street (PO Box 1591)
Wellington New Zealand
Telephone: +64 4 472 9589
Facsimile: +64 4 472 9922
Email: cwmel@connwag.com

A person using Connell Mott MacDonald drawings and other data accepts the risk of:
1. using the drawings and other data in electronic form without requesting and checking them for accuracy against the original hard copy versions.
2. using the drawings or other data for any purpose not agreed to in writing by Connell Mott MacDonald.

Client: **WELLINGTON EAST GIRLS COLLEGE**

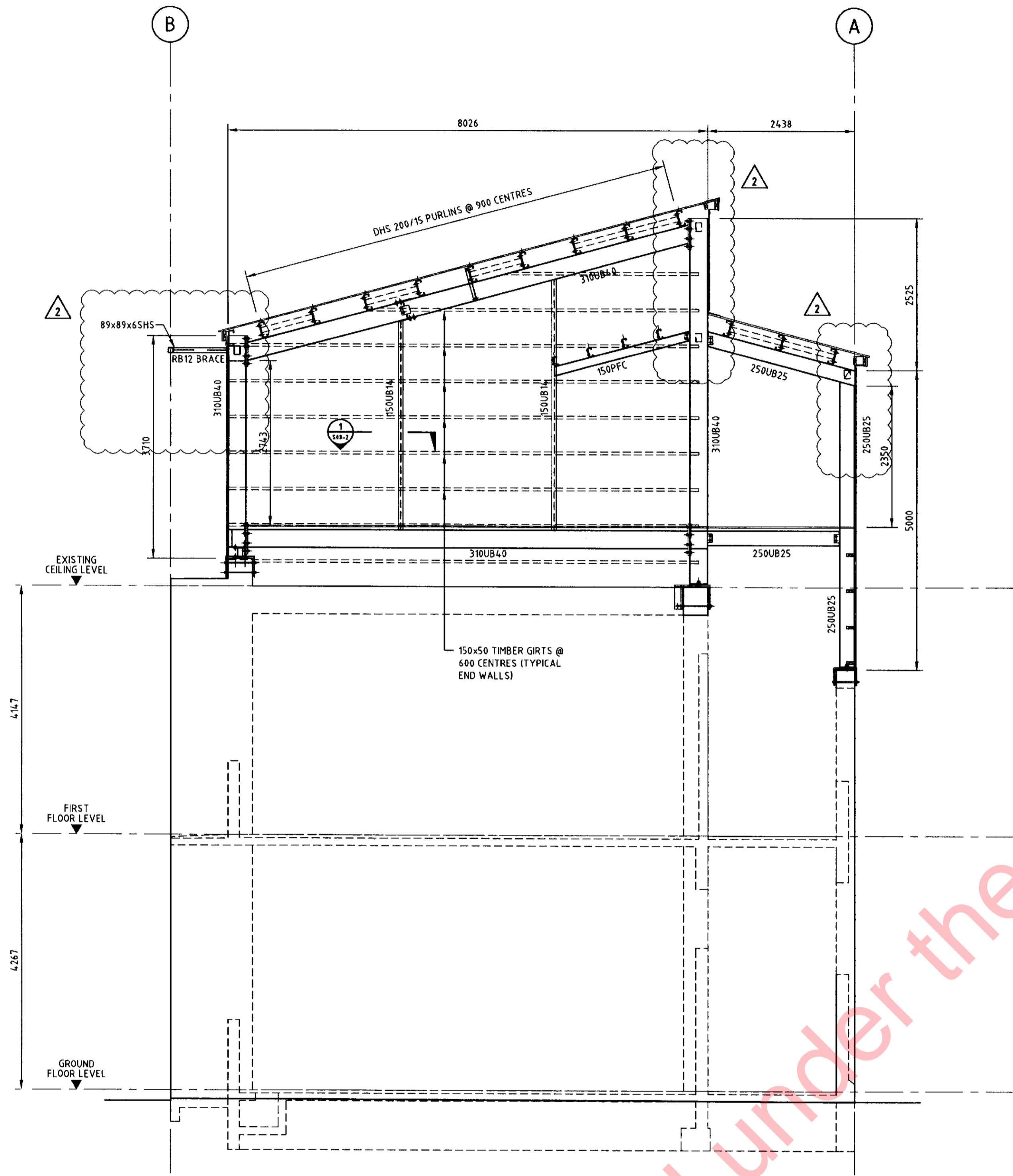
Project: **EXTENSION TO EAST WING BLOCK 7**

Drawn	Signed	Date
ABM	[Signature]	00-00-00
Designed	Signed	Date
TW	[Signature]	00-00-00
Verified	Signed	Date
CJM		
Approved	Signed	Date
MM		

Drawing Title: **CROSS SECTIONS SHEET TWO**

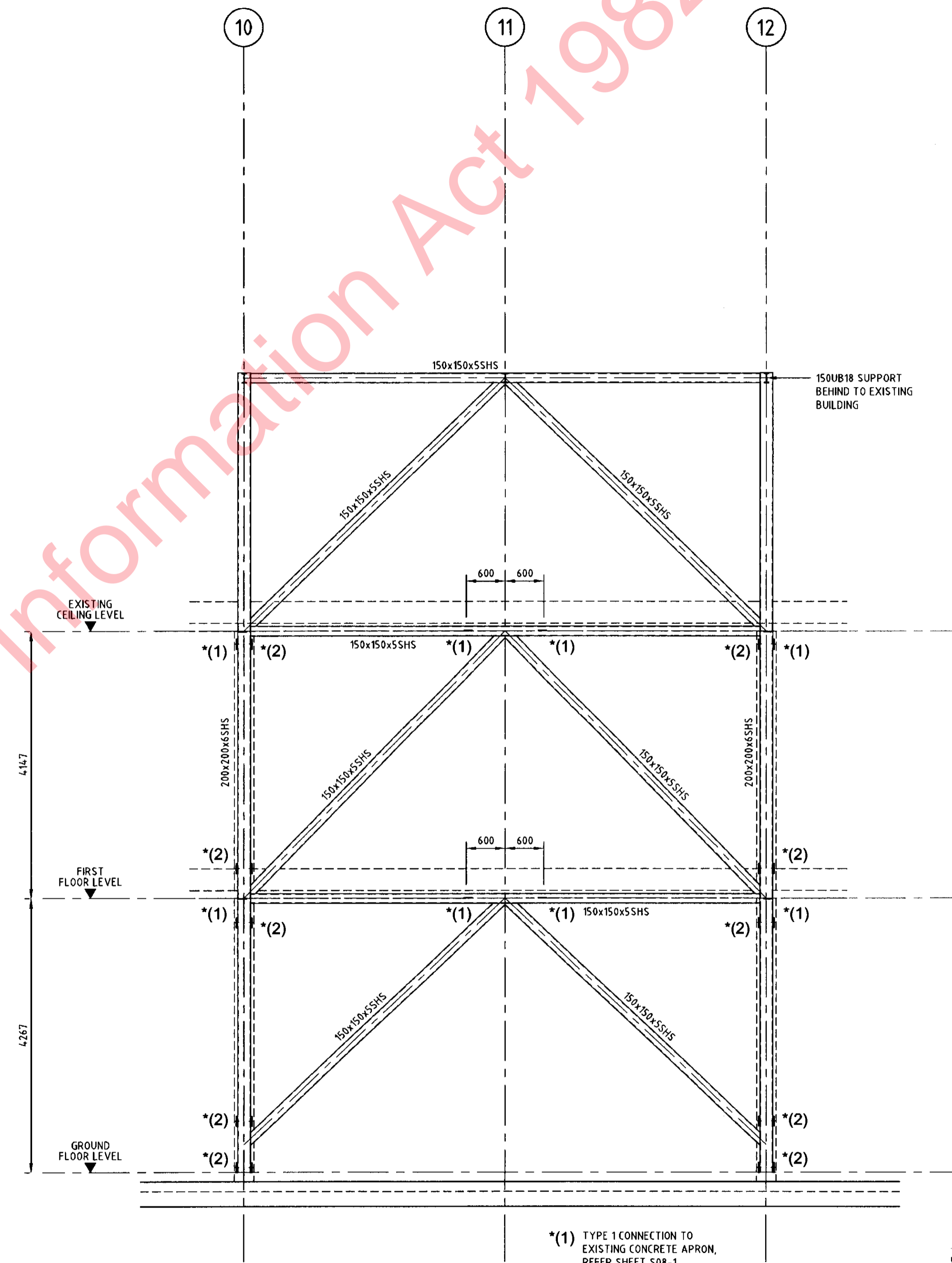
CW Project No. **7970 12**
Scale: 1:50 (@ A1)
1:100 (@ A3)
Drawing No. **S 05** Rev. **2**

Released under the Official Information Act 1982



END ELEVATION (WEST)
(VIEWED FROM OUTSIDE - PORTAL SETOUT)

SECTION 5
SCALE 1:50 S01 S02



*(1) TYPE 1 CONNECTION TO EXISTING CONCRETE APRON, REFER SHEET S08-1
*(2) TYPE 2 CONNECTION TO EXISTING CONCRETE COLUMN, REFER SHEET S08-1

SECTION 6
SCALE 1:50 S01 S02

W.C.C. RECORDS

CONSENT/TENDER

Rev.	Date	Revision Details	By	Ver.	App.
2	10.08.05	FOR CONSENT/TENDER	CM	✓	
1	05.08.05	PRELIMINARY	ABM	✓	

Connell Mott MacDonald
...building the future
Connell Wagner Limited
Lumley House, 3 Hunter Street (PO Box 1591)
Wellington New Zealand
Telephone: +84 4 472 9589
Facsimile: +84 4 472 9922
Email: cww@connwag.com

Client: WELLINGTON EAST GIRLS COLLEGE

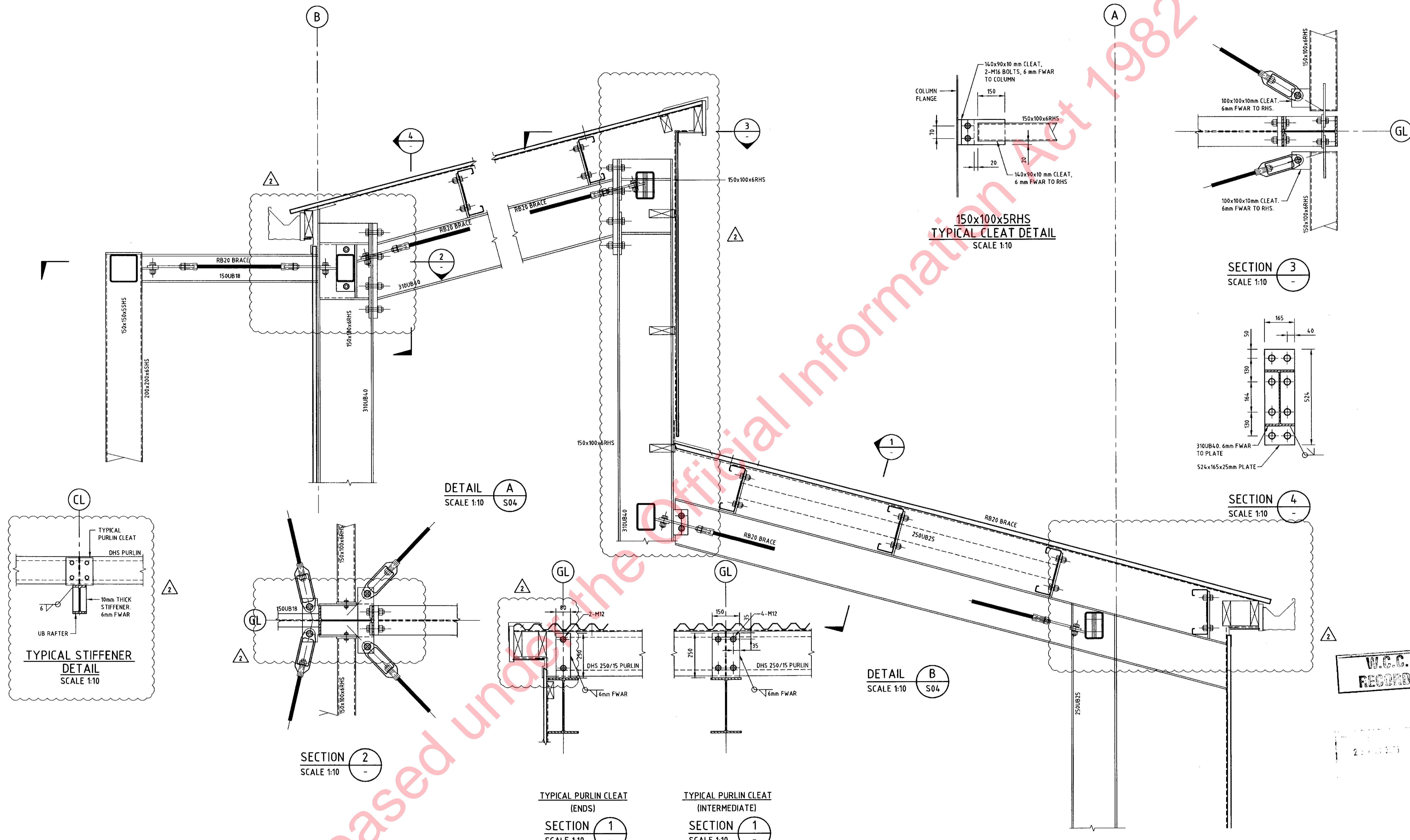
Project: EXTENSION TO EAST WING BLOCK 7

Drawn	Signed	Date
ABM	[Signature]	00-00-00
Designed	Signed	Date
TW	[Signature]	00-00-00
Verified	Signed	Date
CJM		
Approved	Signed	Date
MM		

Drawing Title: CROSS SECTIONS SHEET THREE

CW Project No.	7970 12
Scale	1:50 (@ A1) 1:100 (@ A3)
Drawing No.	S 06
Rev.	2

Released under the Official Information Act 1982



Released under the Official Information Act 1982

W.C.G. RECORDS

CONSENT/TENDER

Rev.	Date	Revision Details	By	Ver.	App.
2	10.08.05	FOR CONSENT/TENDER	CM	2	
1	05.08.05	PRELIMINARY	ABM	1	

Connell Mott MacDonald
... building the future
 Connell Wagner Limited
 Lumley House, 3 Hunter Street (PO Box 1591)
 Wellington New Zealand
 Telephone: +64 4 472 9589
 Facsimile: +64 4 472 9922
 Email: cw@cmw.com

A person using Connell Wagner drawings and other data accepts the risk of:
 1. using the drawings and other data in electronic form without requesting and checking them for accuracy against the original hard copy versions;
 2. using the drawings or other data for any purpose not agreed to in writing by Connell Wagner.

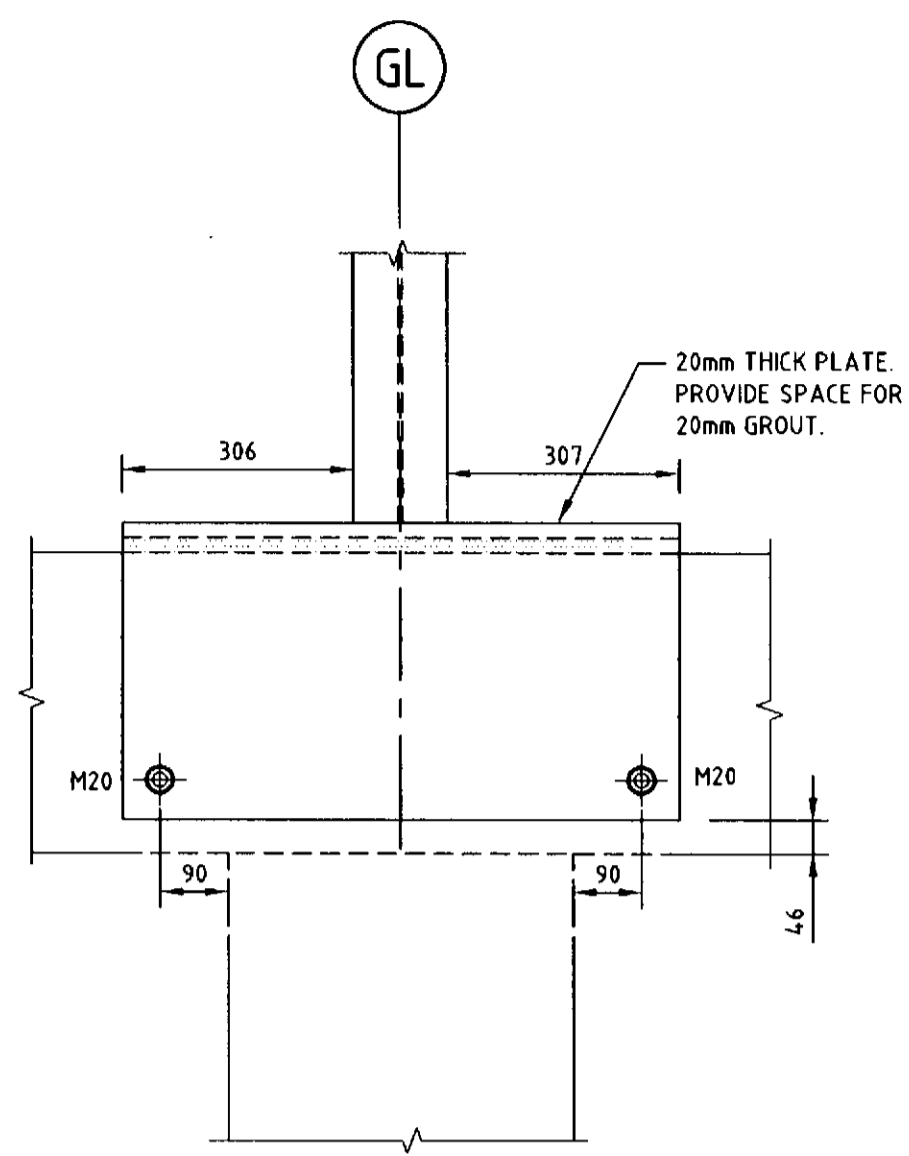
Client: **WELLINGTON EAST GIRLS COLLEGE**

Project: **EXTENSION TO EAST WING BLOCK 7**

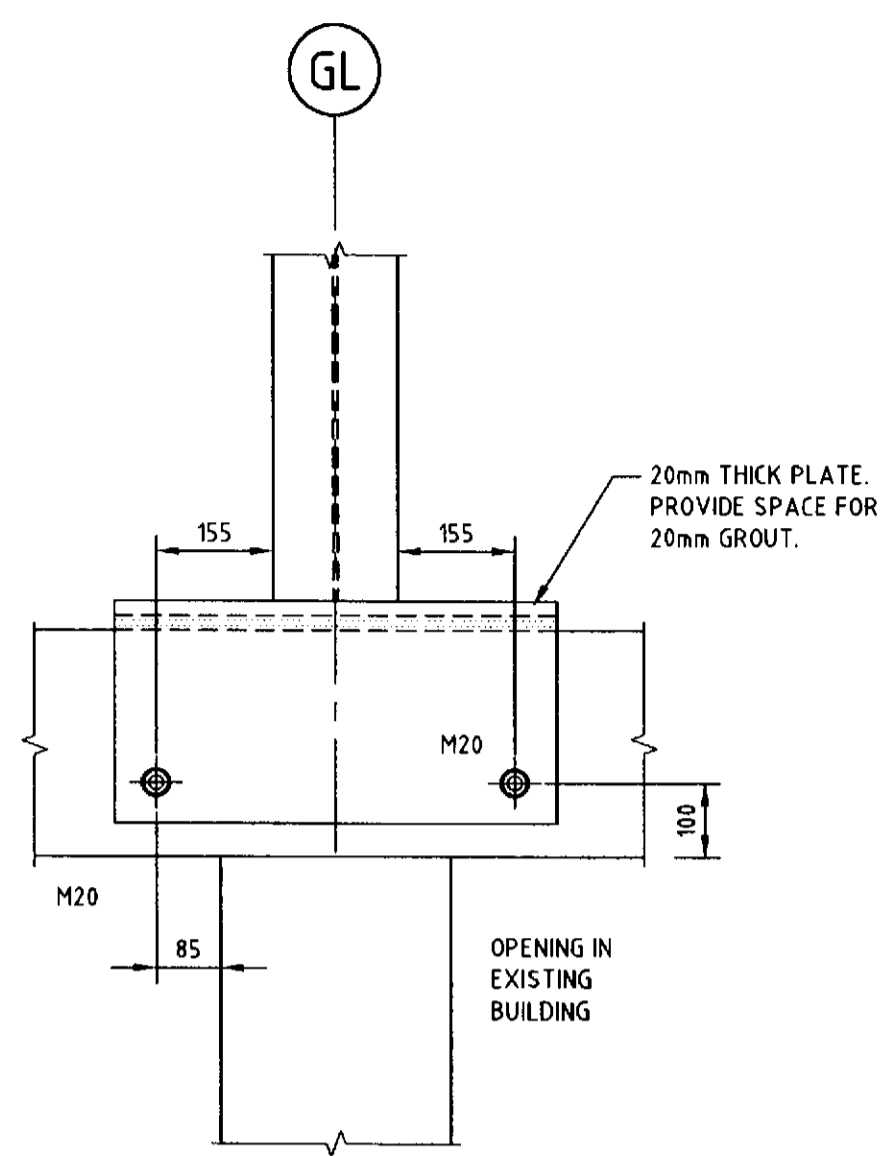
Drawn ABM	Signed <i>[Signature]</i>	Date 00-00-00
Designed TW	Signed <i>[Signature]</i>	Date 00-00-00
Verified CJM	Signed	Date
Approved MM	Signed	Date

Drawing Title: **DETAILS SHEET ONE**

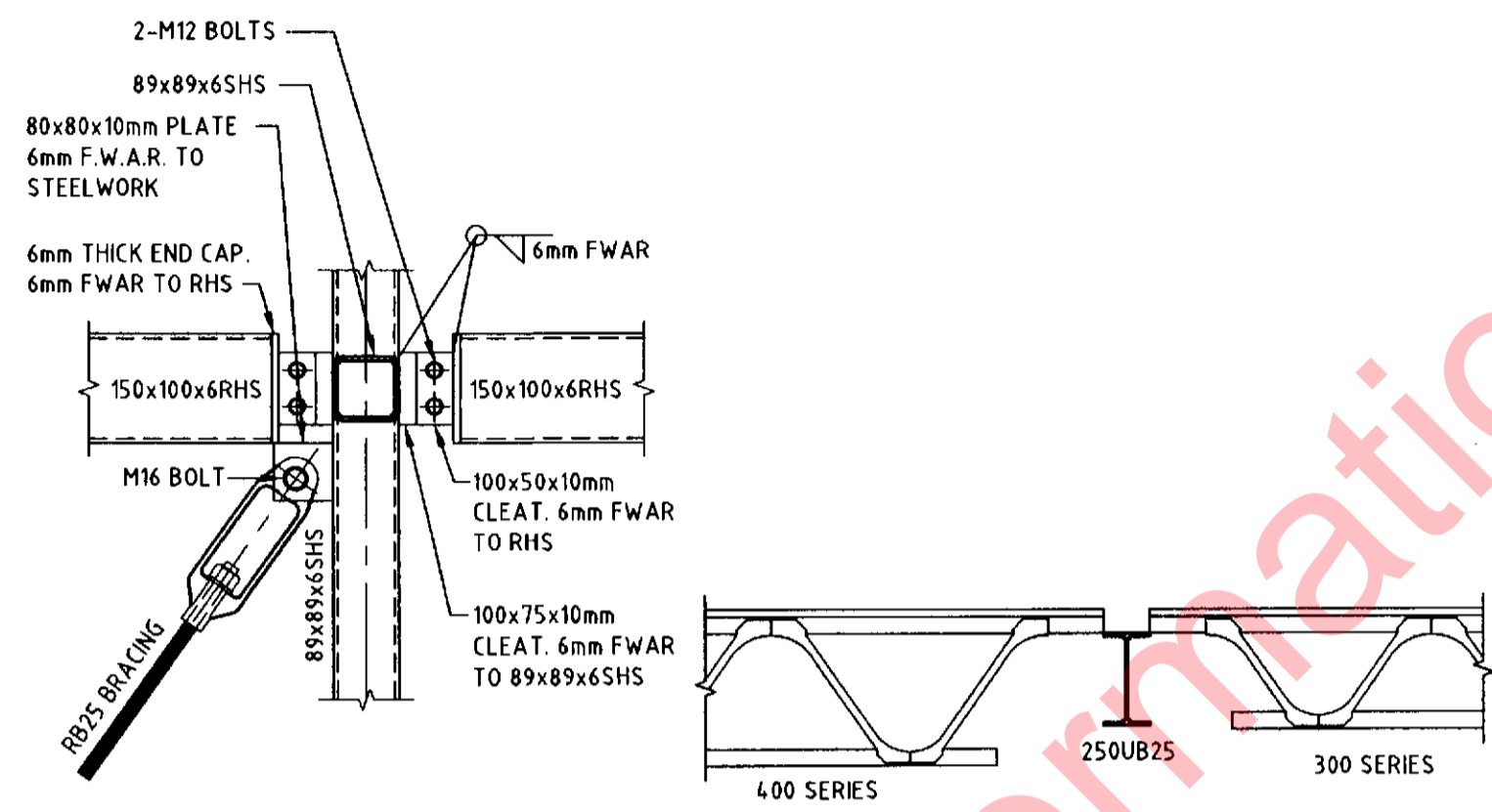
CW Project No. 7970 12	
Scale 1:10 (@ A1) 1:20 (@ A3)	Rev. S 07 2



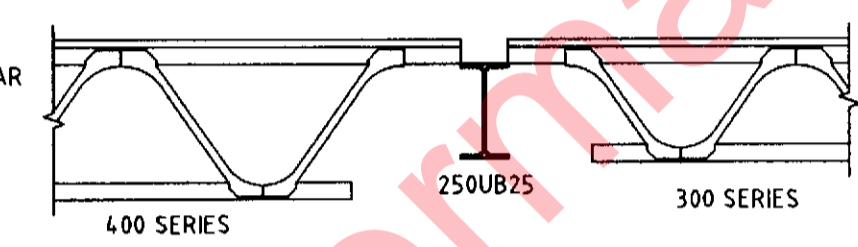
SECTION 3
SCALE 1:10
S08-1



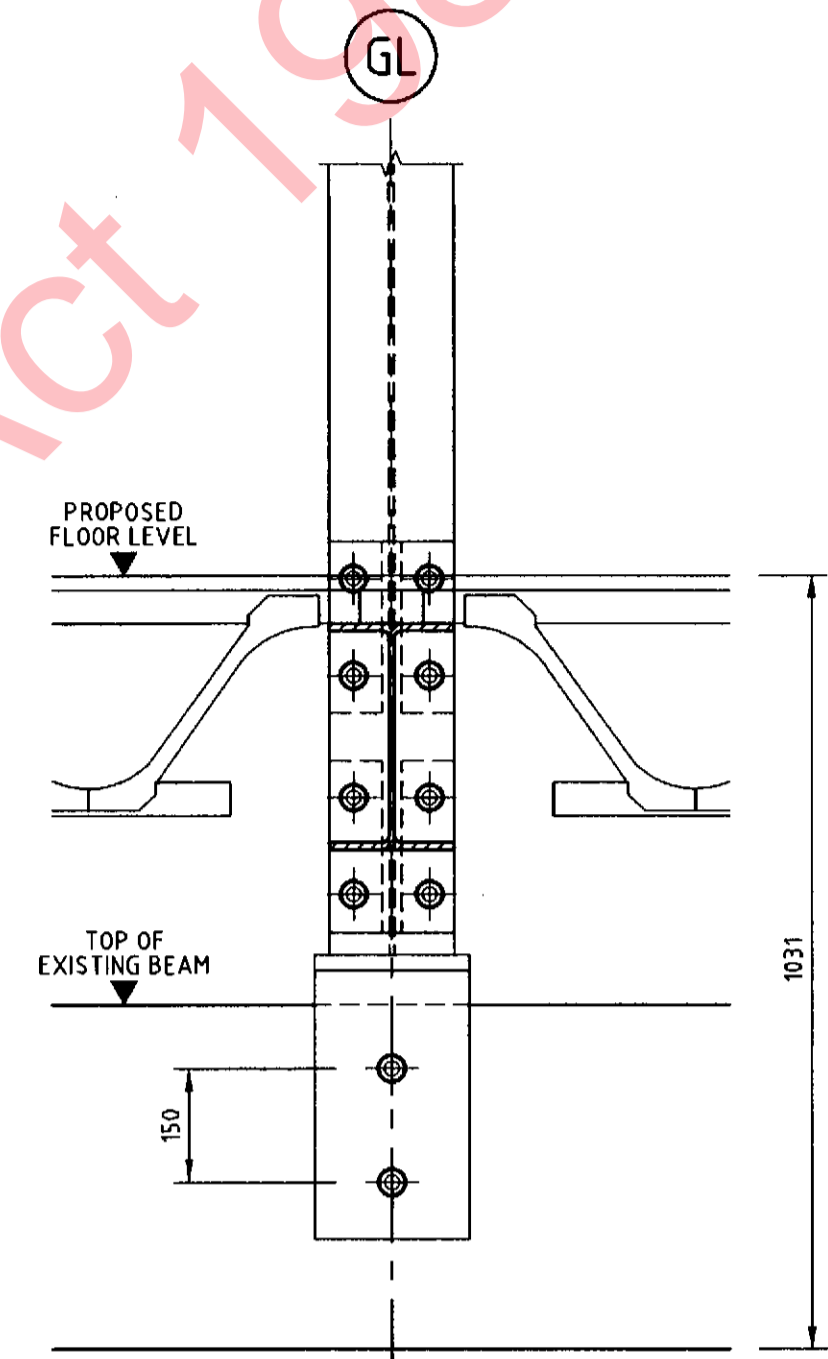
SECTION 5
SCALE 1:10
S08-1



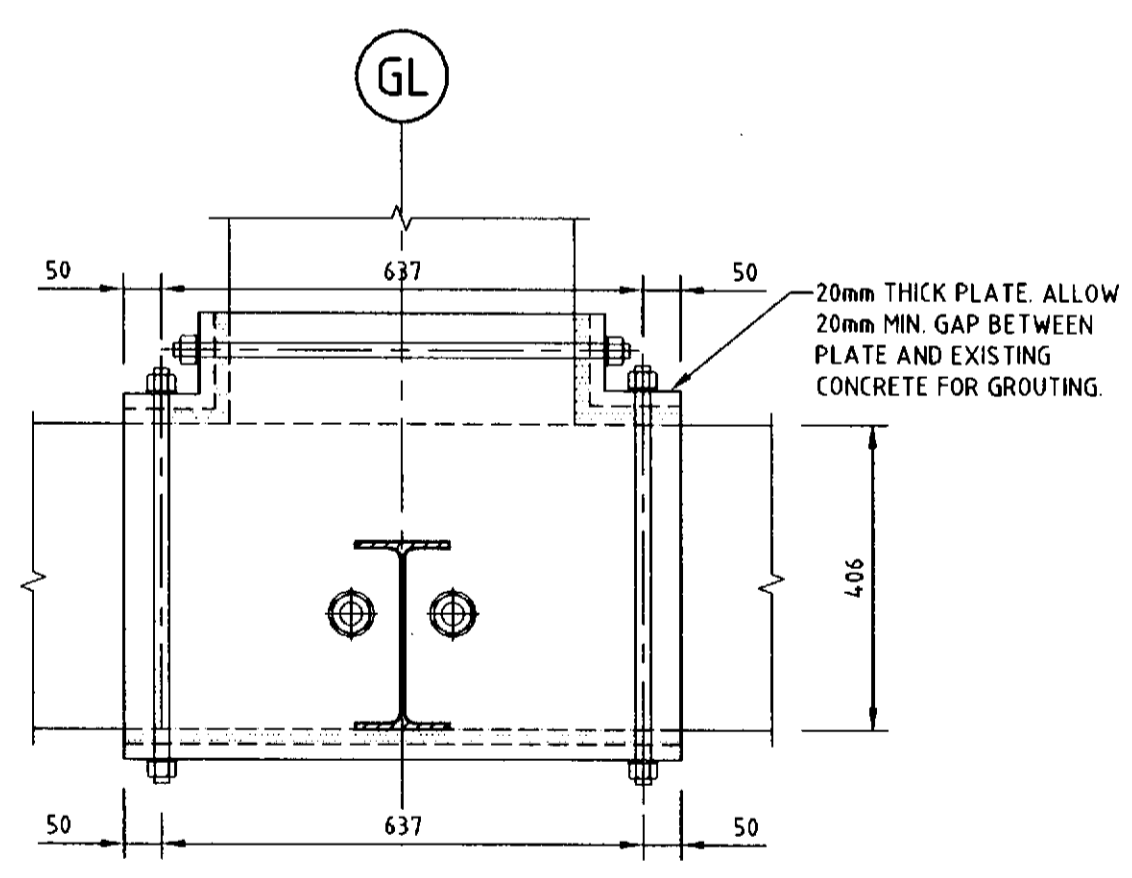
DETAIL A
SCALE 1:10
S03



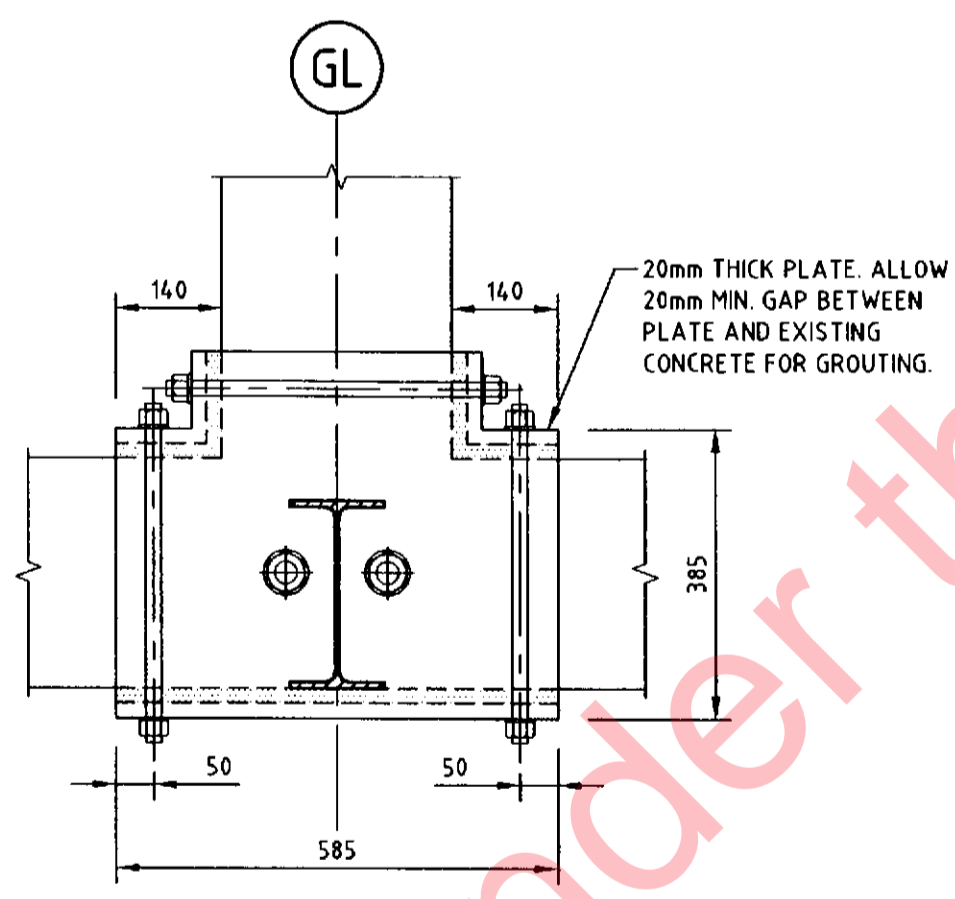
SECTION 6
SCALE 1:20
S01



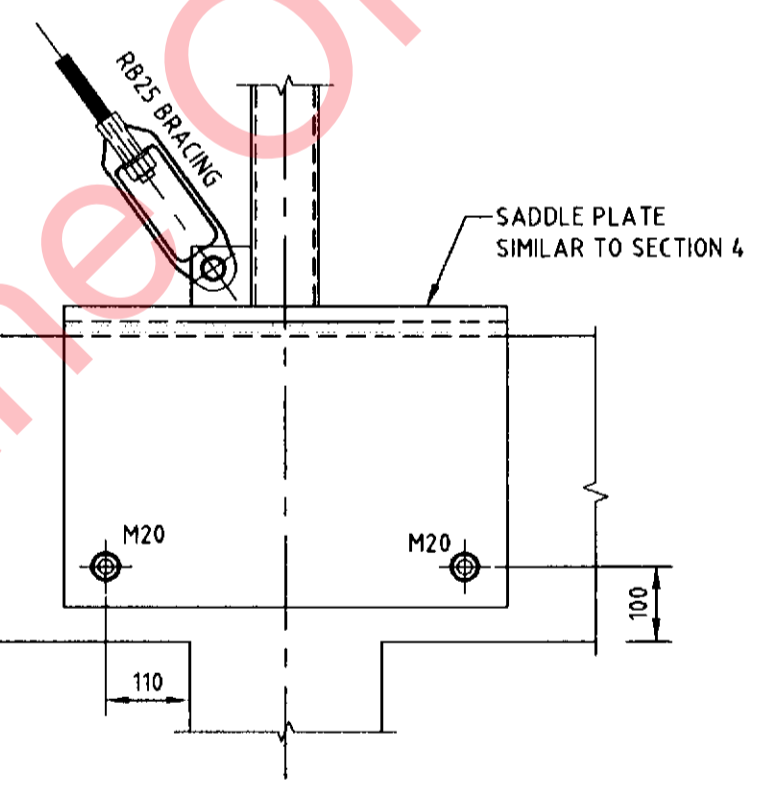
SECTION 2
SCALE 1:10
S08-1



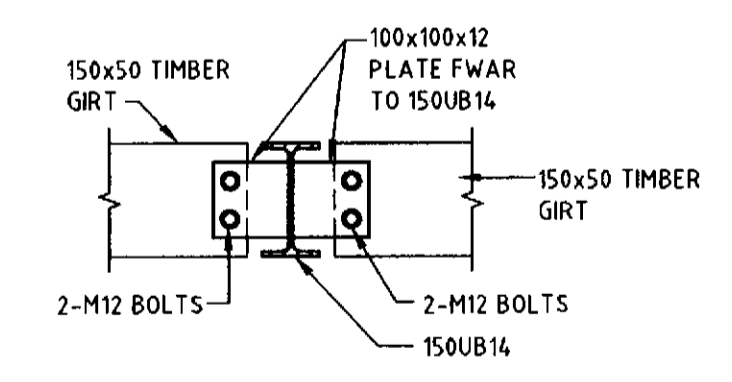
SECTION 4
SCALE 1:10
S08-1



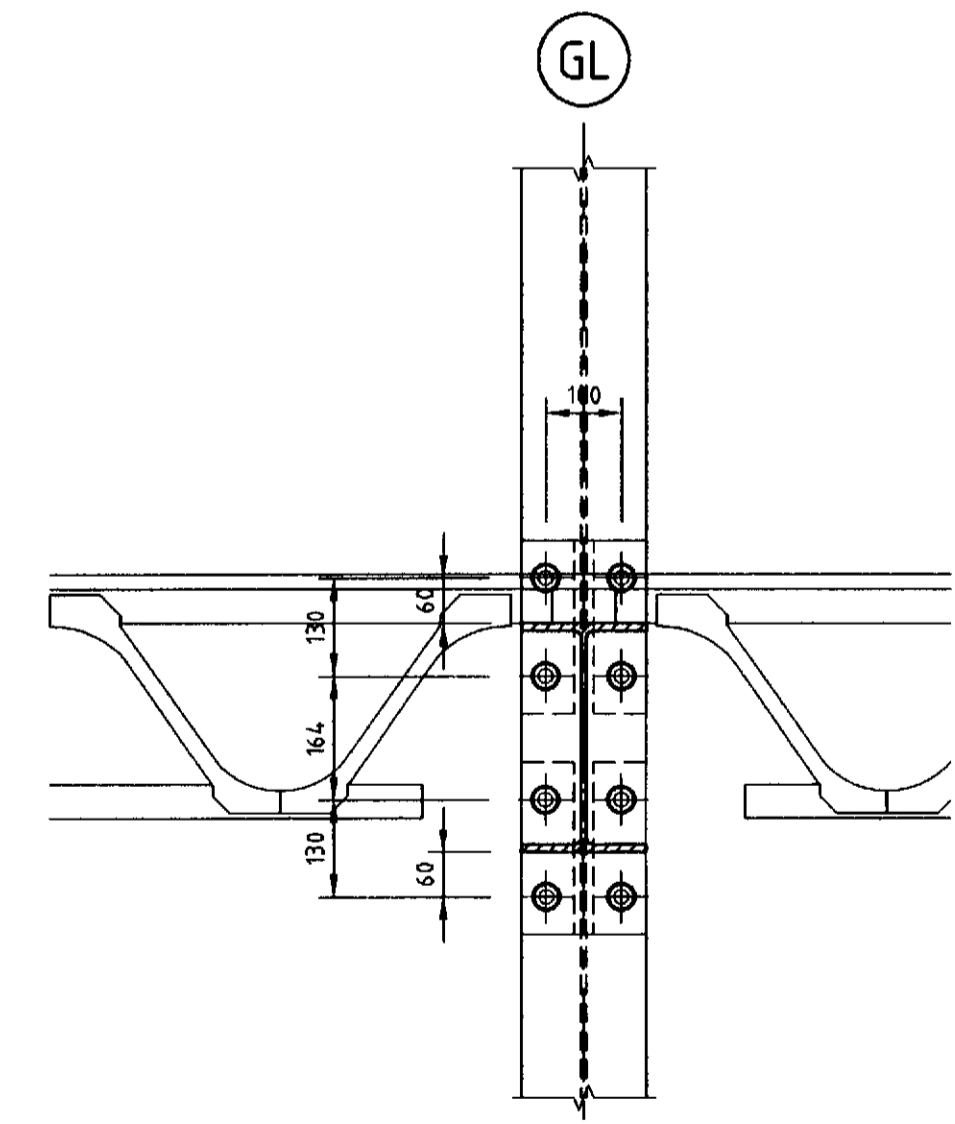
SECTION 6
SCALE 1:10
S08-1



DETAIL B
SCALE 1:10
S03



SECTION 1
SCALE 1:10
S06



SECTION 1
SCALE 1:10
S08-1

W.C.C. RECORDS

- NOTES:
- 1) CONTRACTOR SHALL AVOID DAMAGING ANY EXISTING REINFORCING WHEN DRILLING. METAL DETECTOR MAY BE REQUIRED TO LOCATE EXISTING REO REINFORCING.
 - 2) THE DIMENSIONS OF THE SADDL SHALL BE BASED ON SITE MEASUREMENTS TAKEN PRIOR TO WORK COMMENCING.
 - 3) THE SADDLE STEEL SHALL BE PROPERLY SEALED BEFORE GROUTING.

CONSENT/TENDER

Rev.	Date	Revision Details	By	Ver.	App.
2	10.08.05	FOR CONSENT/TENDER	CM		
1	05.08.05	PRELIMINARY	ABM		

Connell Mott MacDonald
...building the future

Connell Wagner Limited
Lumley House, 3 Hunter Street (PO Box 1591)
Wellington New Zealand

Telephone: +64 4 472 9589
Facsimile: +64 4 472 9922
Email: cwel@connwag.com

A person using Connell Mott MacDonald drawings and other data accepts the risk of:
1. using the drawings and other data in electronic form without requesting and checking them for accuracy against the original hard copy versions.
2. using the drawings or other data for any purpose not agreed to in writing by Connell Mott MacDonald.

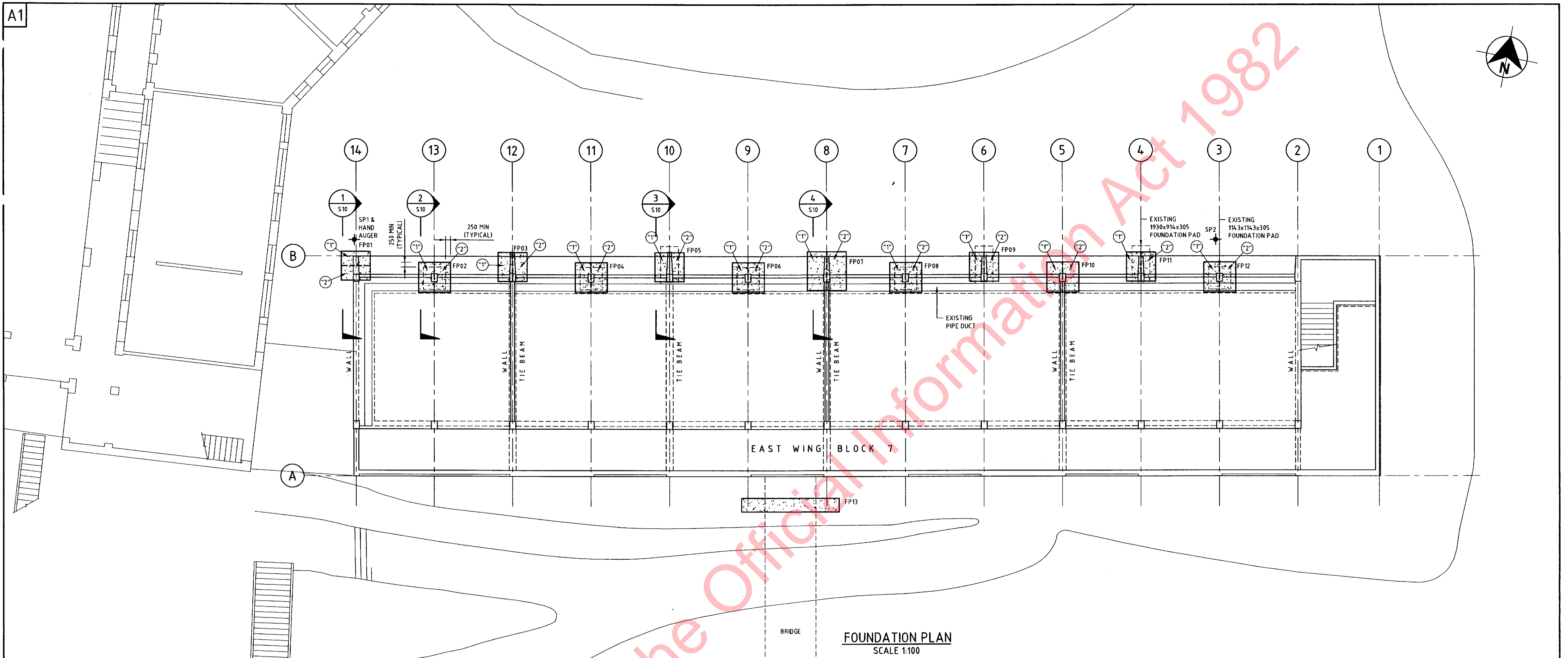
Client: WELLINGTON EAST GIRLS COLLEGE

Project: EXTENSION TO EAST WING BLOCK 7

Drawn	Signed	Date
ABM	[Signature]	00-00-00
Designed	Signed	Date
TW	[Signature]	00-00-00
Verified	Signed	Date
CJM		
Approved	Signed	Date
MM		

Drawing Title: DETAILS SHEET THREE

CW Project No.	Scale	Drawing No.	Rev.
7970 12	SHOWN	S 08-2	2



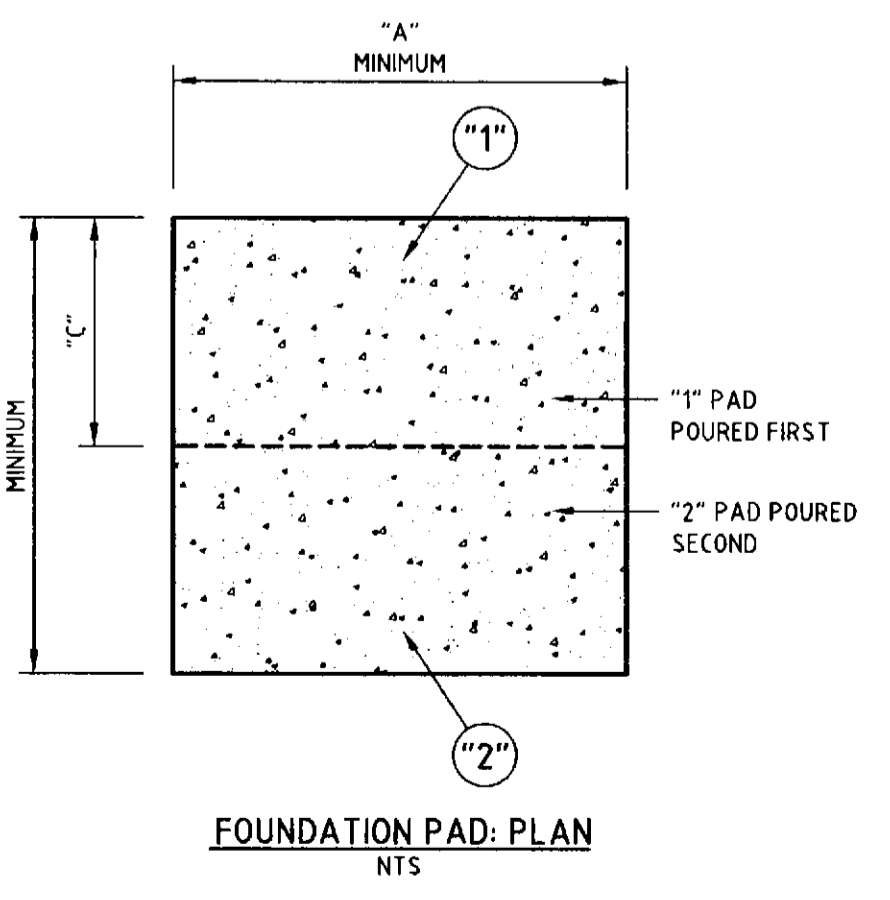
FOUNDATION PLAN
SCALE 1:100

FOUNDATION SCHEDULE					
PAD No	"A"	"B"	"C"	FOUNDATION DEPTH (MIN)	REINFORCEMENT
FP01	1650	1650	825	600	RB20 - 300 CENTRES
FP02	1650	1650	825	600	n/a
FP03	1650	1650	825	600	RB20-300 CENTRES
FP04	1650	1650	825	600	n/a
FP05	1650	1650	825	600	n/a
FP06	1650	1650	825	600	n/a
FP07	1650	1650	825	600	n/a
FP08	2000	2000	1000	700	RB20-300 CENTRES
FP09	1650	1650	825	600	n/a
FP10	1650	1650	825	600	n/a
FP11	1650	1650	825	600	RB20-300 CENTRES
FP12	1650	1650	825	600	n/a
FP13	5000	700	-	600	4-H16 T&B, R12 STPS-300 CRS.
FP14	5000	600	-	600	4-H16 T&B, R12 STPS-300 CRS.

- NOTES**
- EACH UNDERPIN IS TO BE EXCAVATED AND POURED IN TWO STAGES DENOTED "1" AND "2"
 - n/a IN SCHEDULE DENOTES FOOTING IS MASS CONCRETE
 - ALL UNDERPINNING FOOTINGS $f'c = 20 \text{ MPa}$
 - FOUNDING LEVEL OF ALL UNDERPINS TO BE APPROVED BY ENGINEER
 - START THE CONSTRUCTION OF FP01

KEY
 APPROX POSITION OF SCALA PENETROMETER

- Construction of Underpins**
- The underpins are to be constructed such that the building is supported at all times.
 - Before constructing any underpins monitoring points for x,y,z are to be made on the building and monitored during the course of the underpinning operations at weekly intervals and fortnightly for two months after completion of the underpins.
 - The underpin at each location is to be constructed in two stages, refer to the drawings for the details.
 - Erection of structural steel work on the upper floor and the construction of the new floor and roof may proceed while the underpins are being constructed.
 - The internal partitions or the loading in or materials may not commence above any area where the underpin has not been completed. This includes the fire rating of the ceiling of the existing second floor.
 - Concrete strength to reach 17 MPa prior to starting the excavation for the second sequence of the individual underpins.
 - The contractor is to forward a proposed methodology, program sequence of underpins prior to commencement on site.
 - The underpin area and adjacent roadway to be kept to a reasonable level of cleanliness.



W.C.G. RECORDS

CONSENT/TENDER

Rev.	Date	Revision Details	By	Ver.	App.
2	10.08.05	FOR CONSENT/TENDER	CM	2.0	
1	05.08.05	PRELIMINARY	ABM	1.0	

Connell Mott MacDonald
... building the future
 Connell Wagner Limited Telephone: +64 4 472 9589
 Lumley House, 3 Hunter Street (PO Box 1591) Facsimile: +64 4 472 9922
 Wellington New Zealand Email: cwmw@connm.com

Client: **WELLINGTON EAST GIRLS COLLEGE**

Project: **EXTENSION TO EAST WING BLOCK 7**

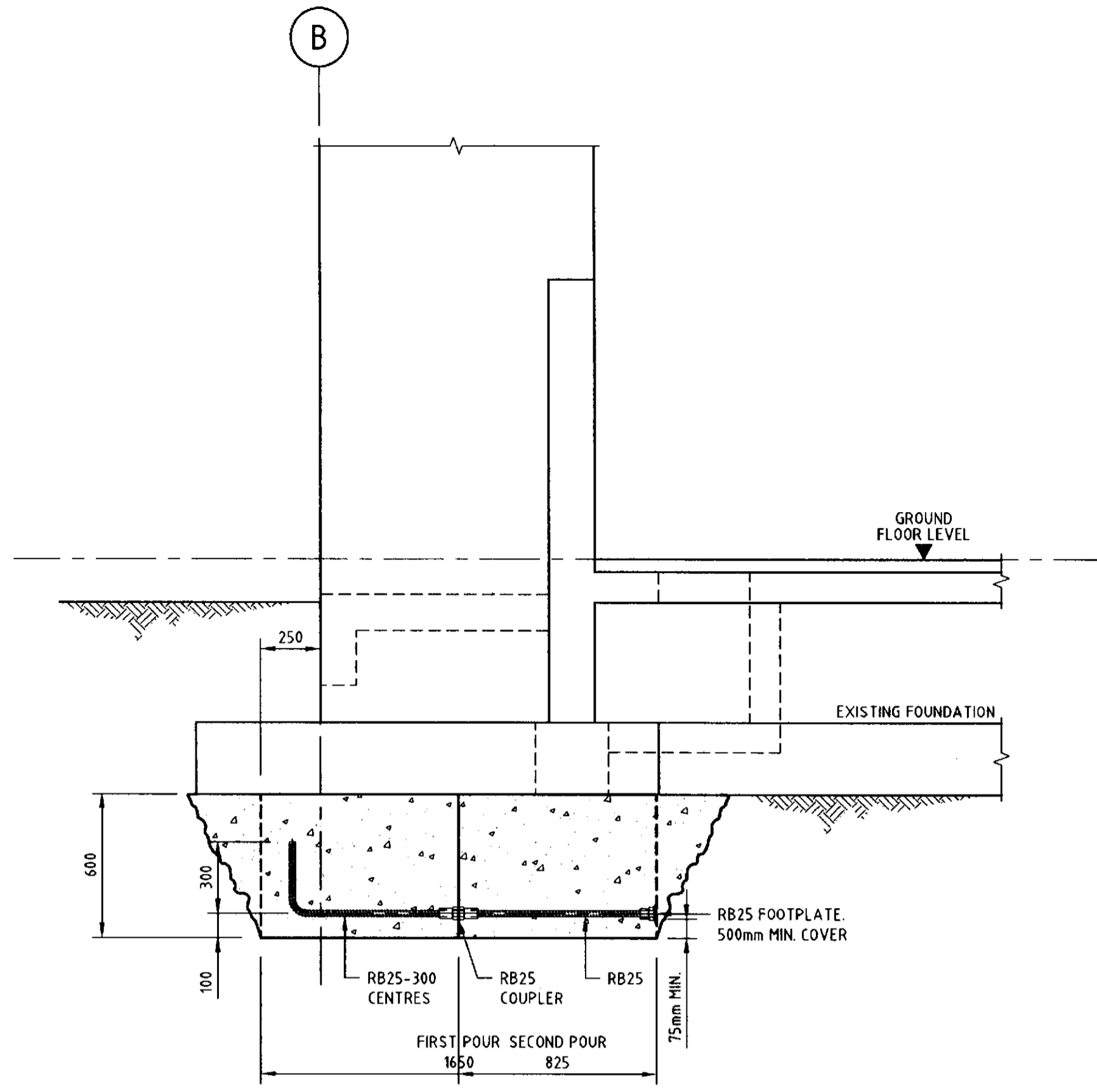
Drawn	Signed	Date
ABM		00-00-00
Designed		00-00-00
Verified		Date
CJM		Date
Approved		Date
MM		Date

Drawing Title: **FOUNDATION STRENGTHENING PLAN**

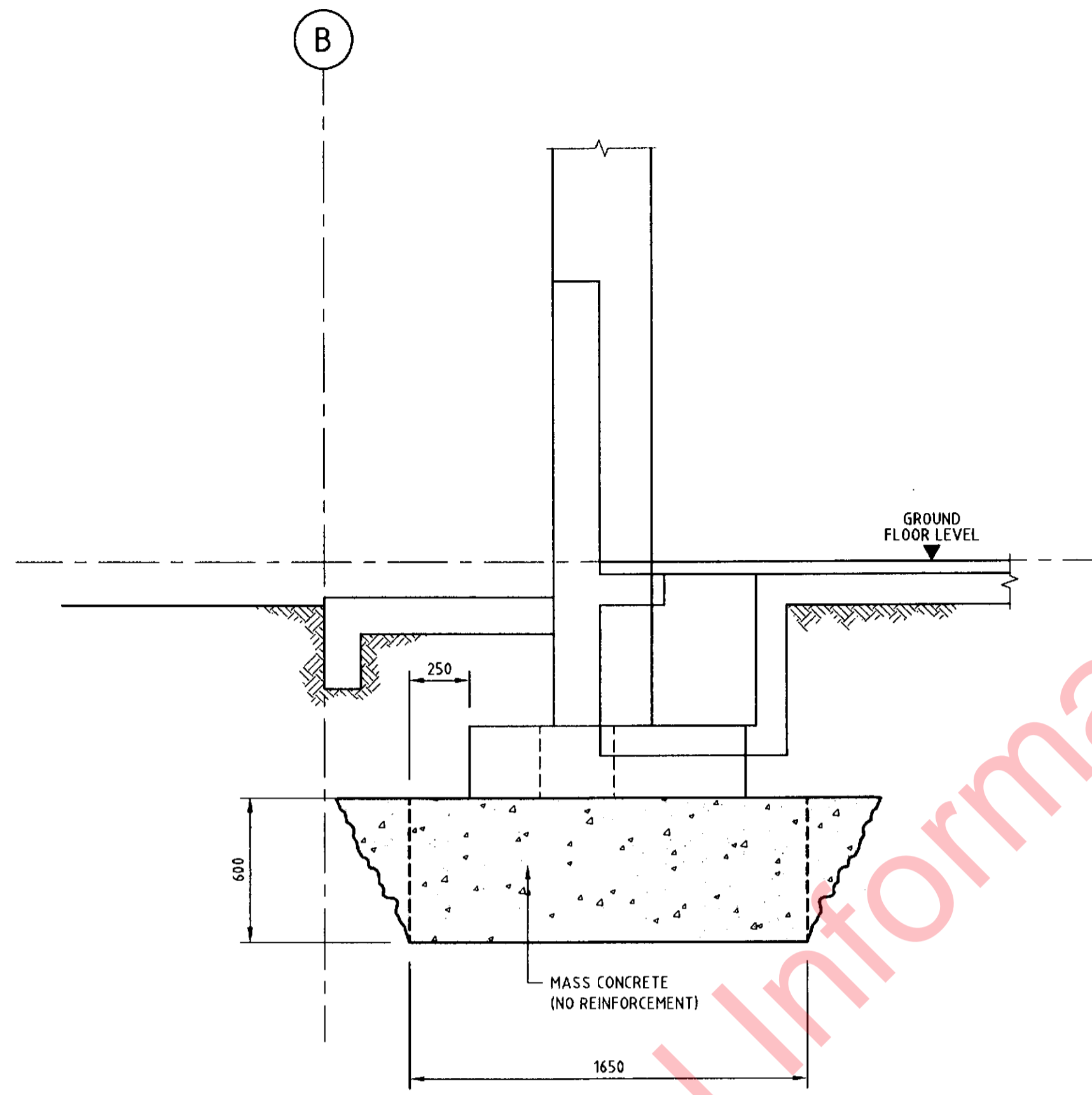
CW Project No.	7970 12
Scale	1:100 (@ A1) 1:200 (@ A3)
Drawing No.	S 09
Rev.	2

DATE: 10/08/2005 10:05:05 AM BY: CMW/MS/05 01/05 2005 10:05:05 AM

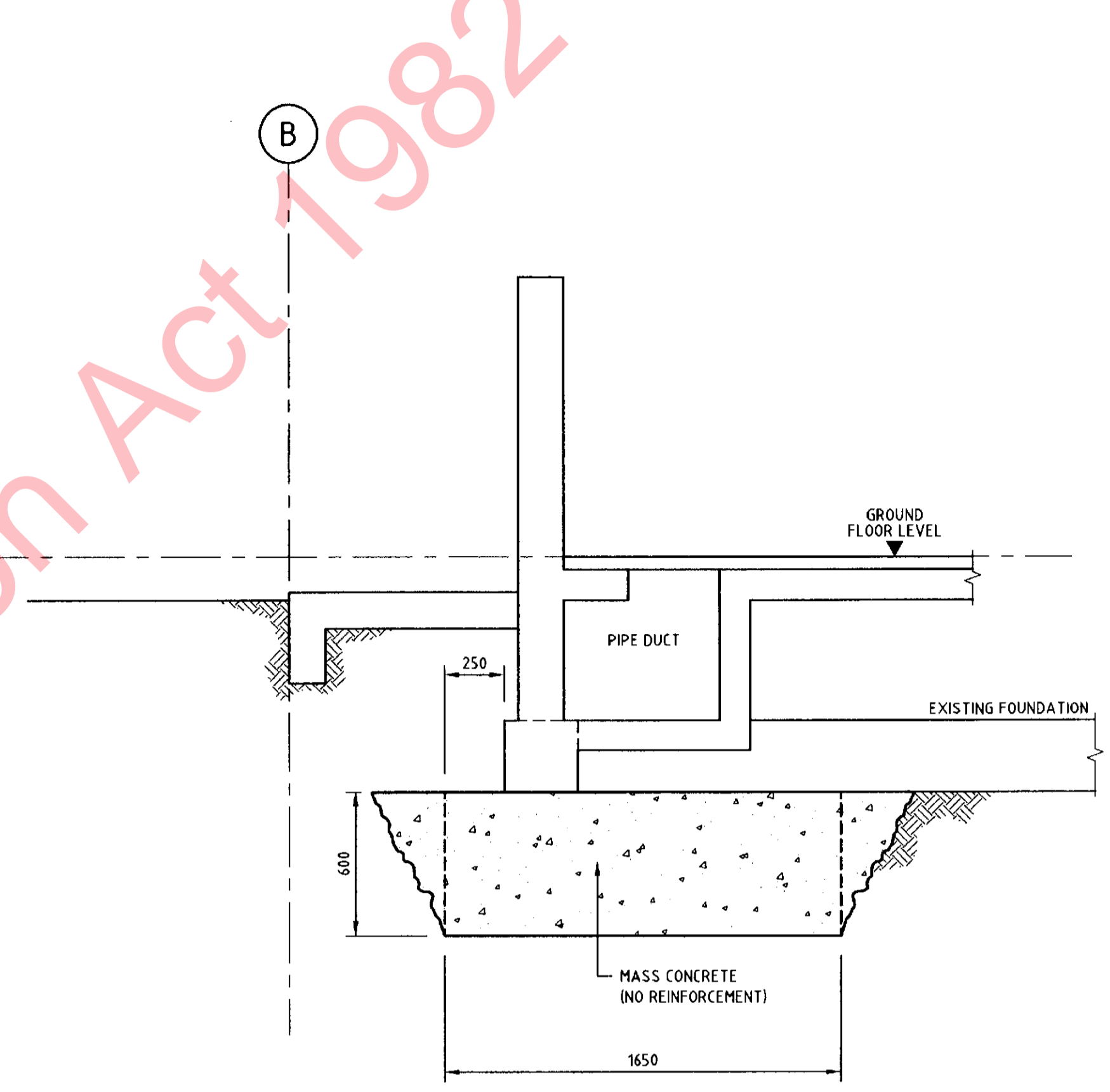
A1



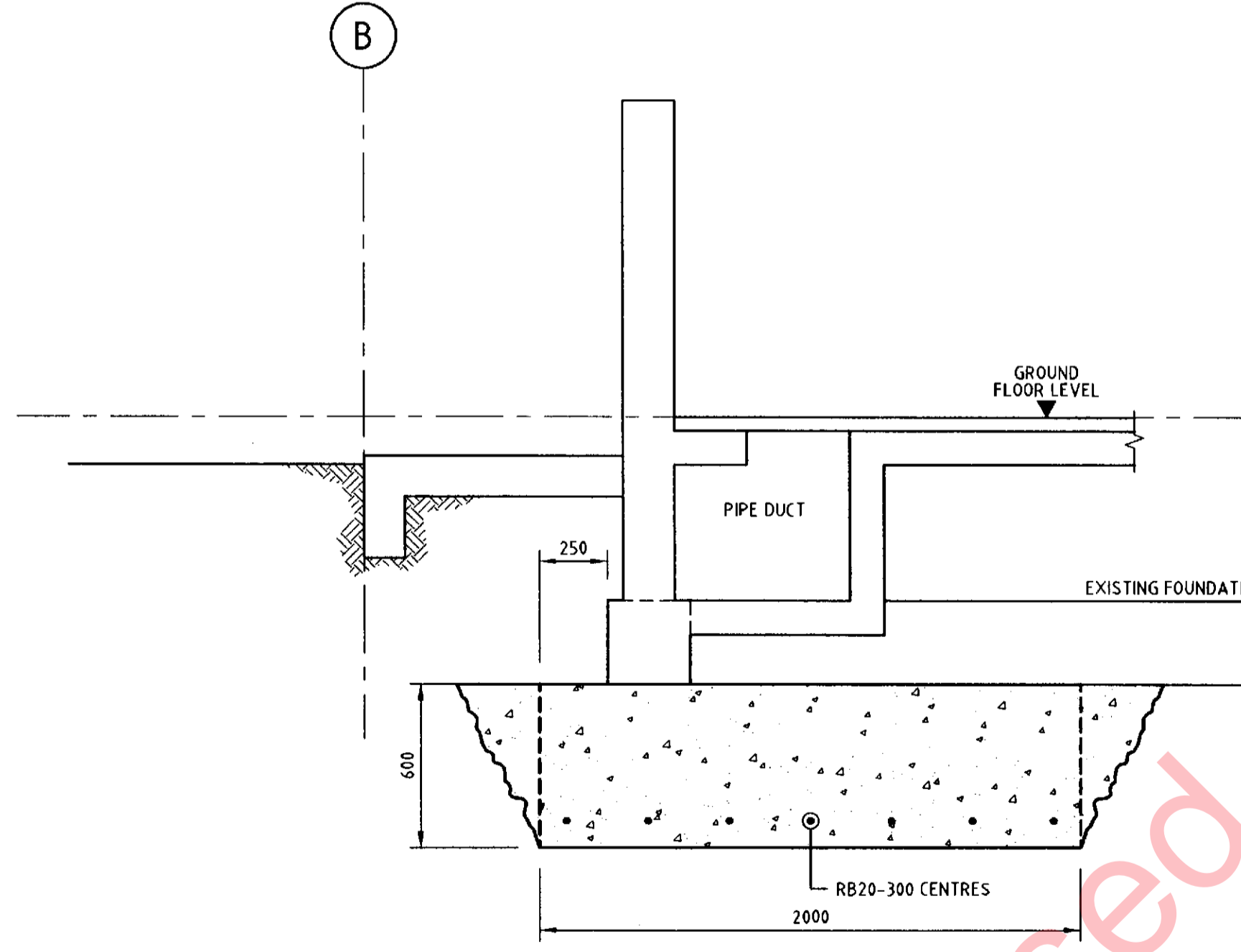
FOUNDATION PAD FP01
SECTION 1
SCALE 1:20 S09



FOUNDATION PAD FP02
SECTION 2
SCALE 1:20 S09



FOUNDATION PAD FP05
SECTION 3
SCALE 1:20 S09



FOUNDATION PAD FP07
SECTION 4
SCALE 1:20 S09

W.C.C. RECORDS

2008/08/05

CONSENT/TENDER

Rev.	Date	Revision Details	By	Ver.	App.
2	10.08.05	FOR CONSENT/TENDER	CM		
1	05.08.05	PRELIMINARY	ABM		

CConnell Mott MacDonald
...building the future
Connell Wagner Limited
Lumley House, 3 Hurmer Street (PO Box 1591)
Wellington New Zealand
Telephone: +64 4 472 9589
Facsimile: +64 4 472 9922
Email: cwmot@connwag.com

Client: WELLINGTON EAST GIRLS COLLEGE

Project: EXTENSION TO EAST WING BLOCK 7

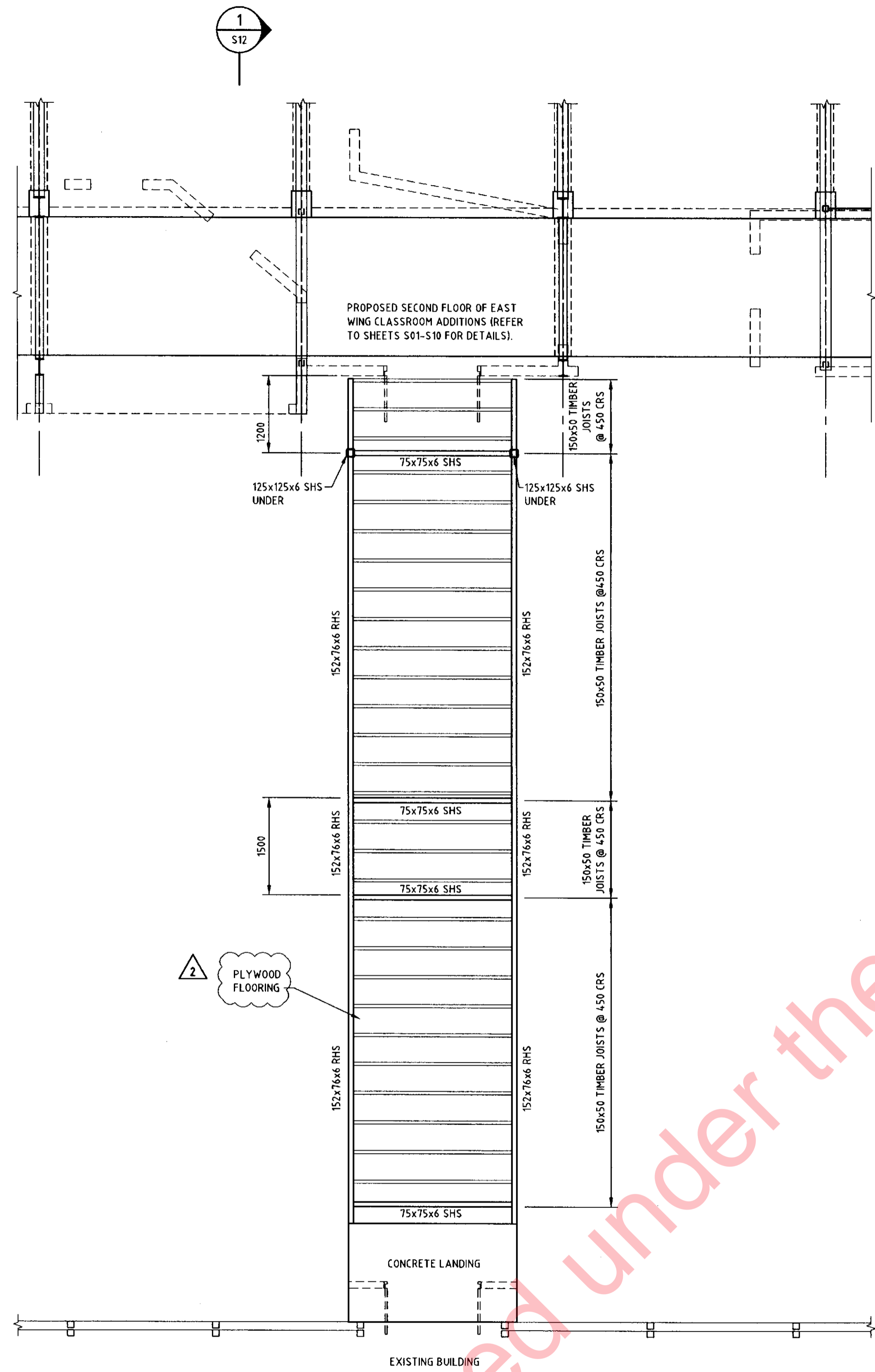
Drawn	Signed	Date
ABM	[Signature]	00-00-00
Designed	Signed	Date
TW	[Signature]	00-00-00
Verified	Signed	Date
CJM		
Approved	Signed	Date
MM		

Drawing Title: FOUNDATION STRENGTHENING DETAILS

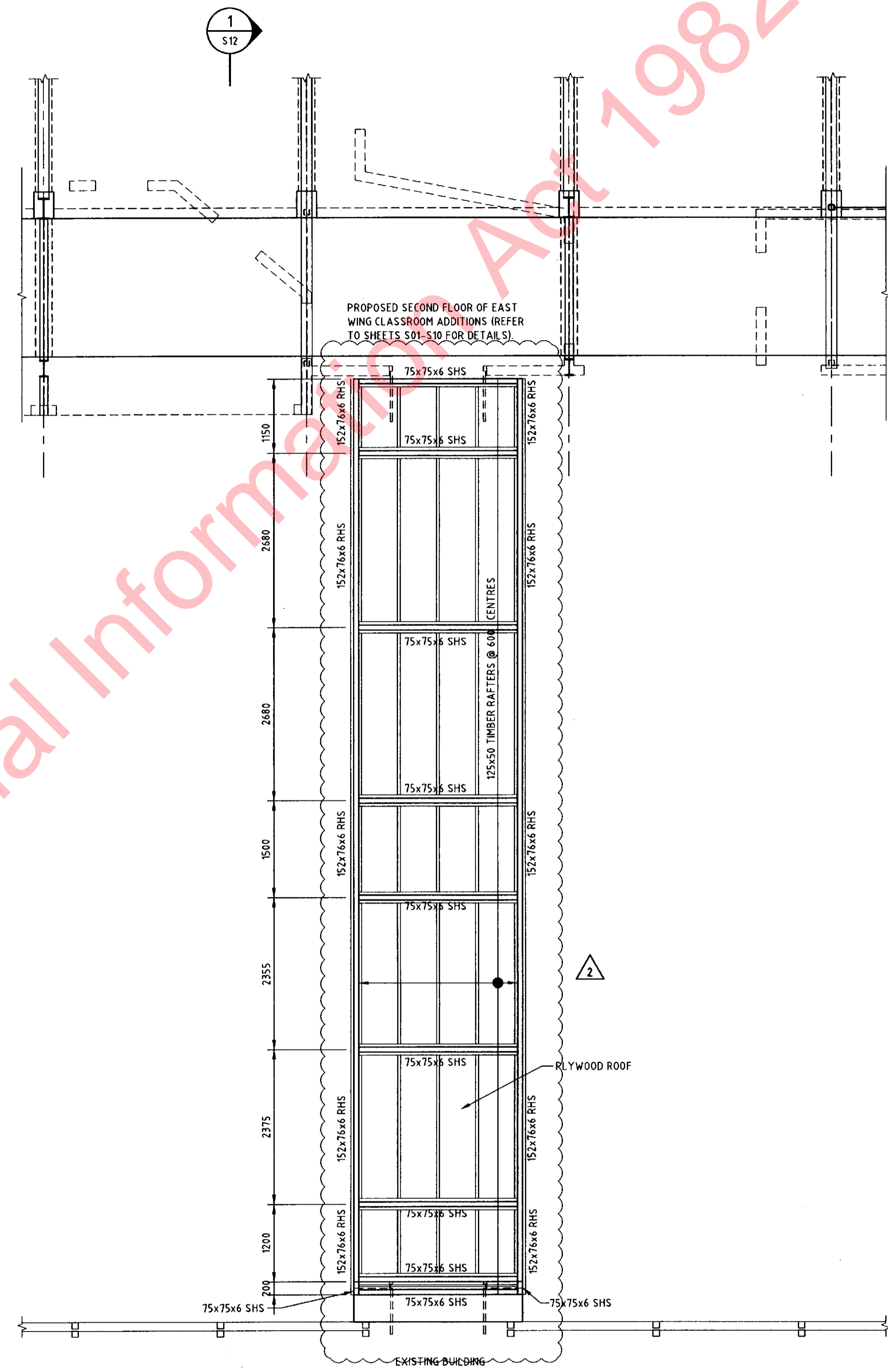
CW Project No.	7970 12
Scale	1:20 (@ A1) 1:40 (@ A3)
Drawing No.	S 10
Rev.	2

A person using Connell Wagner drawings and other data accepts the risk of:
1. using the drawings and other data in electronic form without requesting and checking them for accuracy against the original hard copy versions;
2. using the drawings or other data for any purpose not agreed to in writing by Connell Wagner.

C:\p1\w\1517512\CAD\MODELS\CAD\4-485\A1\1517512\CAD\MODEL\1517512-5-01.dwg



BRIDGE PLAN
FLOOR
SCALE 1:50



BRIDGE PLAN
ROOF
SCALE 1:50

CONSENT/TENDER

Rev.	Date	Revision Details	By	Ver.	App.
2	10.08.05	FOR CONSENT/TENDER	CM	F.W.	
1	05.08.05	PRELIMINARY	CM	F.W.	

Connell Mott MacDonald
...building the future
Connell Wagner Limited
Lumley House, 3 Hunter Street (PO Box 1591)
Wellington New Zealand
Telephone: +64 4 472 9589
Facsimile: +64 4 472 9922
Email: cwel@connwag.com

Client:

WELLINGTON EAST
GIRLS COLLEGE

Project:

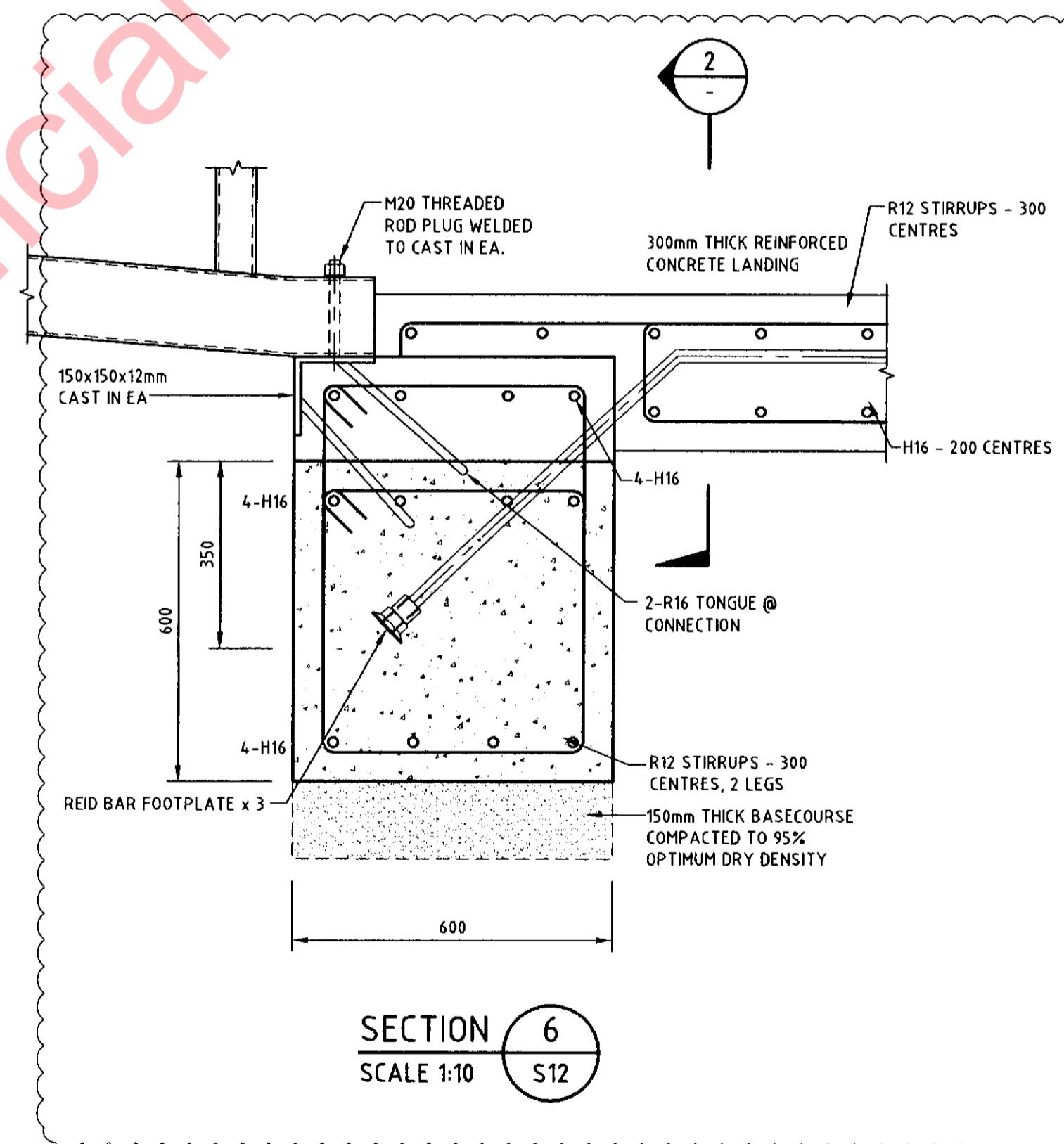
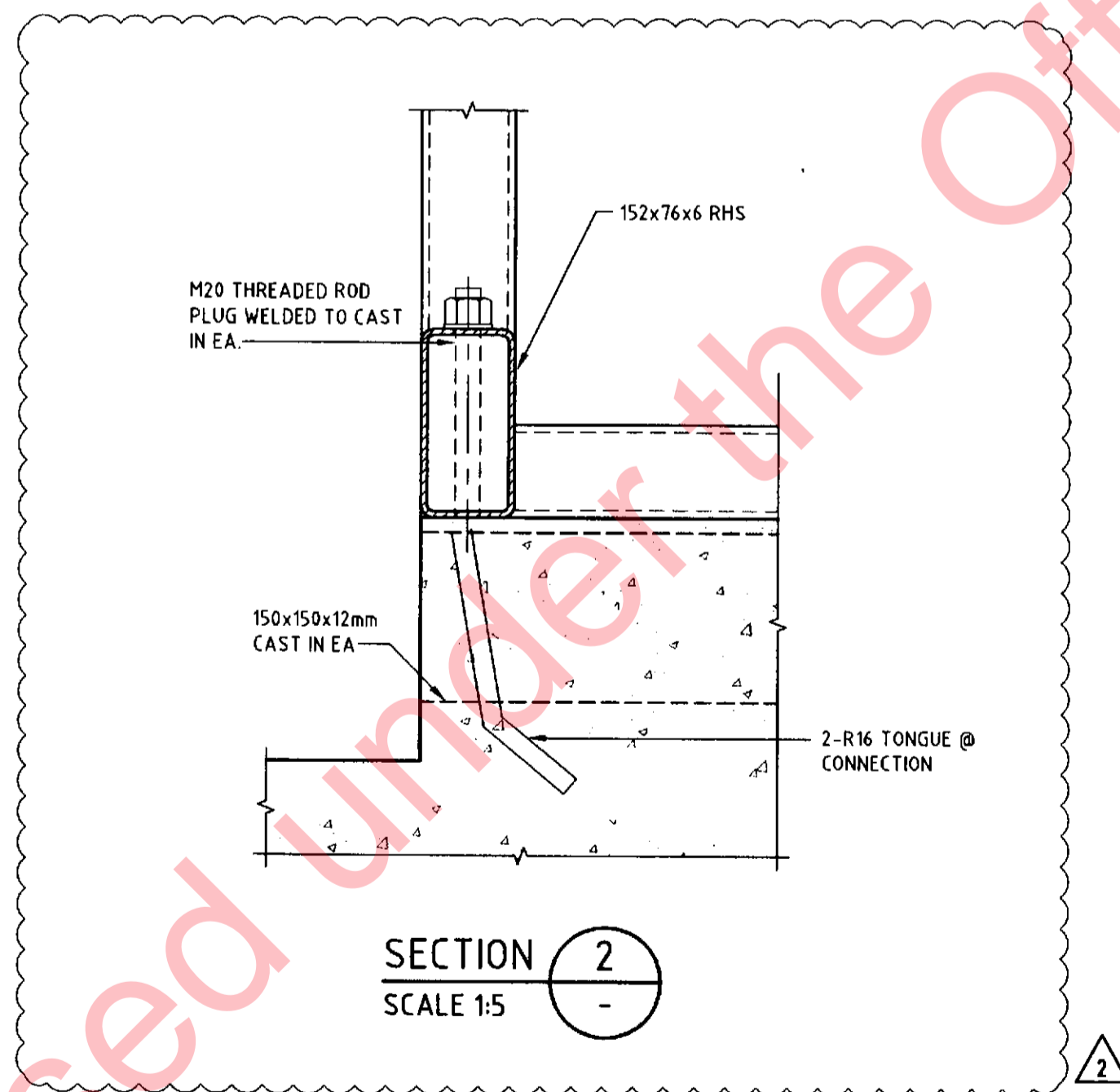
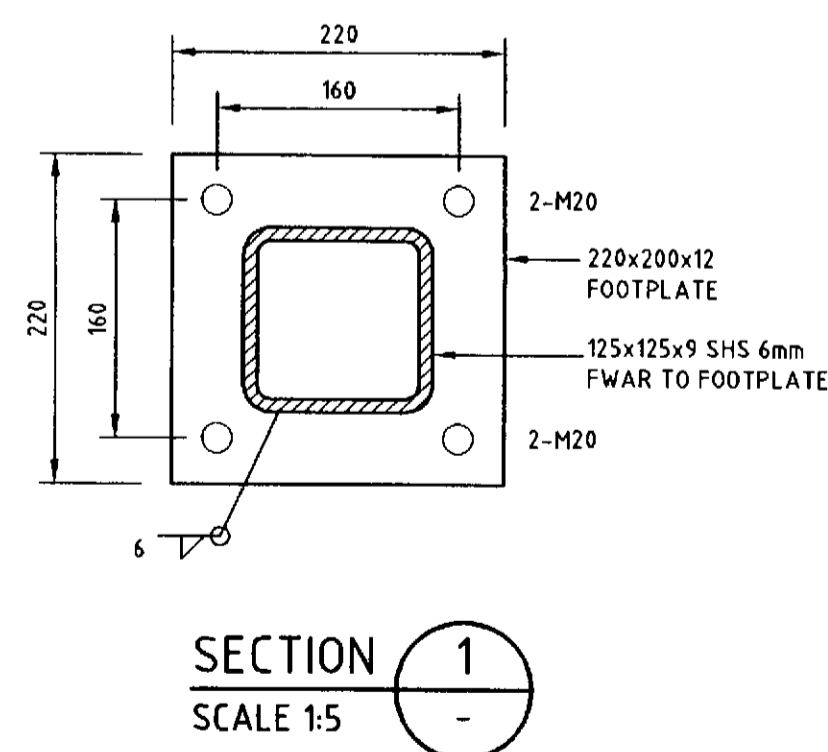
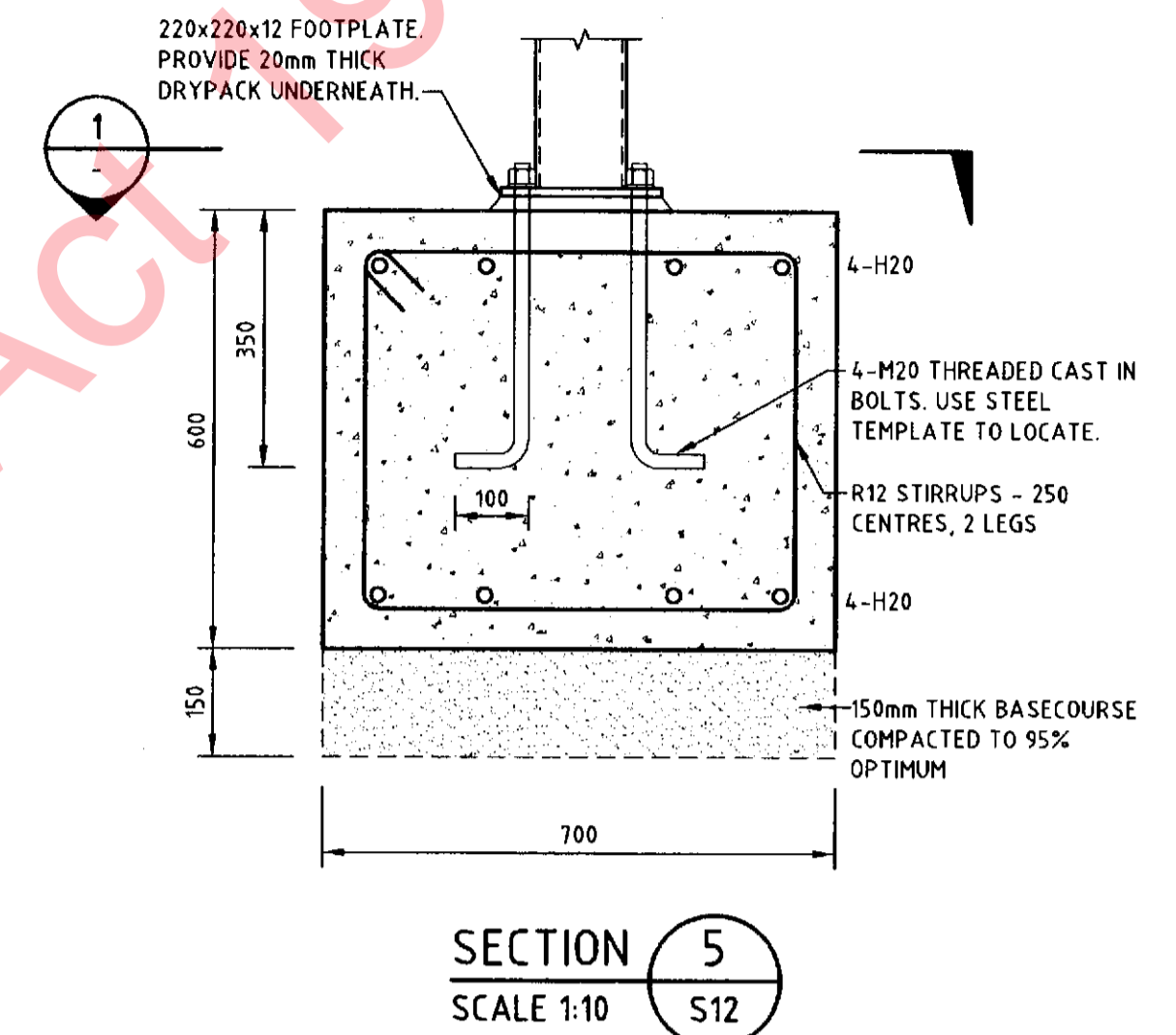
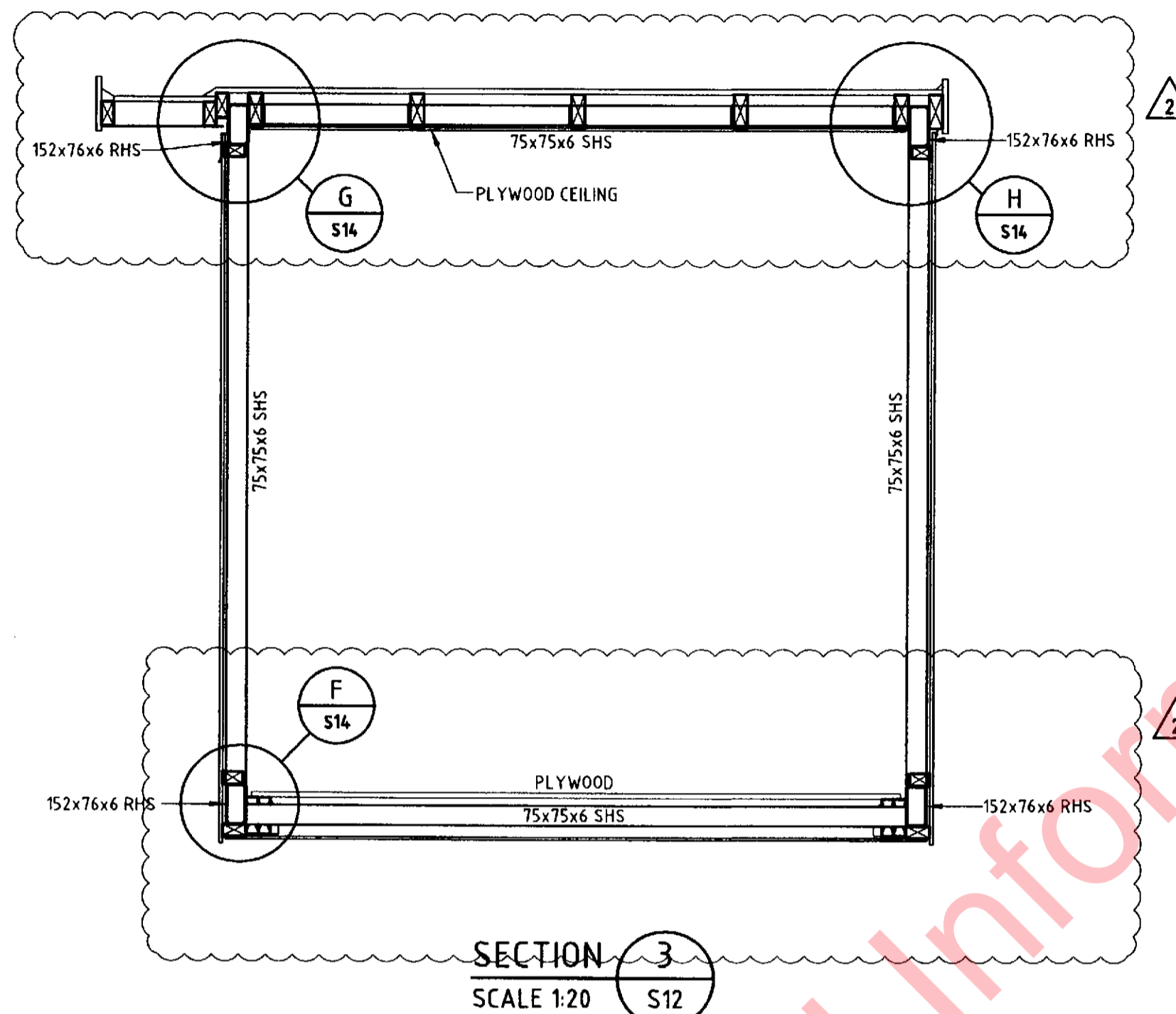
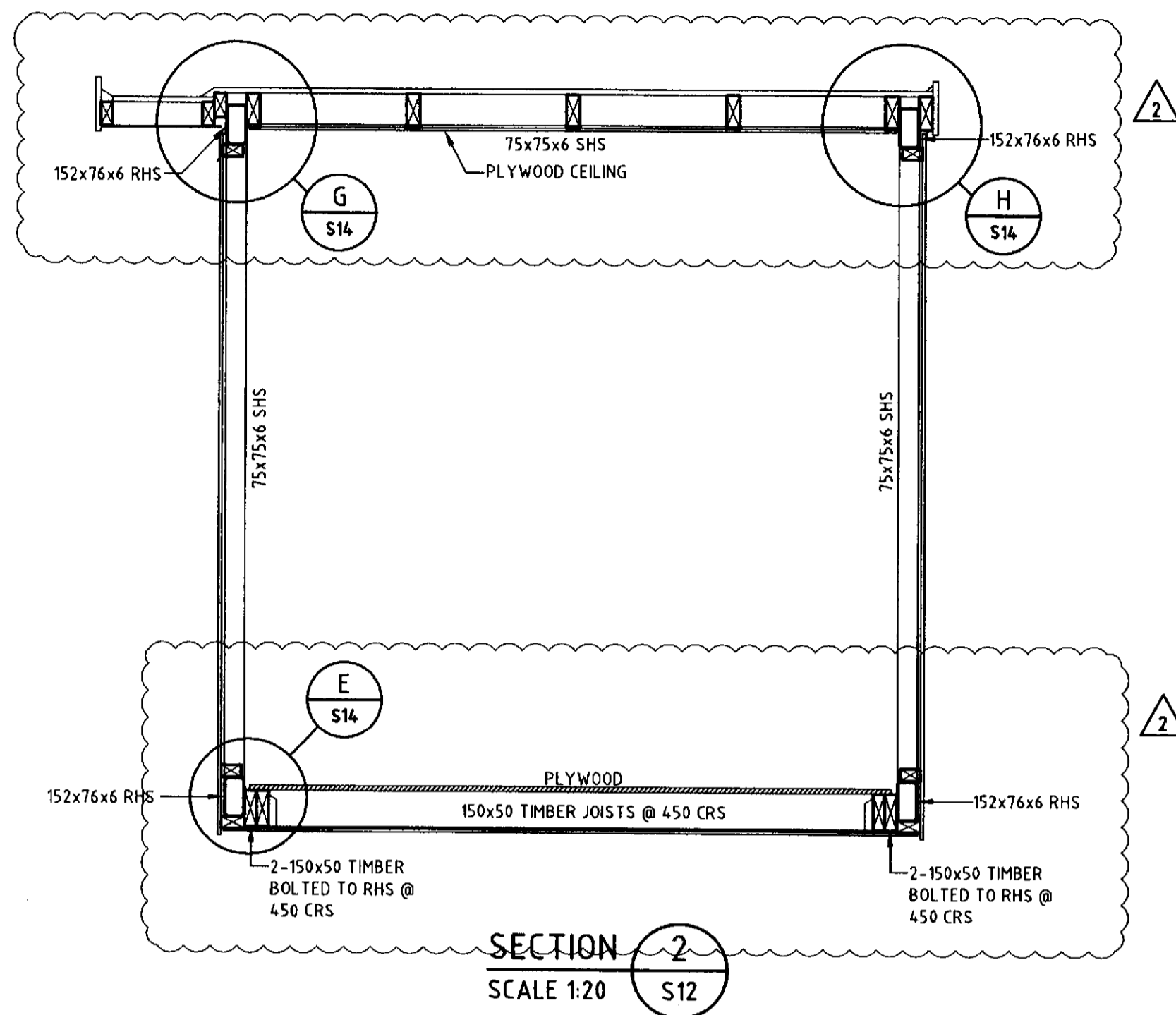
EXTENSION TO
EAST WING BLOCK 7

Drawn	Signed	Date	Drawing Title
CM	[Signature]	16-08-05	BRIDGE PLANS
Designed	TW	Date	
Verified	CJM	Date	
Approved	MM	Date	

Drawing Title:
BRIDGE PLANS

CW Project No.	7970 12
Scale	1:50 (@ A1) 1:100 (@ A3)
Drawing No.	S 11
Rev.	2

A person using Connell Wagner drawings and other data accepts the risk of:
1. using the drawings and other data in electronic form without requesting and checking them for accuracy against the original hard copy versions;
2. using the drawings or other data for any purpose not agreed to in writing by Connell Wagner.



W.G.C. RECORDS

CONSENT/TENDER

Rev.	Date	Revision Details	By	Ver.	App.
2	10.08.05	FOR CONSENT/TENDER	CM		
1	05.08.05	PRELIMINARY	CM		

Connell Mott MacDonald
...building the future
Connell Wagner Limited
Lunley House, 3 Hunter Street (PO Box 1591)
Wellington New Zealand
Telephone: +64 4 472 9589
Facsimile: +64 4 472 9922
Email: cmm@connellmottmacdonald.com

Client:
WELLINGTON EAST GIRLS COLLEGE

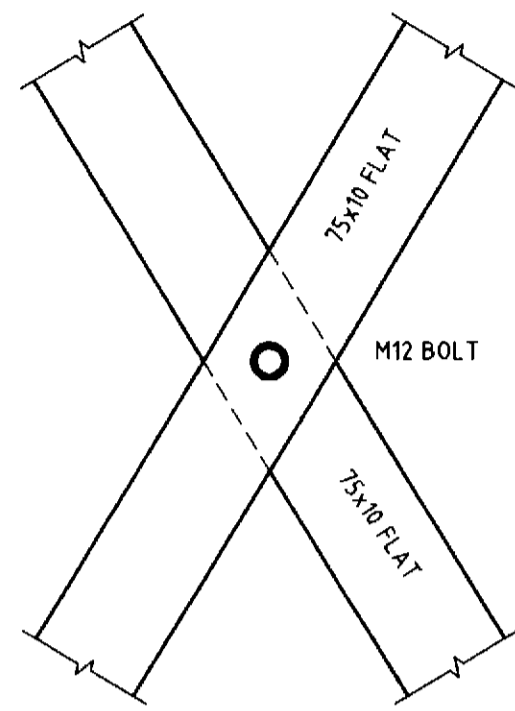
Project:
EXTENSION TO EAST WING BLOCK 7

Drawn	Signed	Date
CM	[Signature]	16-08-05
Designed	Signed	Date
TW	[Signature]	16-08-05
Verified	Signed	Date
CJM		
Approved	Signed	Date
MM		

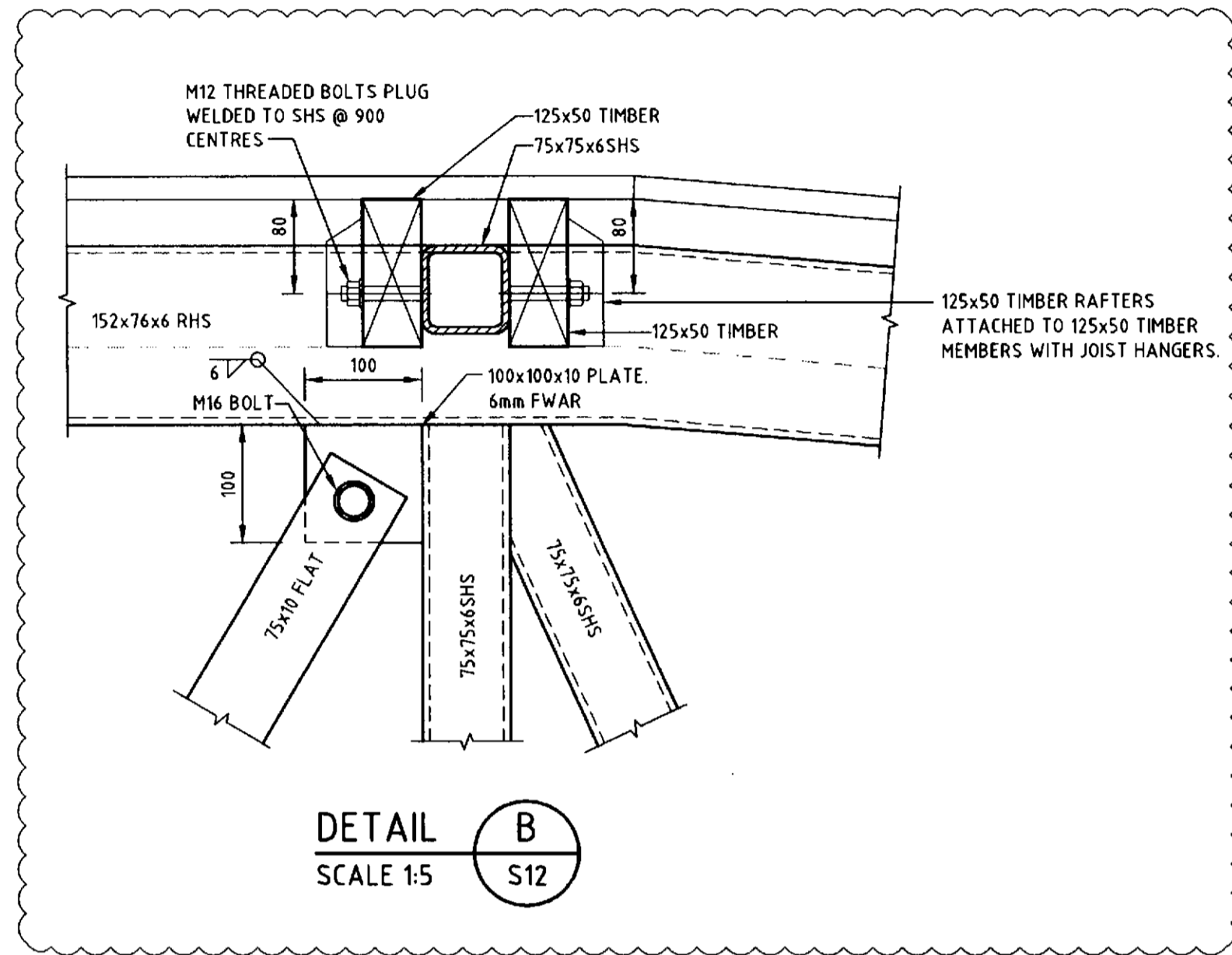
Drawing Title:
BRIDGE SECTIONS & DETAILS SHEET 1

CW Project No.	7970 12
Scale	1:50 (@ A1) 1:100 (@ A3)
Drawing No.	S 13
Rev.	2

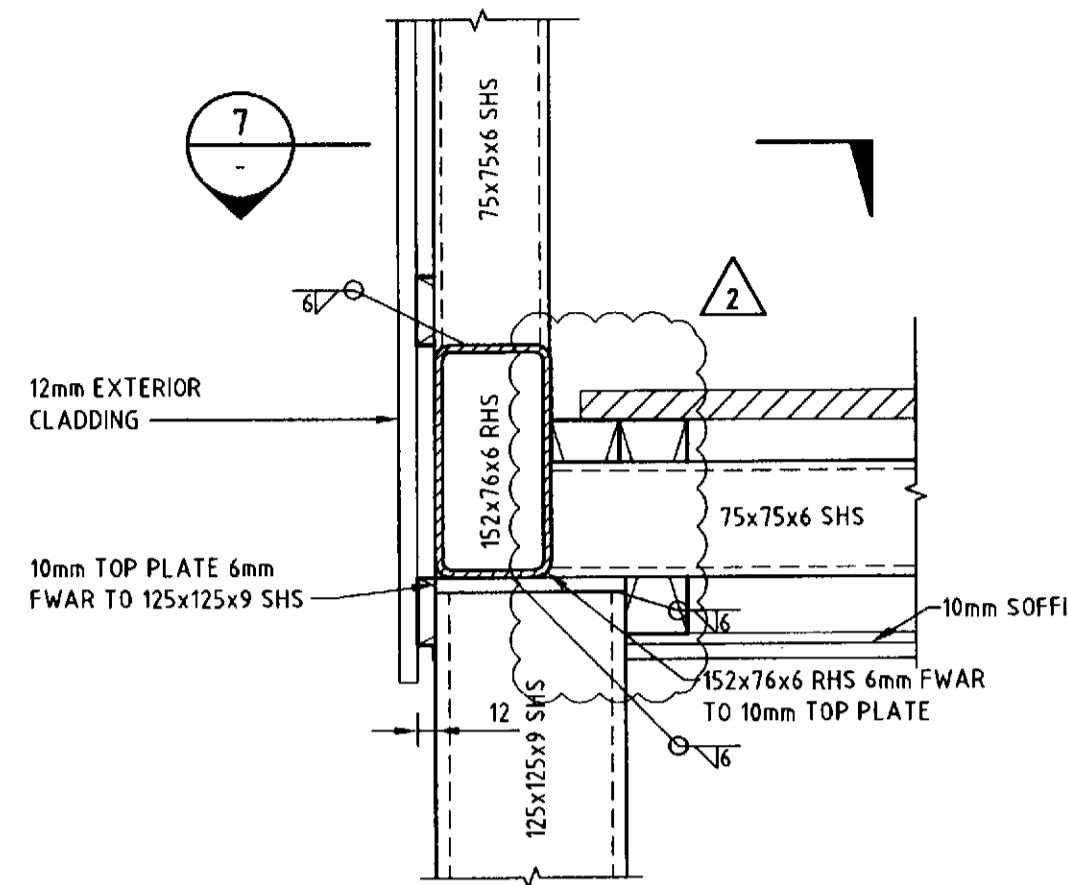
Released under the Official Information Act 1982



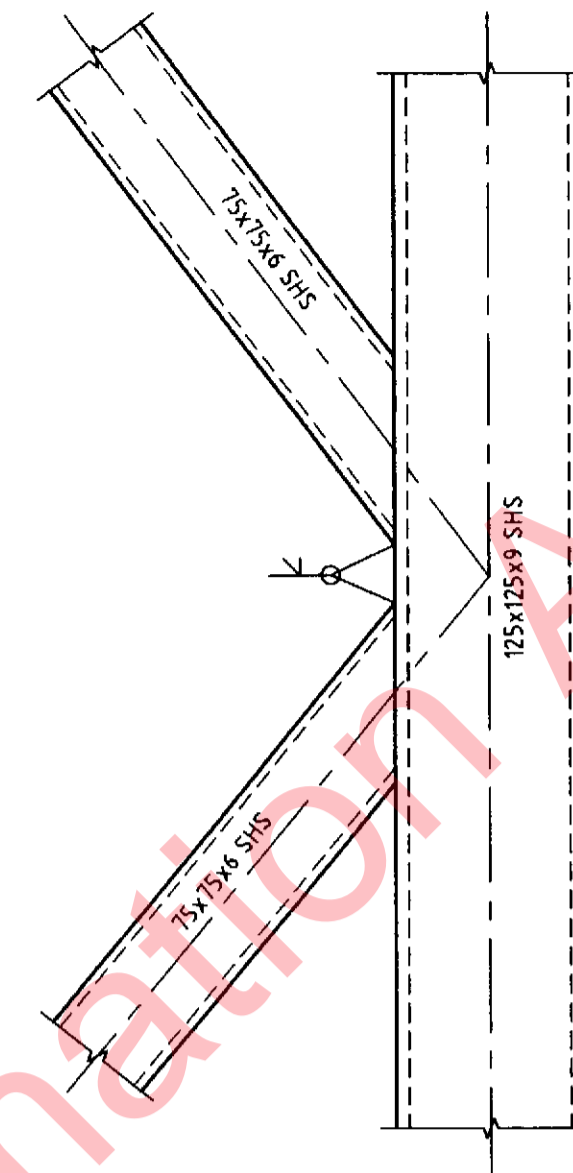
DETAIL A
SCALE 1:5
S12



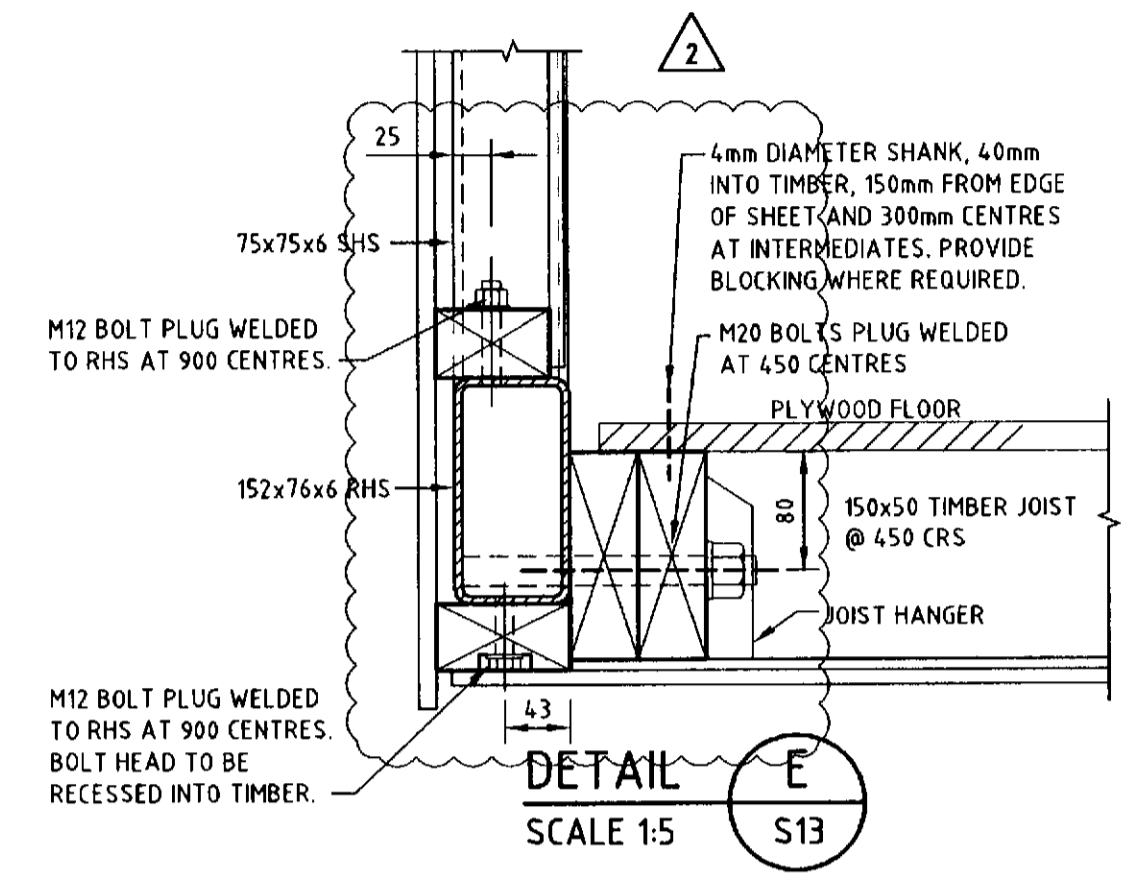
DETAIL B
SCALE 1:5
S12



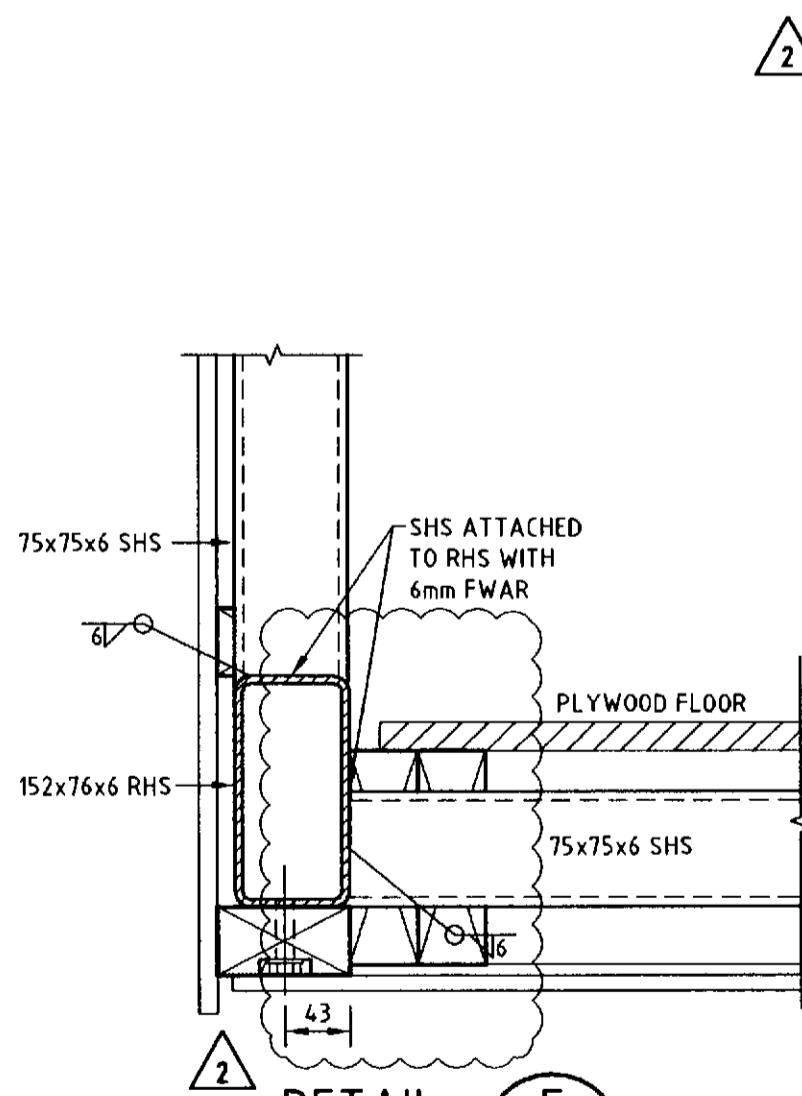
DETAIL C
SCALE 1:5
S12



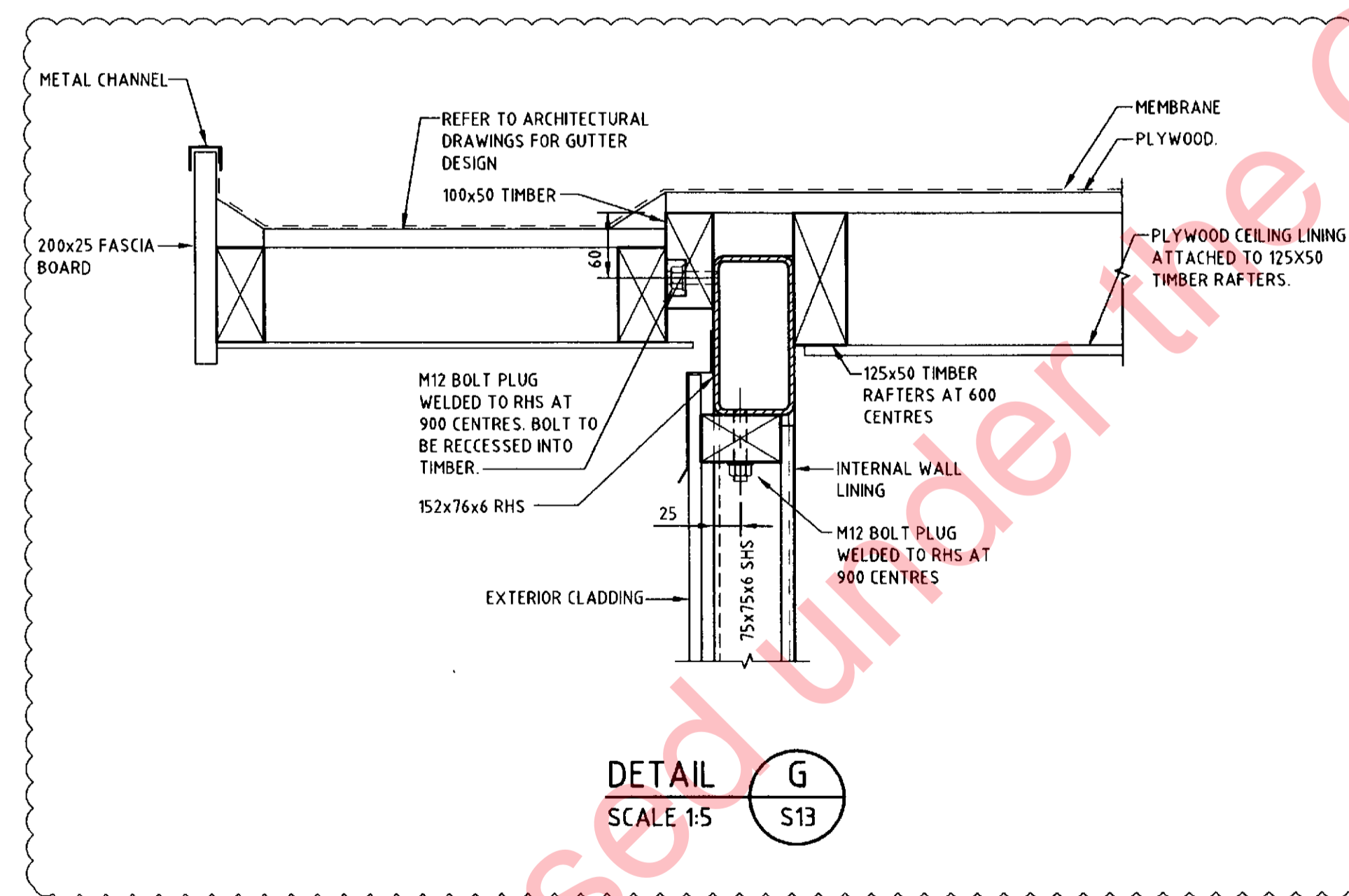
DETAIL D
SCALE 1:5
S12



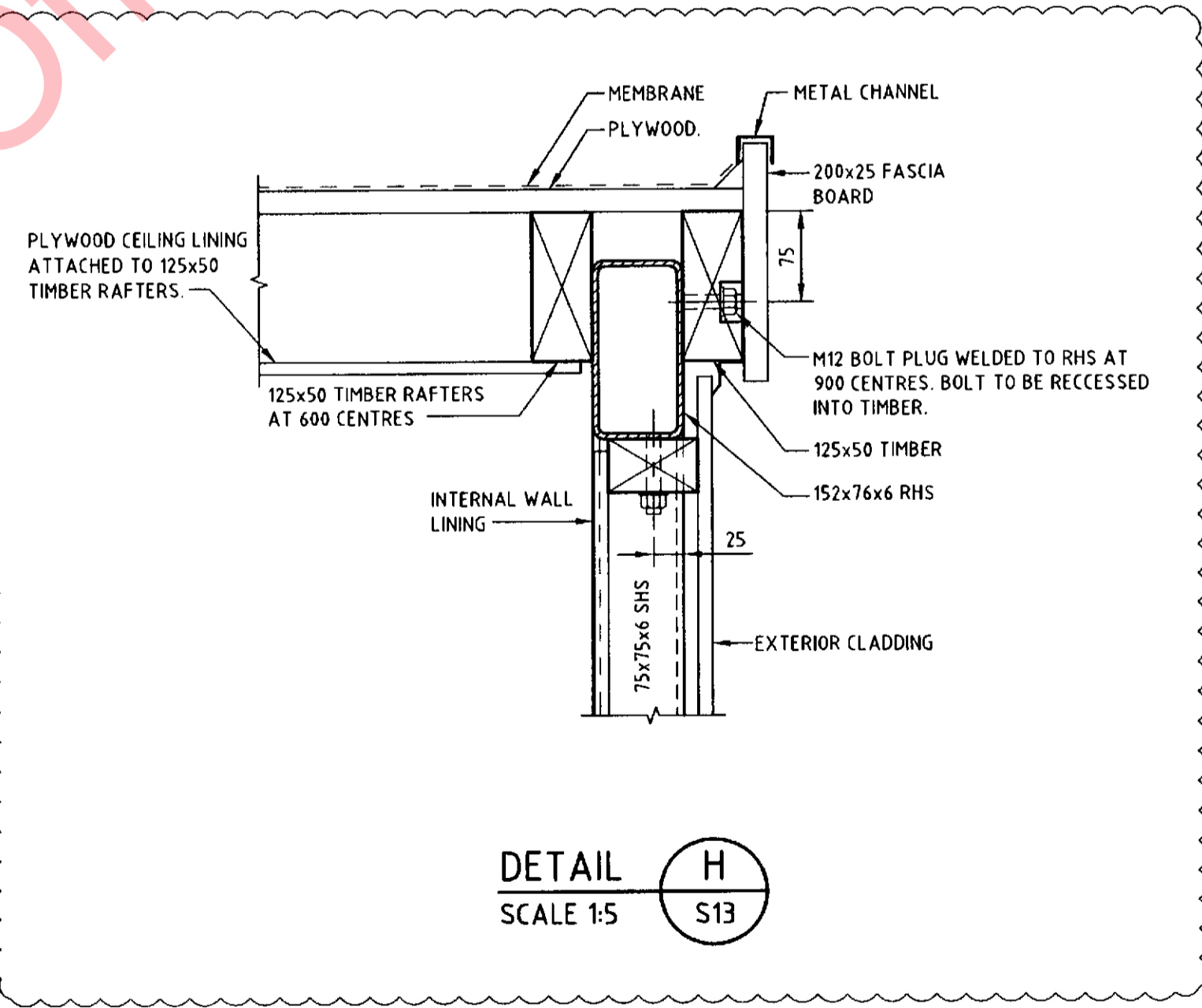
DETAIL E
SCALE 1:5
S13



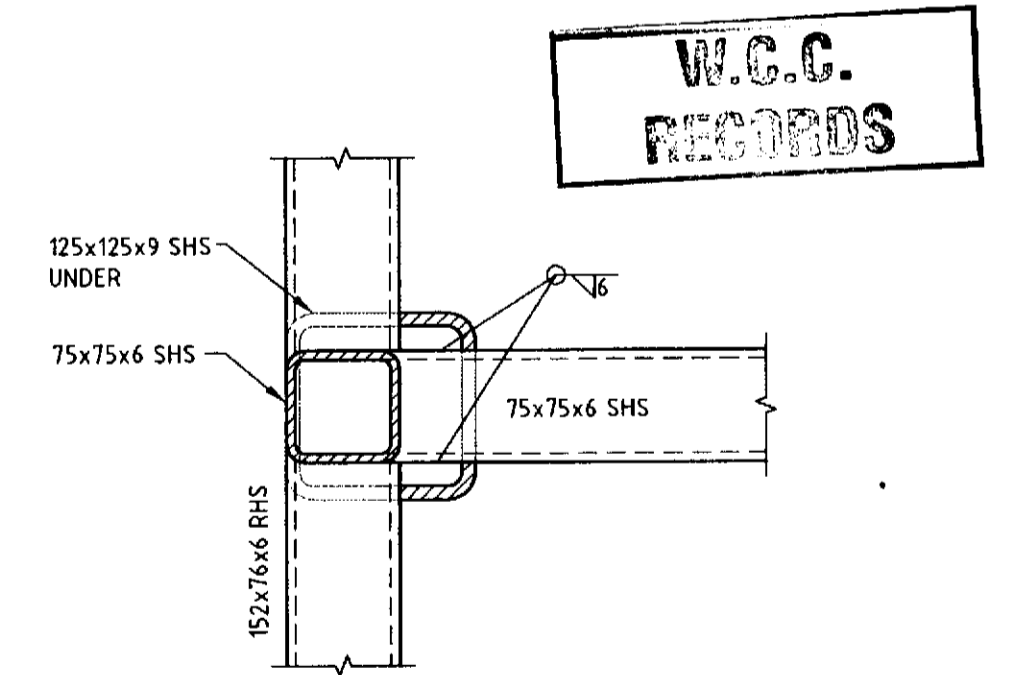
DETAIL F
SCALE 1:5
S13



DETAIL G
SCALE 1:5
S13



DETAIL H
SCALE 1:5
S13



SECTION 7
SCALE 1:5

2 10 20 25

CONSENT/TENDER

Rev.	Date	Revision Details	By	Ver.	App.
2	10.08.05	FOR CONSENT/TENDER	CM		
1	05.08.05	PRELIMINARY	CM		

Connell Mott MacDonald
...building the future

Connell Wagner Limited
Lumley House, 3 Hunter Street (PO Box 1591)
Wellington New Zealand
Telephone: +64 4 472 9588
Facsimile: +64 4 472 9922
Email: cwm@connellmottmacdonald.com

A person using Connell Mott MacDonald drawings and other data accepts the risk of:
1. using the drawings and other data in electronic form without requesting and checking them for accuracy against the original hard copy versions;
2. using the drawings or other data for any purpose not agreed to in writing by Connell Mott MacDonald.

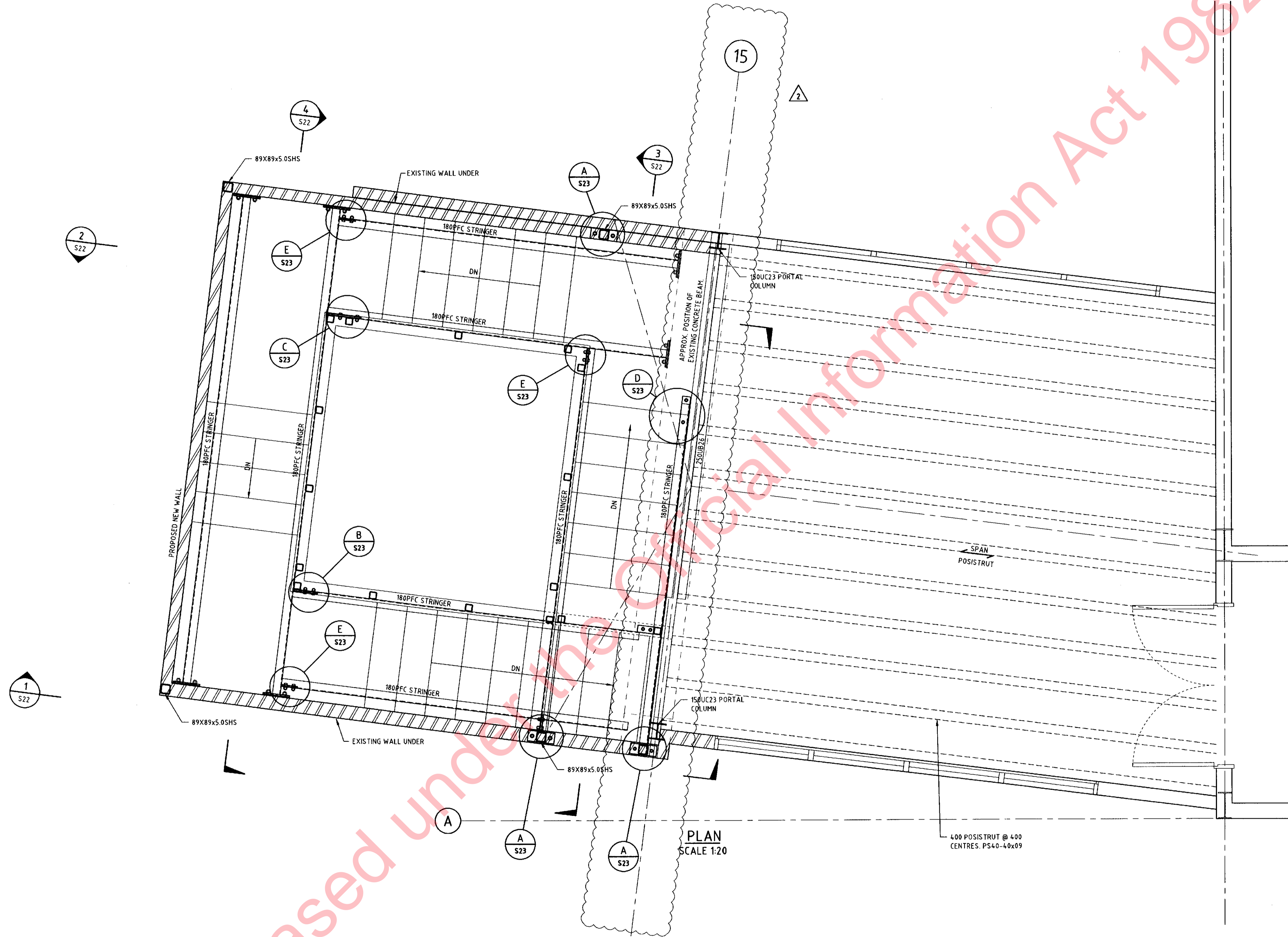
Client: **WELLINGTON EAST GIRLS COLLEGE**

Project: **EXTENSION TO EAST WING BLOCK 7**

Drawn	Signed	Date
CM	[Signature]	16-08-05
Designed	Signed	Date
TW	[Signature]	16-08-05
Verified	Signed	Date
CJM		
Approved	Signed	Date
MM		

Drawing Title: **BRIDGE SECTIONS & DETAILS SHEET 2**

CW Project No.	
9790 12	
Scale	
1:50 (@ A1) 1:100 (@ A3)	
Drawing No.	Rev.
S 14	2



PLAN
SCALE 1:20

400 POSISTRUT @ 400 CENTRES. PS40-40x09

W.C.C. RECORDS

25/03/2005

CONSENT/TENDER

Rev.	Date	Revision Details	By	Ver.	App.
2	10.08.05	FOR CONSENT/TENDER	CM		
1	05.08.05	PRELIMINARY	CM		

Connell Mott MacDonald
...building the future
Connell Wagner Limited Telephone: +64 4 472 9589
Lumley House, 3 Hunter Street (PO Box 1591) Facsimile: +64 4 472 9922
Wellington New Zealand Email: cwwel@conwag.com

A person using Connell Wagner drawings and other data accepts the risk of:
1. using the drawings and other data in electronic form without requesting and checking them for accuracy against the original hard copy versions;
2. using the drawings or other data for any purpose not agreed to in writing by Connell Wagner.

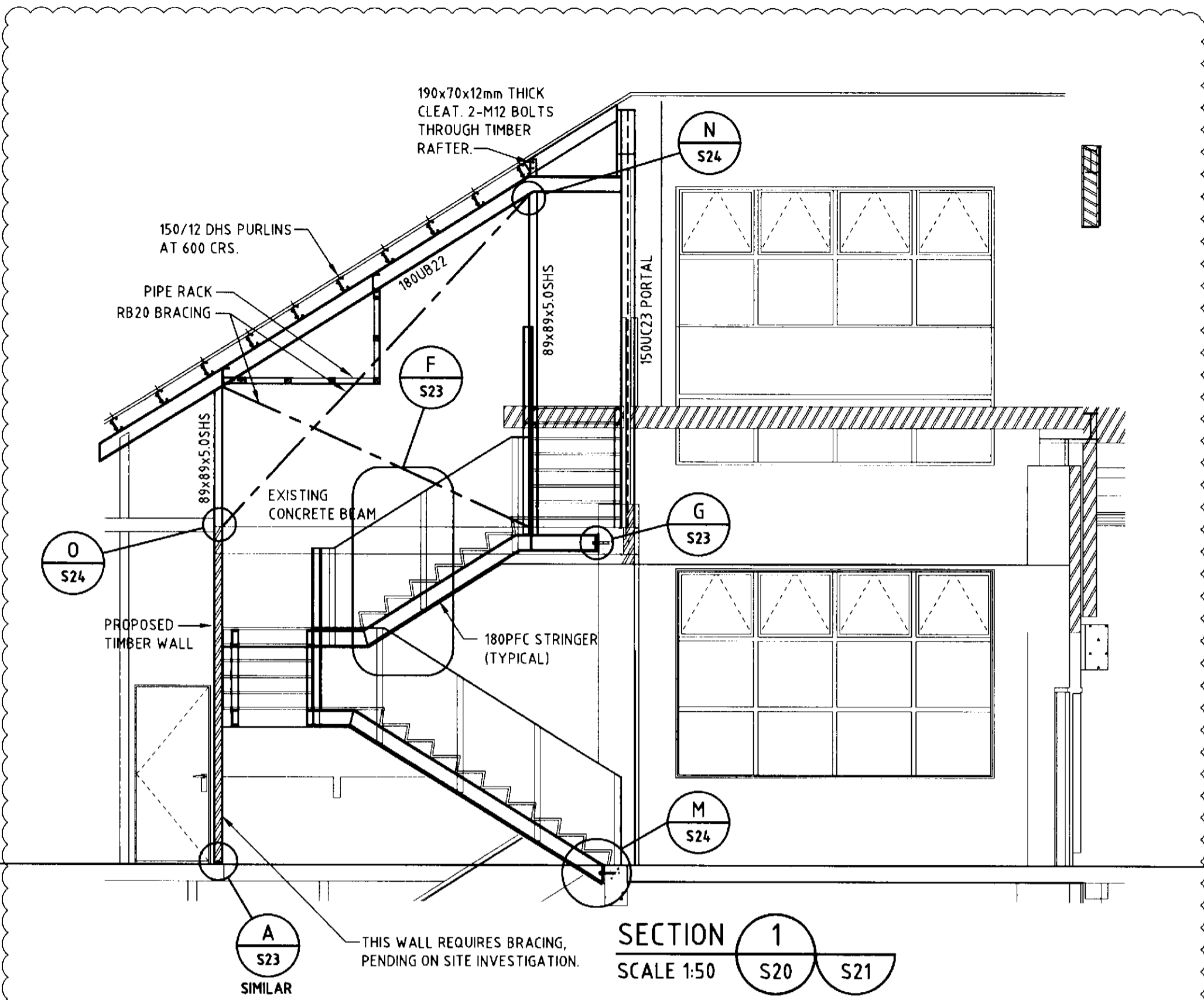
Client: **WELLINGTON EAST GIRLS COLLEGE**

Project: **EXTENSION TO EAST WING BLOCK 7**

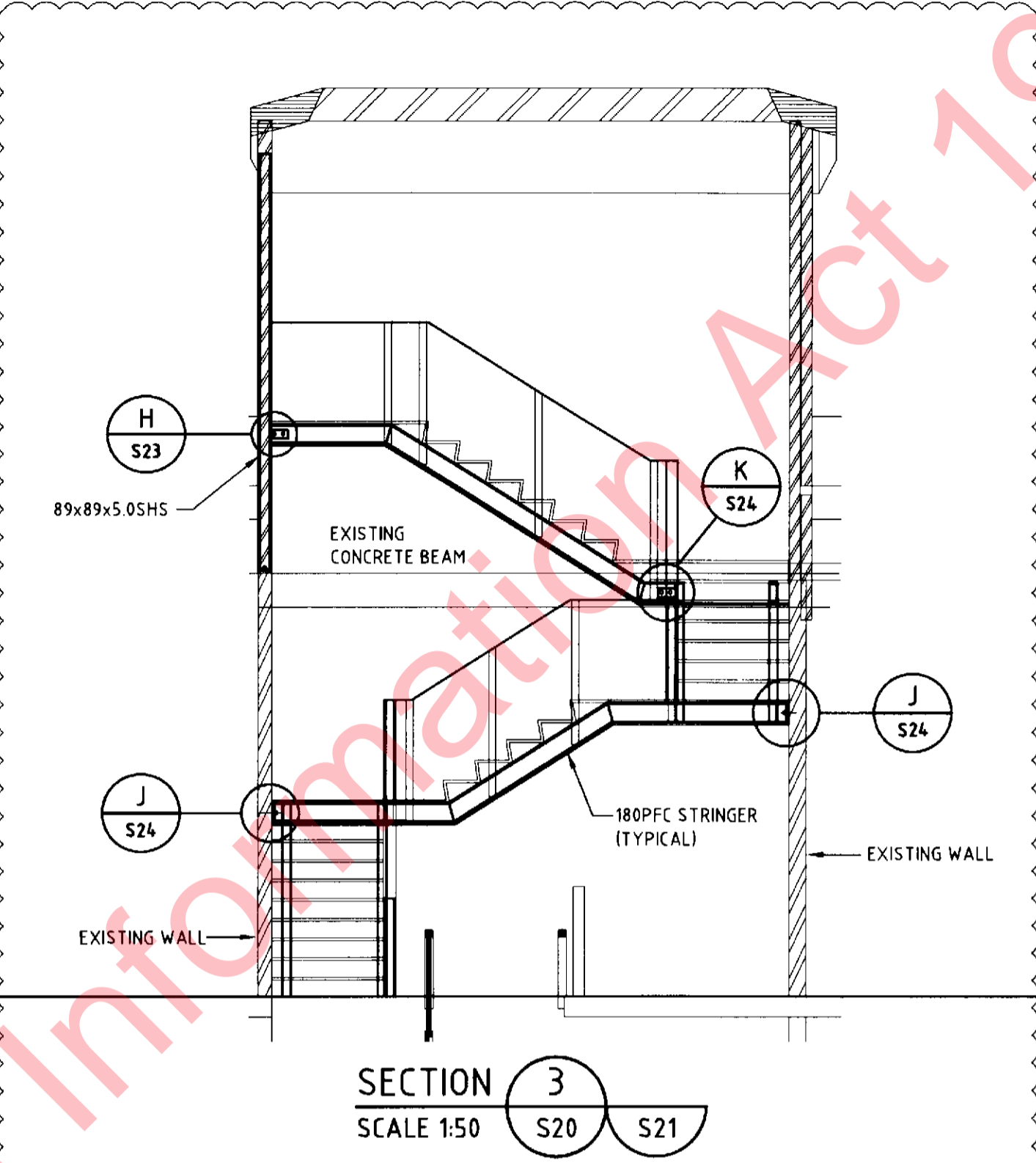
Drawn	Signed	Date
CM	<i>[Signature]</i>	16-08-05
Designed	Signed	Date
TW	<i>[Signature]</i>	16-08-05
Verified	Signed	Date
CJM		
Approved	Signed	Date
MM		

Drawing Title: **STAIR PLAN SHEET ONE**

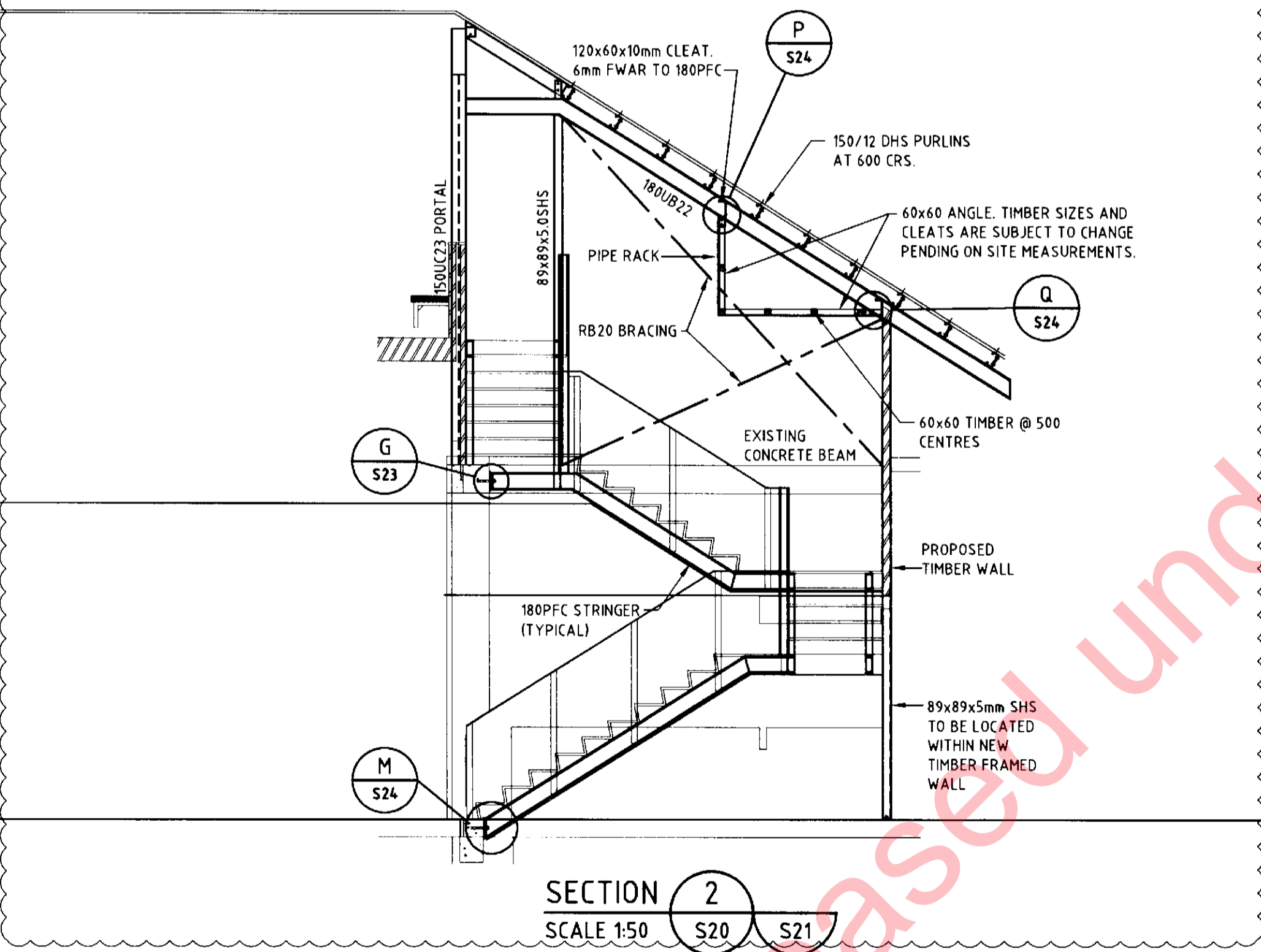
CW Project No.	7970 12
Scale	1:10 (@ A1) 1:20 (@ A3)
Drawing No.	S 20
Rev.	2



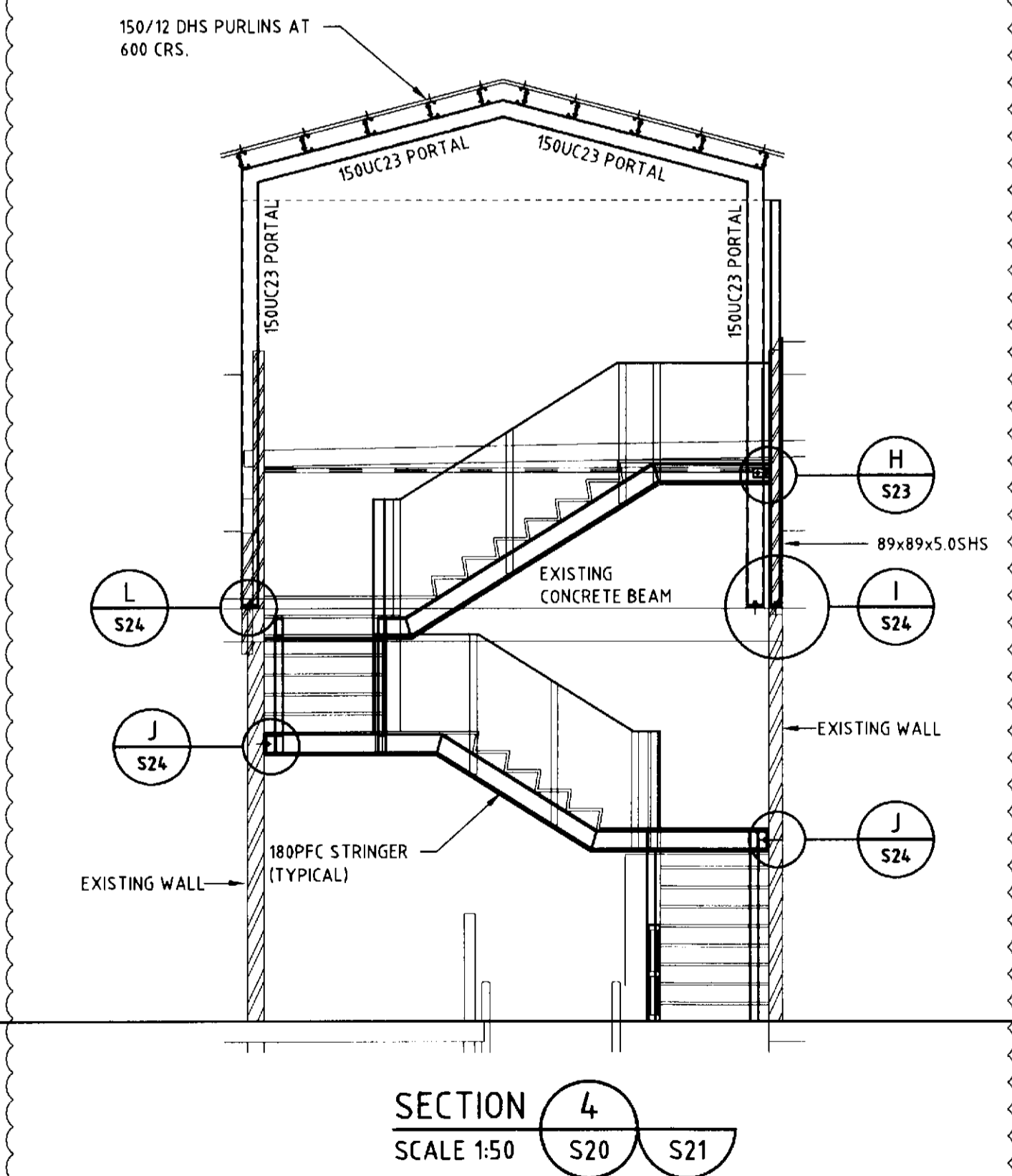
SECTION 1 SCALE 1:50 S20 S21



SECTION 3 SCALE 1:50 S20 S21



SECTION 2 SCALE 1:50 S20 S21



SECTION 4 SCALE 1:50 S20 S21

NOTES:

- 1) POSITION OF EXISTING WALLS AND CONCRETE BEAMS ARE APPROXIMATE ONLY, AND HAVE BEEN TAKEN FROM ARCHITECTURAL AND OLD DRAWINGS. CONTRACTOR TO ACCURATELY MEASURE ON SITE PRIOR TO WORK COMMENCING.
- 2) REFER TO SHEET S26 FOR STAIRWAY DIMENSIONS AND DETAILS.

W.C.G. RECORDS

23/08/05

CONSENT/TENDER

Rev.	Date	Revision Details	By	Ver.	App.
2	10.08.05	FOR CONSENT/TENDER	CM	6.0	
1	05.08.05	PRELIMINARY	CM	6.0	

Connell Mott MacDonald
...building the future

Connell Wagner Limited
Lumley House, 3 Hunter Street (PO Box 1591)
Wellington New Zealand

Telephone: +64 4 472 9588
Facsimile: +64 4 472 9922
Email: cwwell@connellmottmacdonald.com

A person using Connell Wagner drawings and other data accepts the risk of:
1. using the drawings and other data in electronic form without requesting and checking them for accuracy against the original hard copy versions;
2. using the drawings or other data for any purpose not agreed to in writing by Connell Wagner.

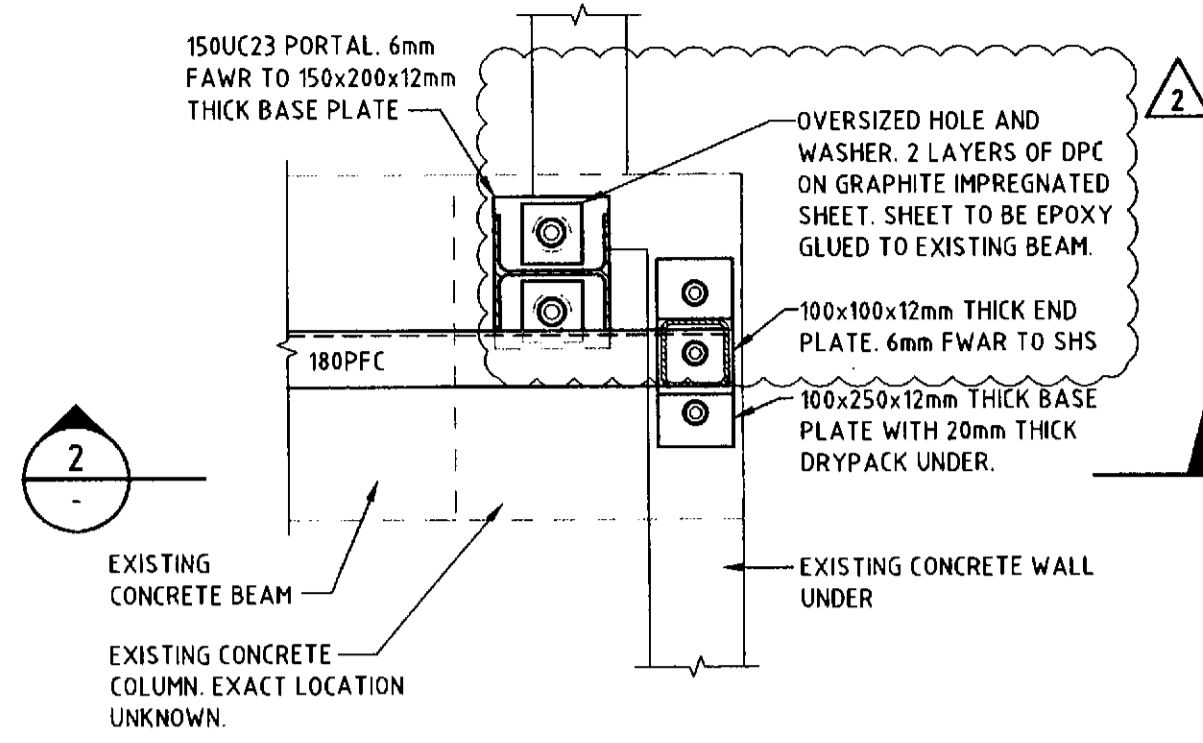
Client: WELLINGTON EAST GIRLS COLLEGE

Project: EXTENSION TO EAST WING BLOCK 7

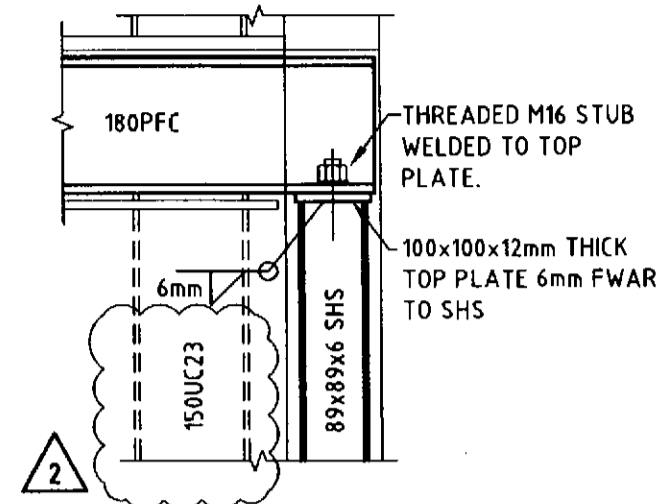
Drawn	Signed	Date
CM	[Signature]	16-08-05
Designed	Signed	Date
TW	[Signature]	16-08-05
Verified	Signed	Date
CJM		
Approved	Signed	Date
MM		

Drawing Title: STAIR CROSS SECTIONS SHEET THREE

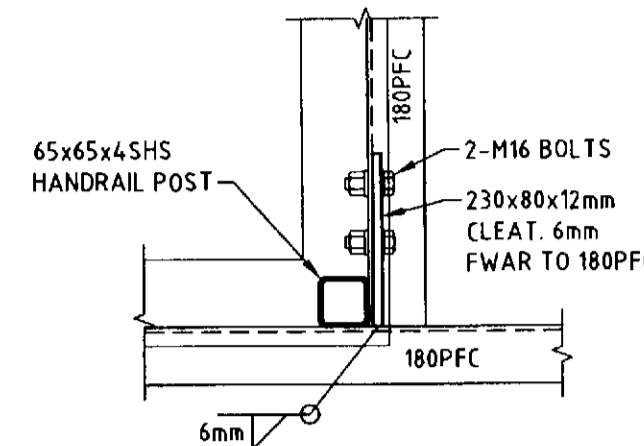
CW Project No. 7970 12	
Scale	1:50 (@ A1) 1:100 (@ A3)
Drawing No.	S 22
Rev.	2



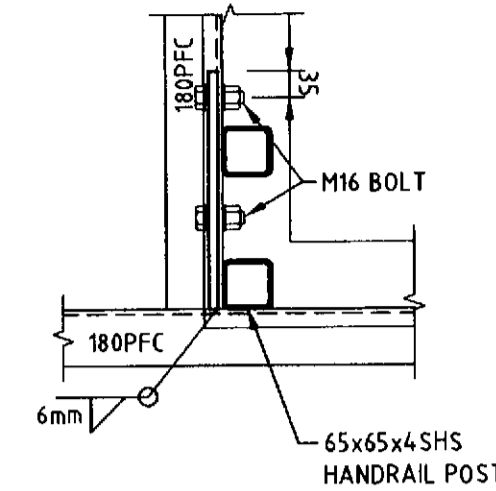
DETAIL A
SCALE 1:10
S20



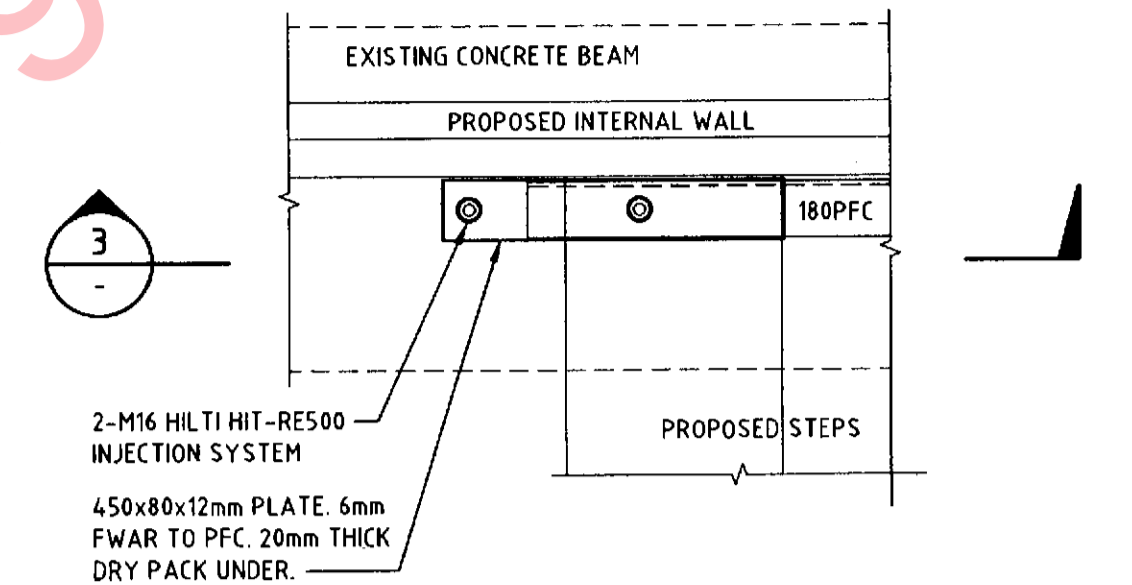
SECTION 2
SCALE 1:10



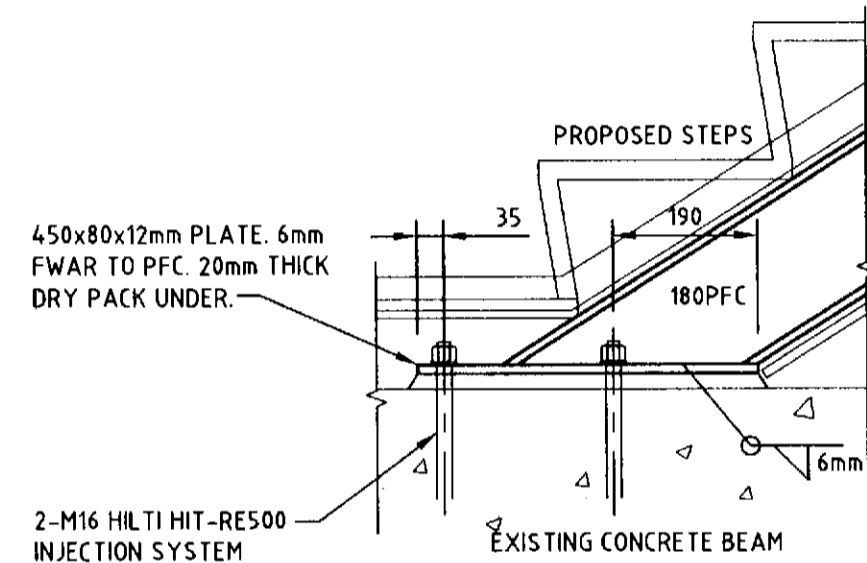
DETAIL B
SCALE 1:10
S20



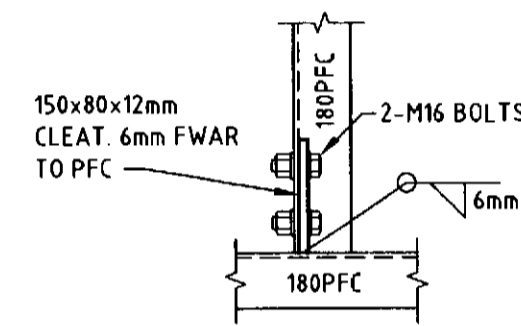
DETAIL C
SCALE 1:10
S20



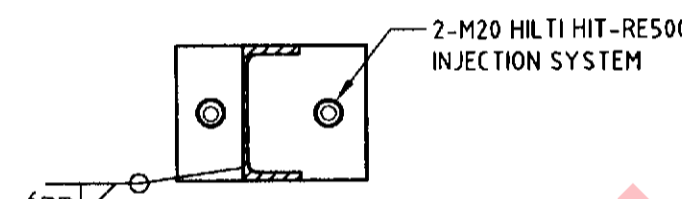
DETAIL D
SCALE 1:10
S20



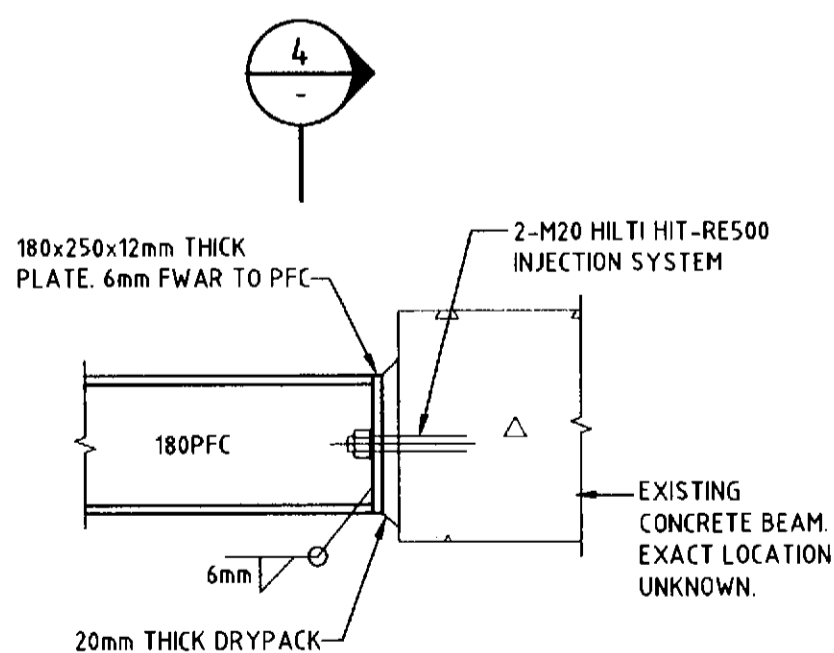
SECTION 3
SCALE 1:10



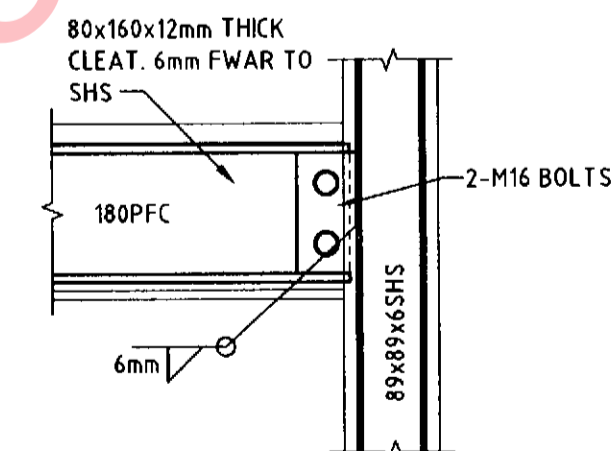
DETAIL E
SCALE 1:10
S20



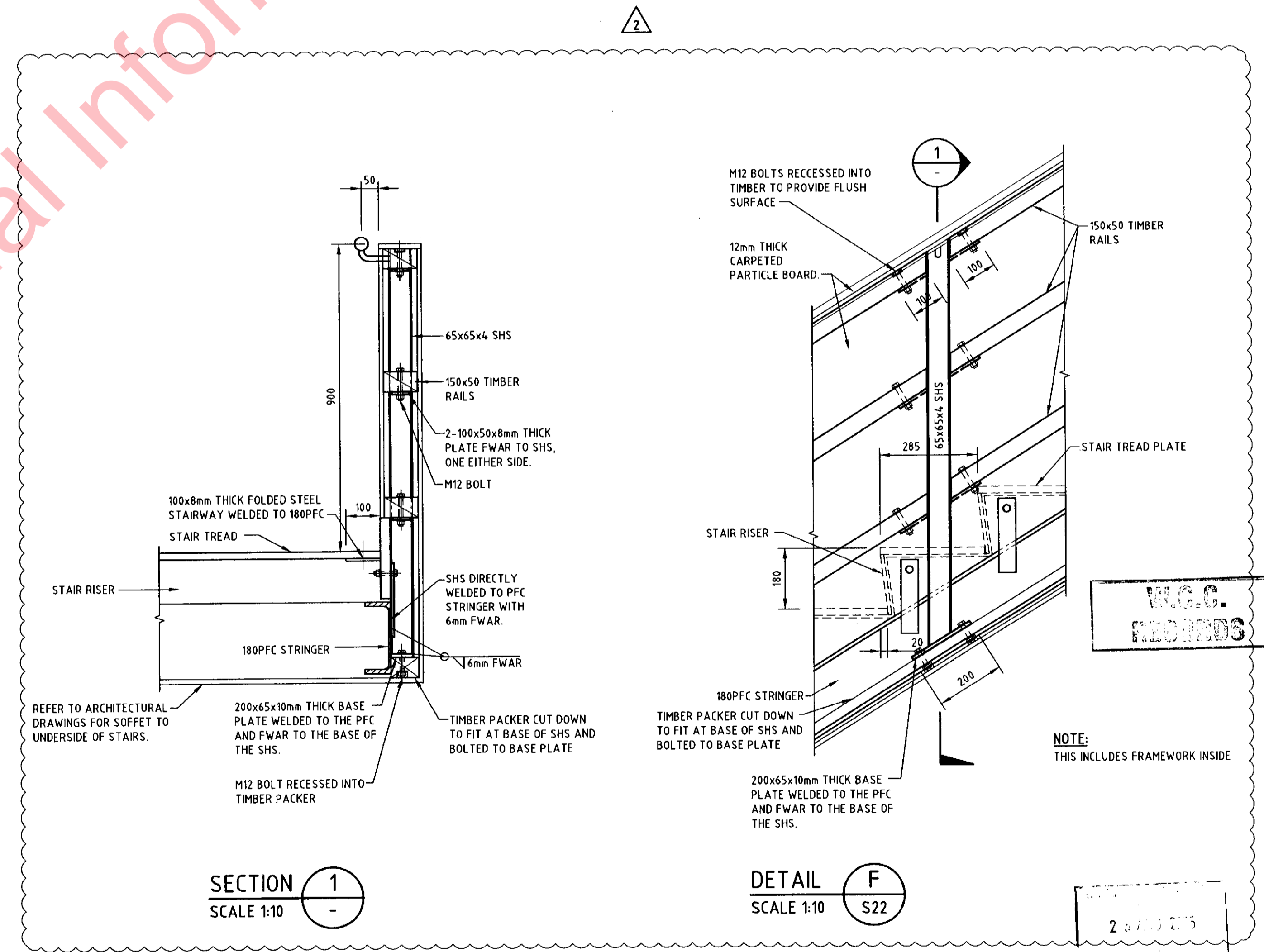
SECTION 4
SCALE 1:10
S24



DETAIL G
SCALE 1:10
S22



DETAIL H
SCALE 1:10
S22



SECTION 1
SCALE 1:10

DETAIL F
SCALE 1:10
S22

Rev.	Date	Revision Details	By	Ver.	App.
2	10.08.05	FOR CONSENT/TENDER	CM	F.W.	
1	05.08.05	PRELIMINARY	CM	F.W.	

Connell Mott MacDonald
...building the future

Connell Wagner Limited
Lumley House, 3 Hunter Street (PO Box 1591)
Wellington New Zealand
Telephone: +64 4 472 9589
Facsimile: +64 4 472 9922
Email: cwm@connwag.com

A person using Connell Mott MacDonald drawings and other data accepts the risk of:
1. using the drawings and other data in electronic form without requesting and checking them for accuracy against the original hard copy versions.
2. using the drawings or other data for any purpose not agreed to in writing by Connell Mott MacDonald.

Client:

WELLINGTON EAST
GIRLS COLLEGE

Project:

EXTENSION TO
EAST WING BLOCK 7

Drawn	Signed	Date
CM	[Signature]	16-08-05
Designed	Signed	Date
TW	[Signature]	16-08-05
Verified	Signed	Date
CJM		
Approved	Signed	Date
MM		

Drawing Title:

SECTIONS & DETAILS

CW Project No.

7970 12

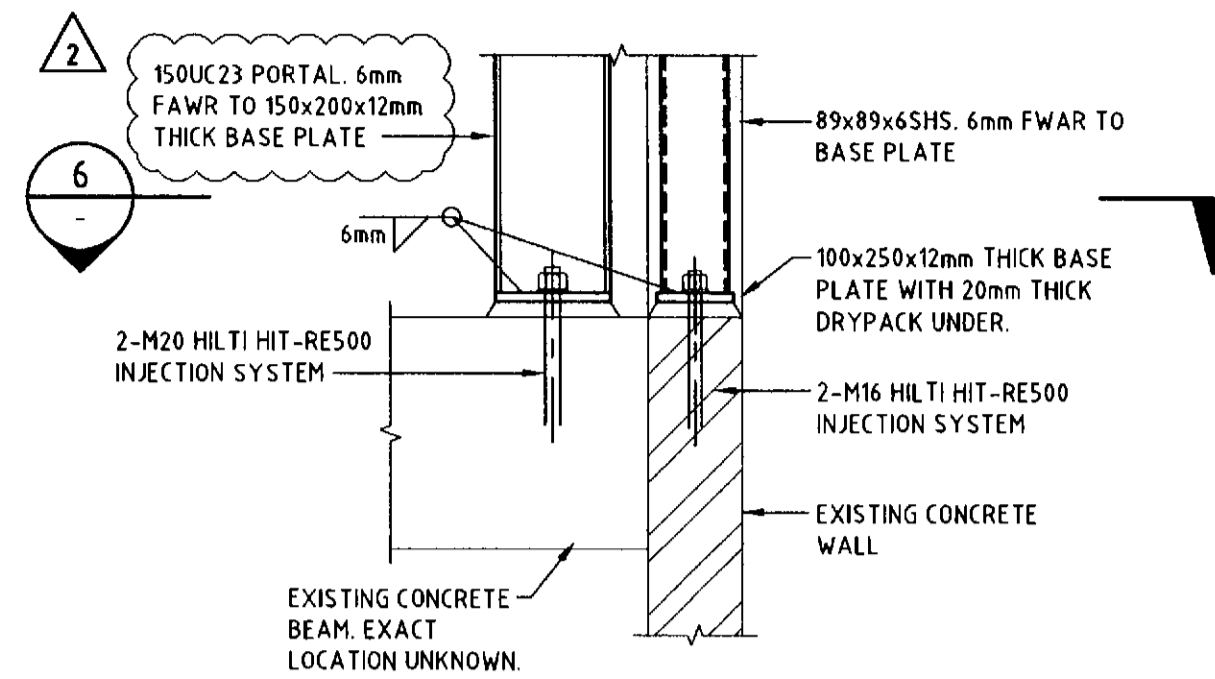
Scale
1:50 (@ A1)
1:100 (@ A3)

Drawing No. Rev.
S 23 2

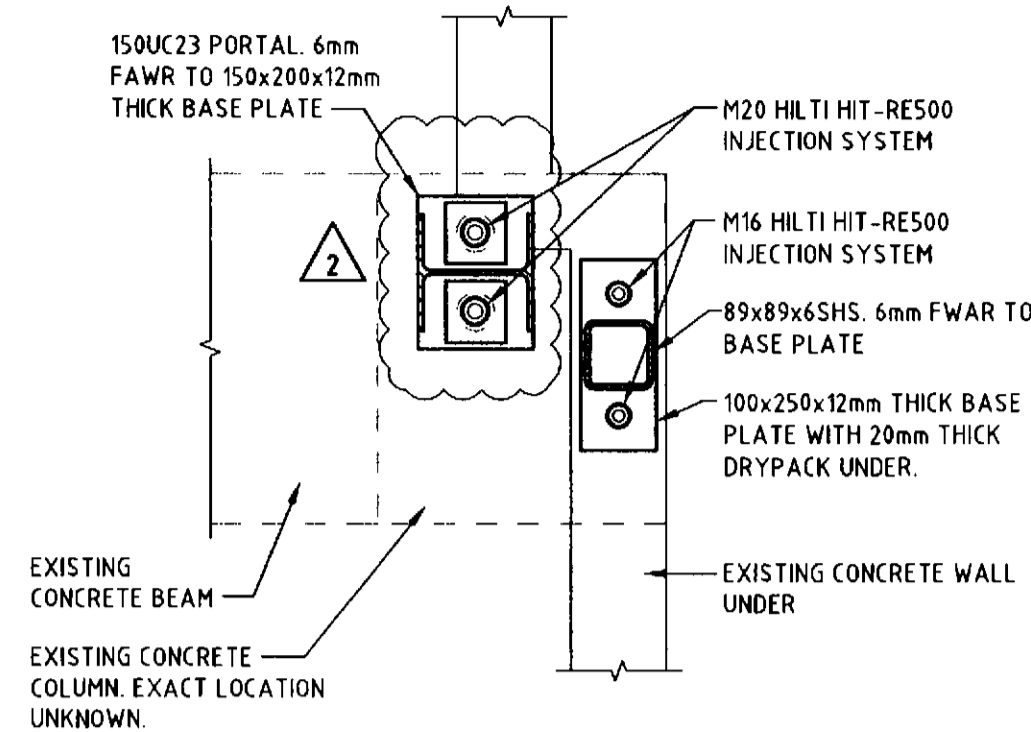
CONSENT/TENDER

Released under the Official Information Act 1982

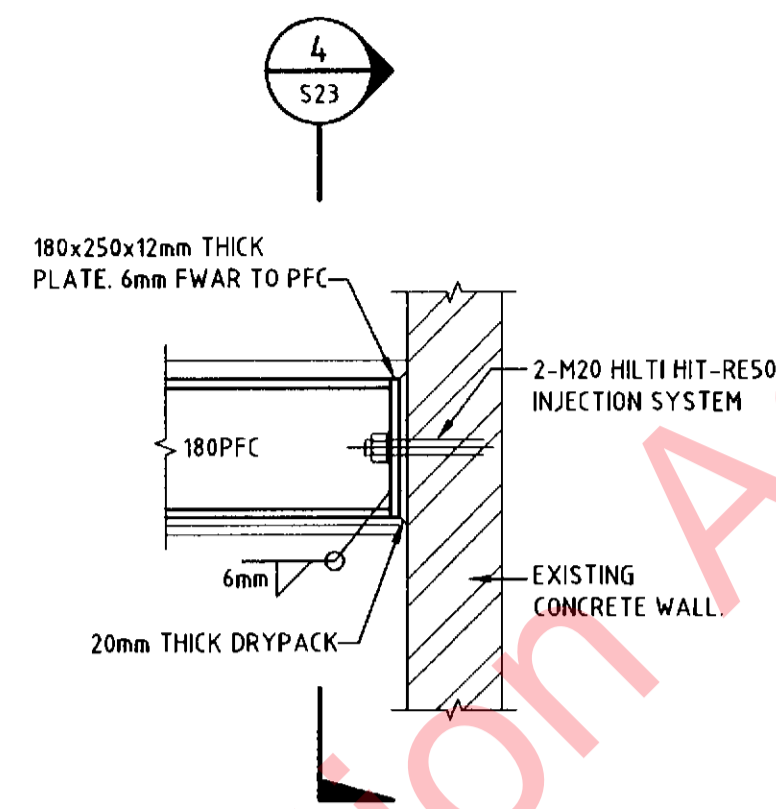
DATE: 15/08/05 10:41:11 AM FILE: C:\PROJECTS\WELLINGTON EAST GIRLS COLLEGE\DWG\SECTION 1.DWG



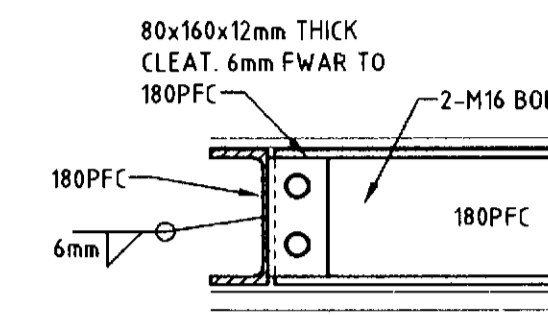
DETAIL I
SCALE 1:10
S22



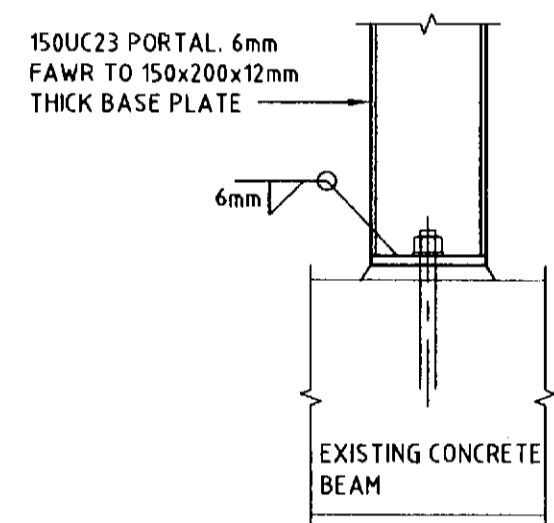
SECTION 6
SCALE 1:10
-



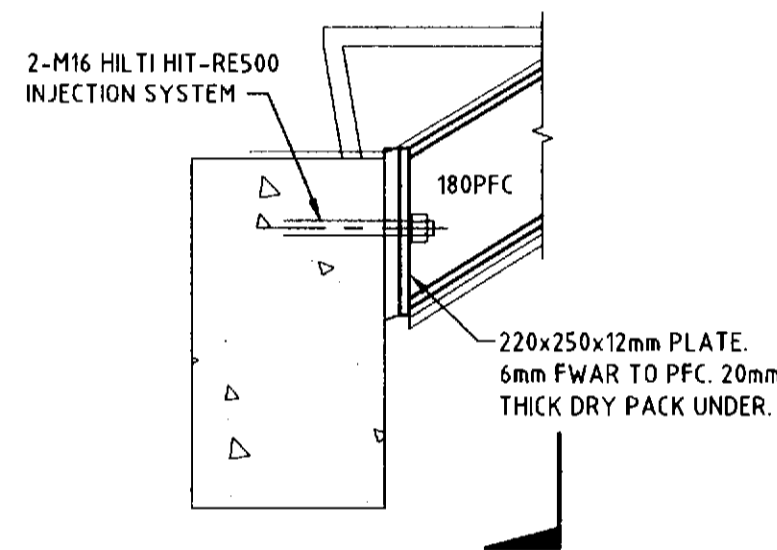
DETAIL J
SCALE 1:10
S22



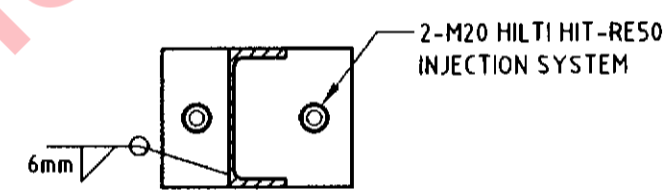
DETAIL K
SCALE 1:10
S22



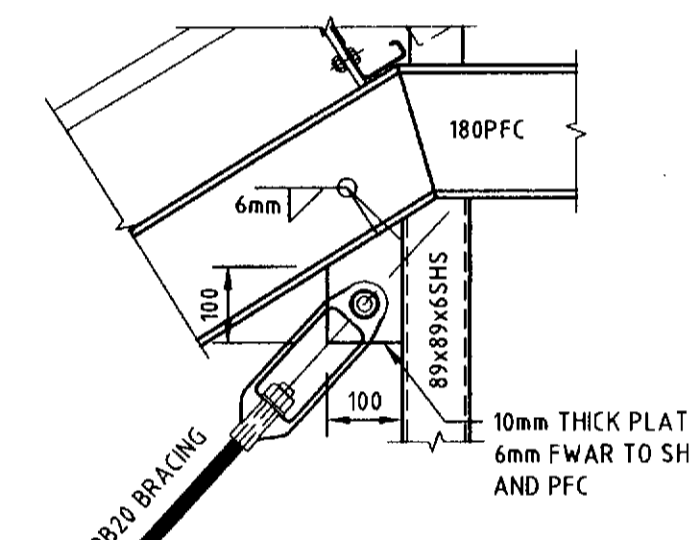
DETAIL L
SCALE 1:10
S22



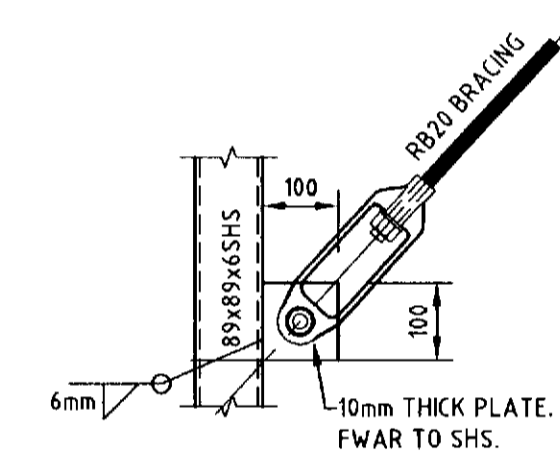
DETAIL M
SCALE 1:10
S22



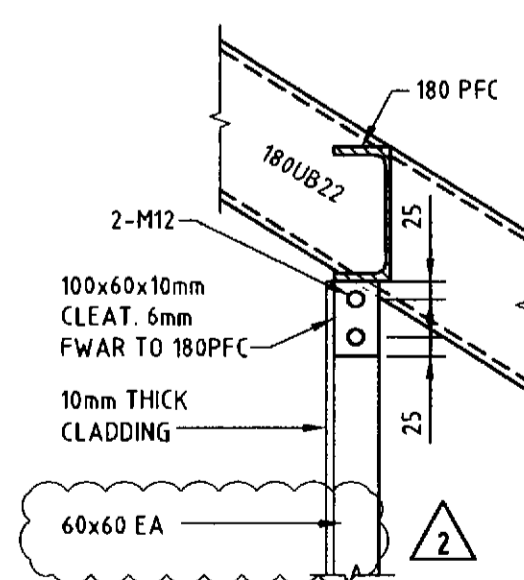
SECTION 5
SCALE 1:10
-



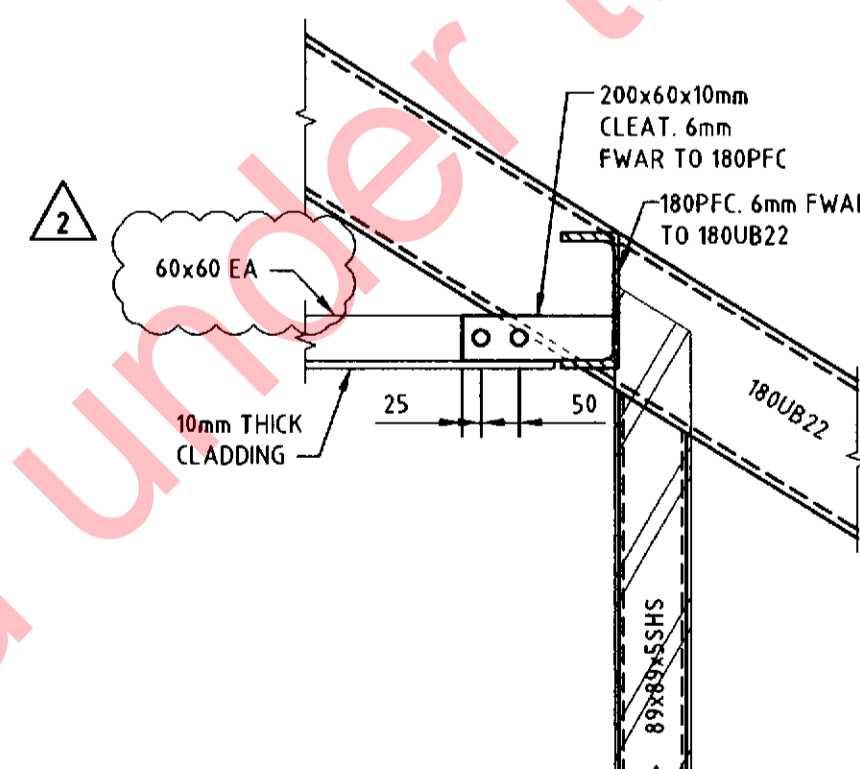
DETAIL N
SCALE 1:10
S22



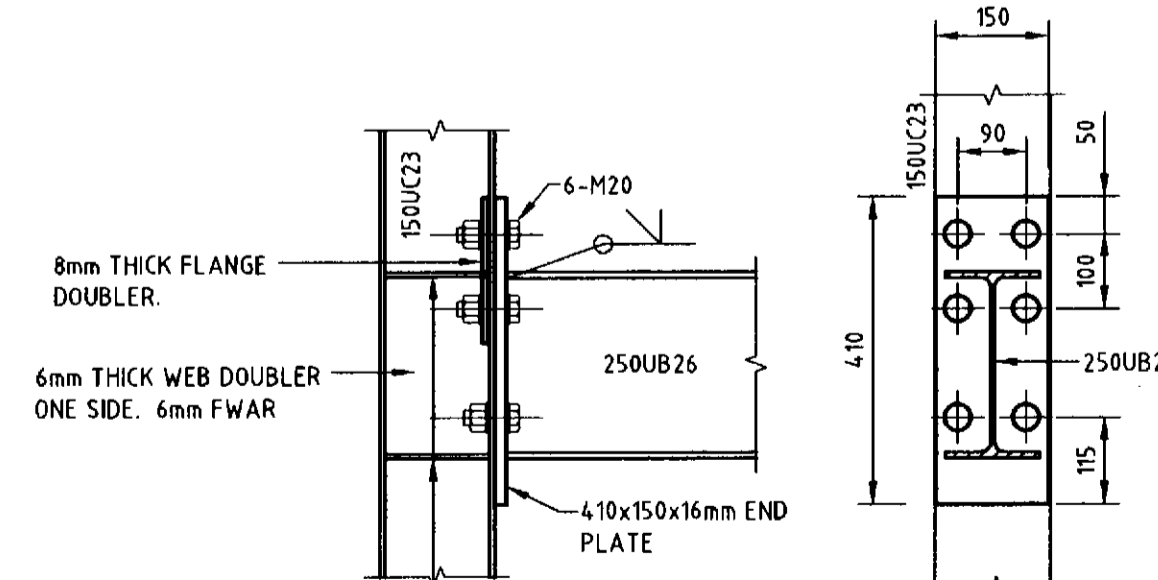
DETAIL O
SCALE 1:10
S22



DETAIL P
SCALE 1:10
S22



DETAIL Q
SCALE 1:10
S22



SECTION 7
SCALE 1:10
S21

W.C.G. RECORDS

2 5 11 2015

CONSENT/TENDER

Rev.	Date	Revision Details	By	Ver.	App.
2	10.08.05	FOR CONSENT/TENDER	CM	2	
1	05.08.05	PRELIMINARY	CM	2	

Connell Mott MacDonald
...building the future
Connell Wagner Limited
Lumley House, 3 Hunter Street (PO Box 1591)
Wellington New Zealand
Telephone: +64 4 472 9589
Facsimile: +64 4 472 9822
Email: cwwel@connwag.com

A person using Connell Wagner drawings and other data accepts the risk of:
1. using the drawings and other data in electronic form without requesting and checking them for accuracy against the original hard copy versions.
2. using the drawings or other data for any purpose not agreed to in writing by Connell Wagner.

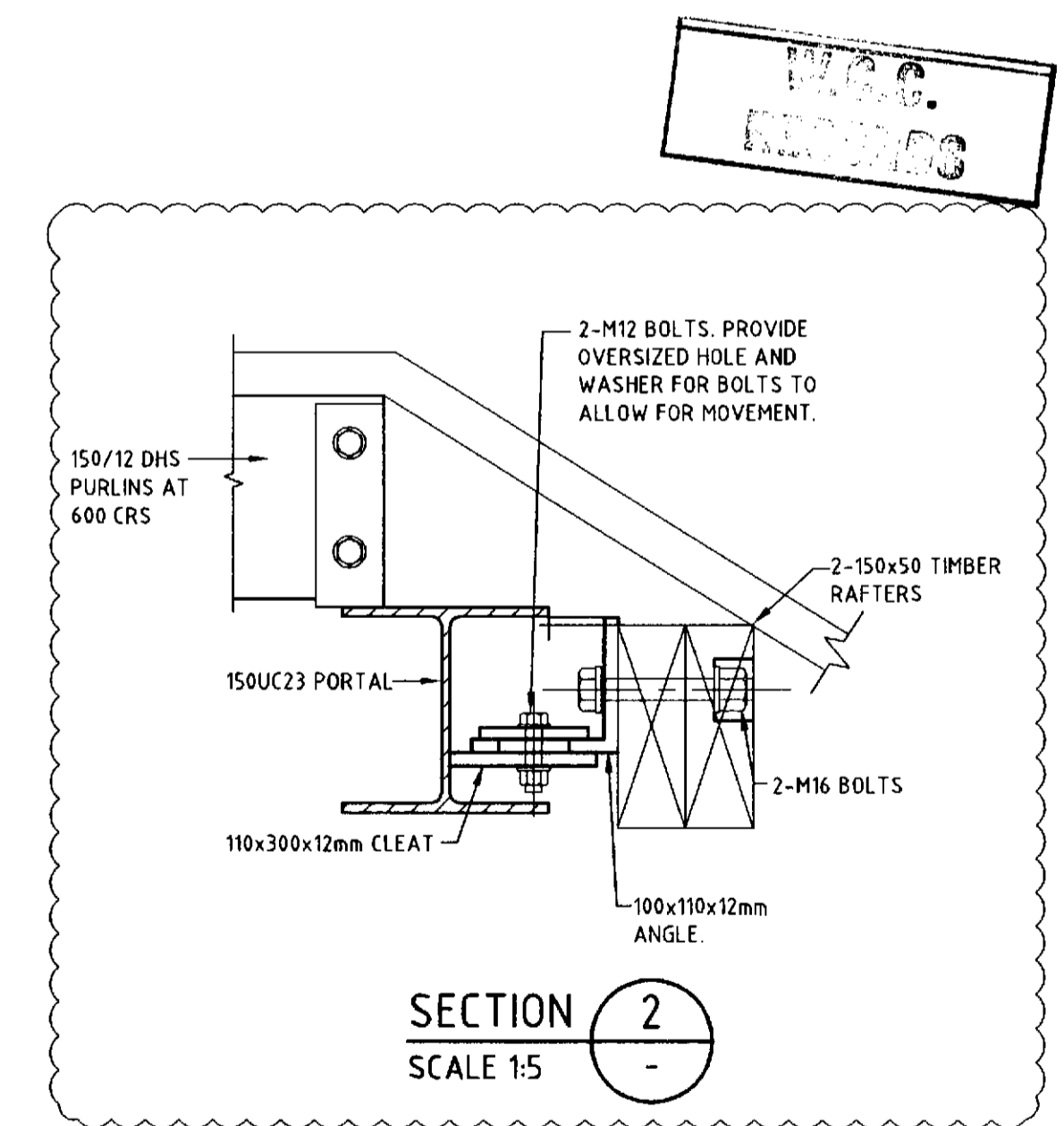
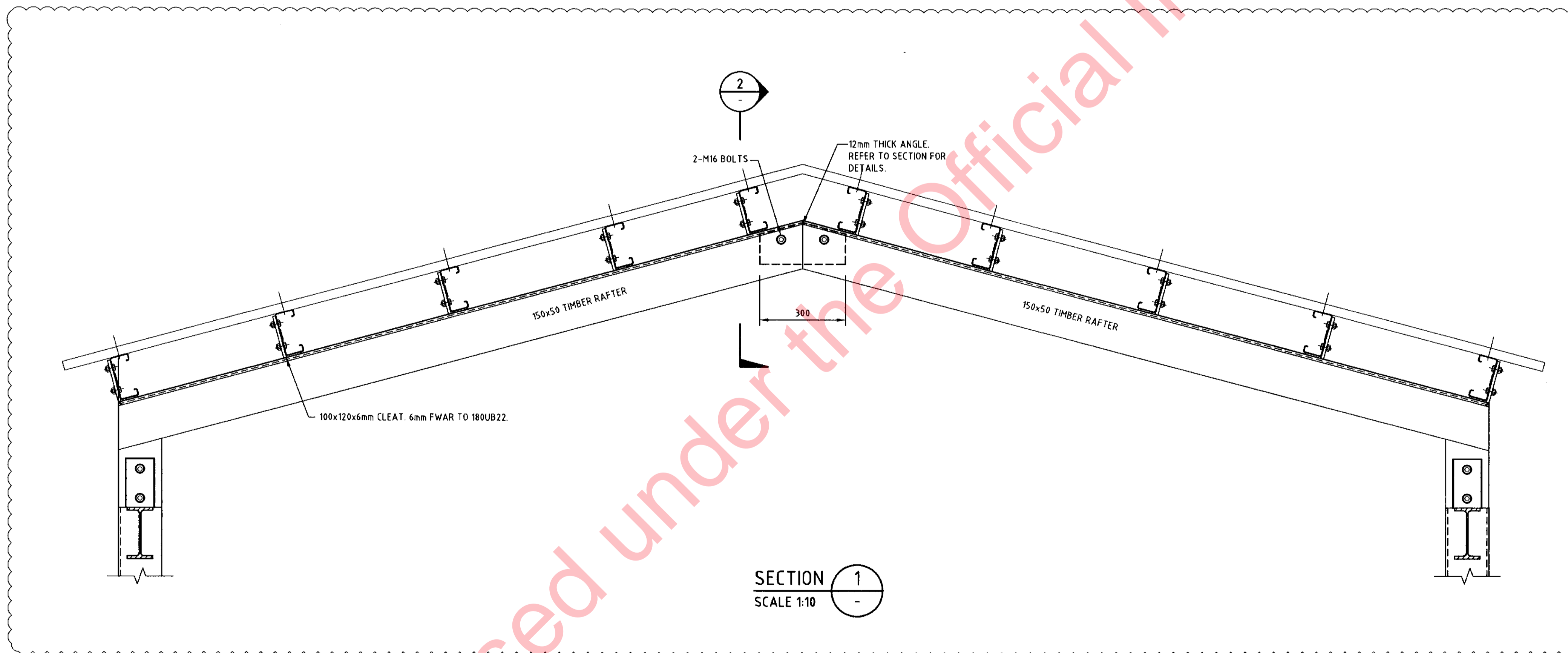
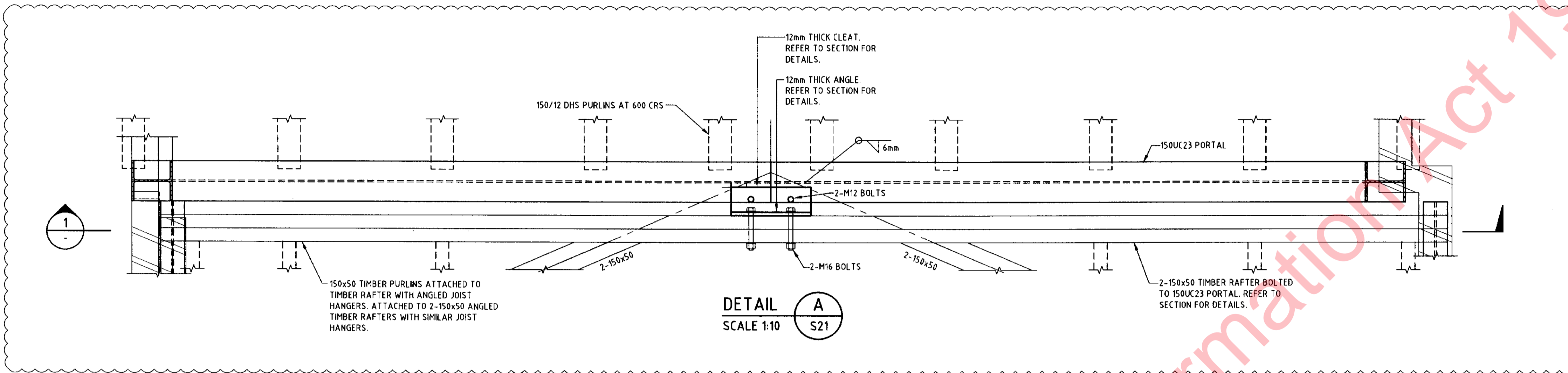
Client: **WELLINGTON EAST GIRLS COLLEGE**

Project: **EXTENSION TO EAST WING BLOCK 7**

Drawn	Signed	Date
CM	[Signature]	16-08-05
Designed	Signed	Date
TW	[Signature]	16-08-05
Verified	Signed	Date
CJM		
Approved	Signed	Date
MM		

Drawing Title: **SECTIONS & DETAILS**

CW Project No.	7970 12
Scale	1:50 (@ A1) 1:100 (@ A3)
Drawing No.	S 24
Rev.	2



CONSENT/TENDER

Rev.	Date	Revision Details	By	Ver.	App.
2	10.08.05	FOR CONSENT/TENDER	CM	J.W.	
1	05.08.05	PRELIMINARY	CM	J.W.	

Connell Mott MacDonald
...building the future

Connell Wagner Limited
Lumley House, 3 Hunter Street (PO Box 1591)
Wellington New Zealand
Telephone: +64 4 472 9589
Facsimile: +64 4 472 9822
Email: cwwel@connwag.com

A person using Connell Mott MacDonald drawings and other data accepts the risk of:
1. using the drawings and other data in electronic form without requesting and checking them for accuracy against the original hard copy versions.
2. using the drawings or other data for any purpose not agreed to in writing by Connell Mott MacDonald.

Client:
WELLINGTON EAST GIRLS COLLEGE

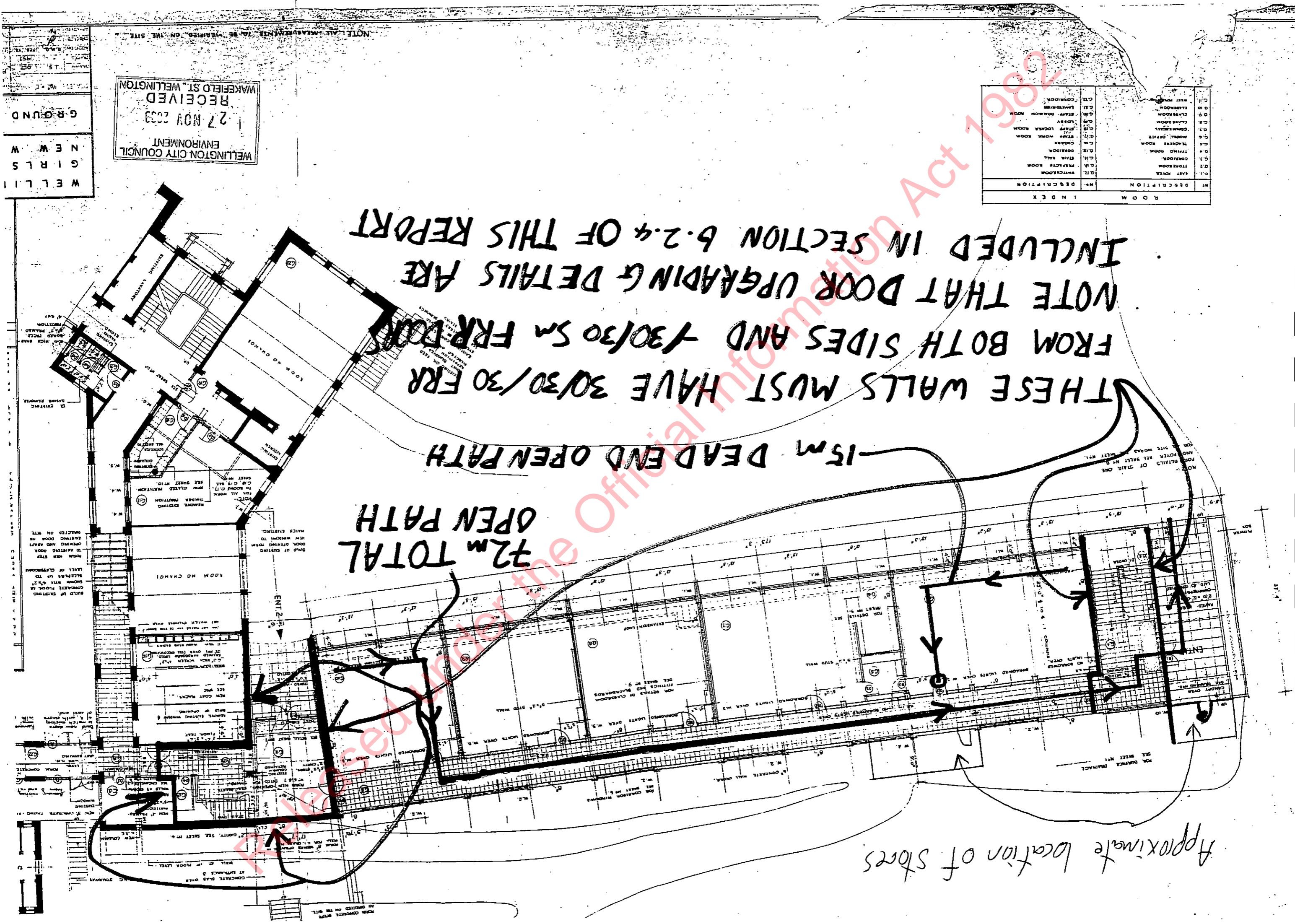
Project:
EXTENSION TO EAST WING BLOCK 7

Drawn	Signed	Date
CM	[Signature]	16-08-05
Designed	Signed	Date
TW	[Signature]	16-08-05
Verified	Signed	Date
CJM		
Approved	Signed	Date
MM		

Drawing Title:
RAFTER DETAILS

CW Project No.
7970 12
Scale
1:10 (@ A1) 1:20 (@ A3)
Drawing No.
S 25
Rev.
2

Released under the Official Information Act 1982



WELLINGTON GIRLS NEW SCHOOL GROUND

WELLINGTON CITY COUNCIL
ENVIRONMENT
27 NOV 2003
RECEIVED
WAKEFIELD ST, WELLINGTON

NO	DESCRIPTION	NO	DESCRIPTION
C.1	EAST HALL	C.17	STAIRCASE
C.2	STORAGE	C.18	STAIRCASE
C.3	CORRIDOR	C.19	STAIRCASE
C.4	TRAINING ROOM	C.20	STAIRCASE
C.5	TEACHERS ROOM	C.21	STAIRCASE
C.6	MODEL OFFICE	C.22	STAIRCASE
C.7	STAFF WORK ROOM	C.23	STAIRCASE
C.8	STAFF LOCKER ROOM	C.24	STAIRCASE
C.9	CLASSROOM	C.25	STAIRCASE
C.10	CLASSROOM	C.26	STAIRCASE
C.11	CLASSROOM	C.27	STAIRCASE
C.12	CLASSROOM	C.28	STAIRCASE
C.13	CLASSROOM	C.29	STAIRCASE
C.14	CLASSROOM	C.30	STAIRCASE
C.15	CLASSROOM	C.31	STAIRCASE
C.16	CLASSROOM	C.32	STAIRCASE

THESE WALLS MUST HAVE 30/30/30 FRP FROM BOTH SIDES AND 130/305m FRP DOOR
NOTE THAT DOOR UPGRADING DETAILS ARE INCLUDED IN SECTION B.2.4 OF THIS REPORT

72m TOTAL OPEN PATH
15m DEAD END OPEN PATH

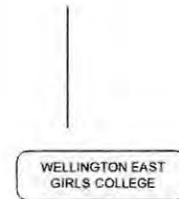
Approximate location of stores

WELLINGTON EAST GIRLS COLLEGE EXTENSION TO EAST WING BLOCK 7

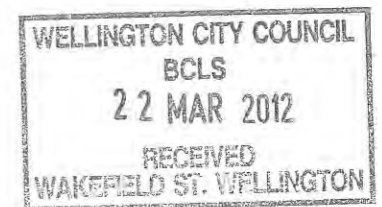


DRAWING INDEX

DRG NO	TITLE
S00	COVER SHEET
S01	SECOND FLOOR LAYOUT PLAN
S02	ROOF FRAMING PLAN
S03	SOUTH ELEVATION
S04	CROSS SECTIONS - SHEET ONE
S05	CROSS SECTIONS - SHEET TWO
S06	CROSS SECTIONS - SHEET THREE
S07	DETAILS - SHEET ONE
S08-1	DETAILS - SHEET TWO
S08-2	DETAILS - SHEET THREE
S09	FOUNDATION STRENGTHENING PLAN
S10	FOUNDATION STRENGTHENING DETAILS
S11	BRIDGE PLANS
S12	BRIDGE SECTIONS & ELEVATIONS
S13	BRIDGE SECTIONS & DETAILS - SHEET ONE
S14	BRIDGE SECTIONS & DETAILS - SHEET TWO
S20	STAIR PLAN - SHEET ONE
S21	STAIR ROOF FRAMING PLAN - SHEET TWO
S22	STAIR CROSS SECTIONS - SHEET THREE
S23	SECTIONS & DETAILS, SHEET ONE
S24	SECTIONS & DETAILS, SHEET TWO
S25	RAFTER DETAILS
S26	STAIRCASE LAYOUT



M:\7970\12\cad\EAST GIRLS.bmp



WELLINGTON CITY COUNCIL
SERVICE REQUEST NO.

LOCALITY PLAN

251672

APPROVED BUILDING
CONSENT DOCUMENTS

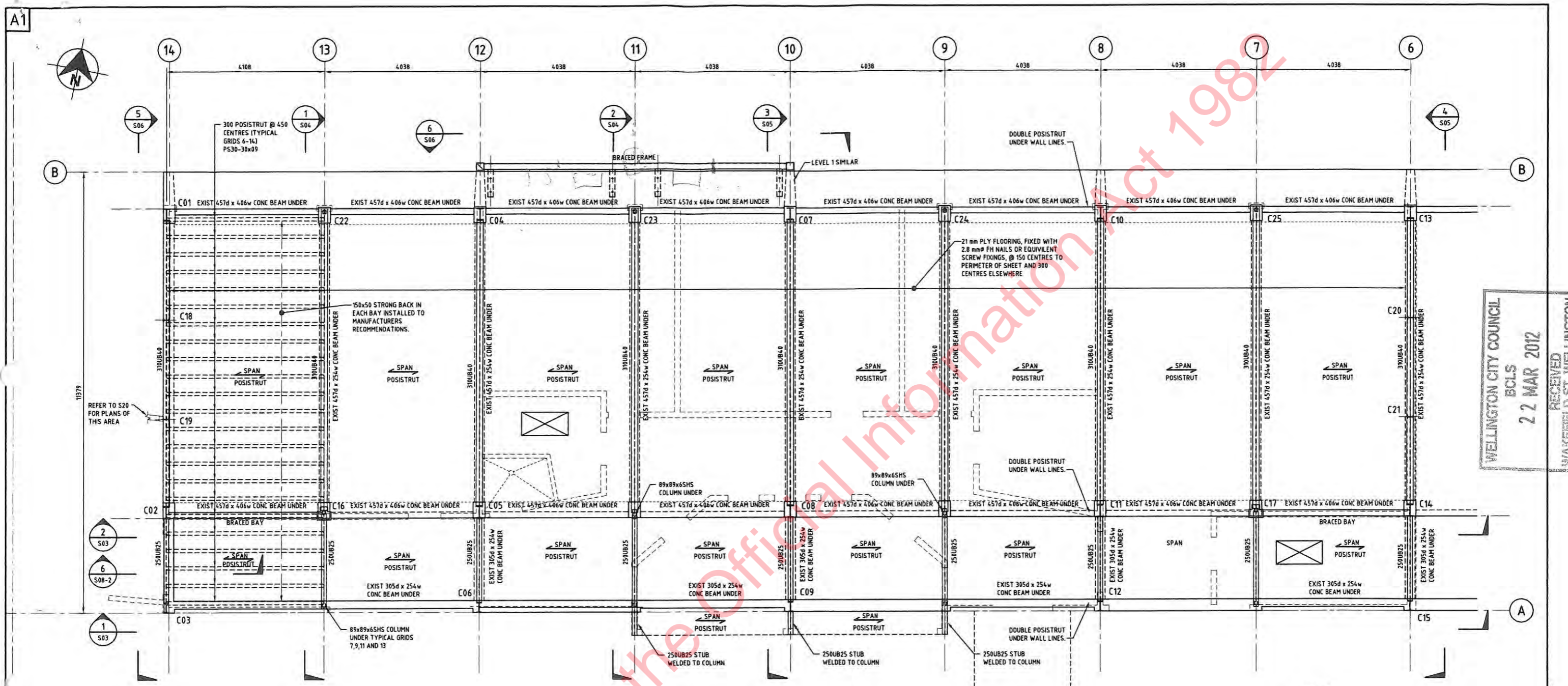
Connell Mott MacDonald

...building the future

Connell Wagner Limited Telephone: +64 4 472 9589
Microsoft House, 3 Hunter Street (PO Box 1591) Facsimile: +64 4 472 9922
Wellington New Zealand Email: cwwel@conwag.com

CONSTRUCTION

CW Project No.	Drawing No.	Revision
7970	S00	A



PLAN
(@ PROPOSED SECOND FLOOR)
SCALE 1:50

COLUMN SCHEDULE	
MARK	SIZE
C01	310UB40
C02	310UB40
C03	250UB25
C04	310UB40
C05	310UB40
C06	250UB25
C07	310UB40
C08	310UB40
C09	250UB25
C10	310UB40
C11	310UB40
C12	250UB25
C13	310UB40
C14	310UB40
C15	250UB25
C16	89x89x6SHS
C17	89x89x6SHS
C18	150UB14
C19	150UB14
C20	150UB14
C21	150UB14
C22	89x89x6SHS
C23	89x89x6SHS
C24	89x89x6SHS
C25	89x89x6SHS

- NOTES**
- THIS DRAWING TO BE READ IN CONJUNCTION WITH THE SPECIFICATION
 - ALL WELDS TO BE 6mm CONTINUOUS FILLET WELDS ALL ROUND USING E40XX ELECTRODES UNLESS NOTED OTHERWISE
 - ALL BOLTS TO BE GRADE 8.8/8 UNLESS NOTED OTHERWISE
 - STRUCTURAL STEEL TO BE $F_y = 350$ MPa FOR RHS AND SHS SECTIONS AND $F_y = 300$ MPa FOR OTHER SECTIONS
 - ALL PLATES TO BE 10mm THICK UNLESS NOTED OTHERWISE
 - ALL DIMENSIONS TO BE MEASURED AND VERIFIED ON SITE PRIOR TO ANY FABRICATION
 - POSISTRUT DESIGN LOADING - LIVE LOAD = 30kPa
- KEY**
- ⊠ FLOOR HATCH (REFER TO ARCHITECTURAL DRAWINGS FOR EXACT LOCATION)

WELLINGTON CITY COUNCIL
SERVICE REQUEST No.
251672
APPROVED BUILDING
CONSENT DOCUMENTS

CONSTRUCTION

Rev.	Date	Revision Details	By	Ver.	App.
1	05.08.05	PRELIMINARY	ABM		
2	10.08.05	FOR CONSENT/TENDER	TW		
3	05.09.05	RE-ISSUE FOR CONSENT/TENDER	GKS		
A	29.11.05	ISSUE FOR CONSTRUCTION	TW		

Connell Mott MacDonald
...building the future

Connell Mott MacDonald Limited
Lumley House, 3 Hunter Street (PO Box 1591)
Wellington New Zealand
Telephone: +64 4 472 9589
Facsimile: +64 4 472 9922
Email: cmm@connellmottmacdonald.co.nz

Client: WELLINGTON EAST GIRLS COLLEGE

Project: EXTENSION TO EAST WING BLOCK 7

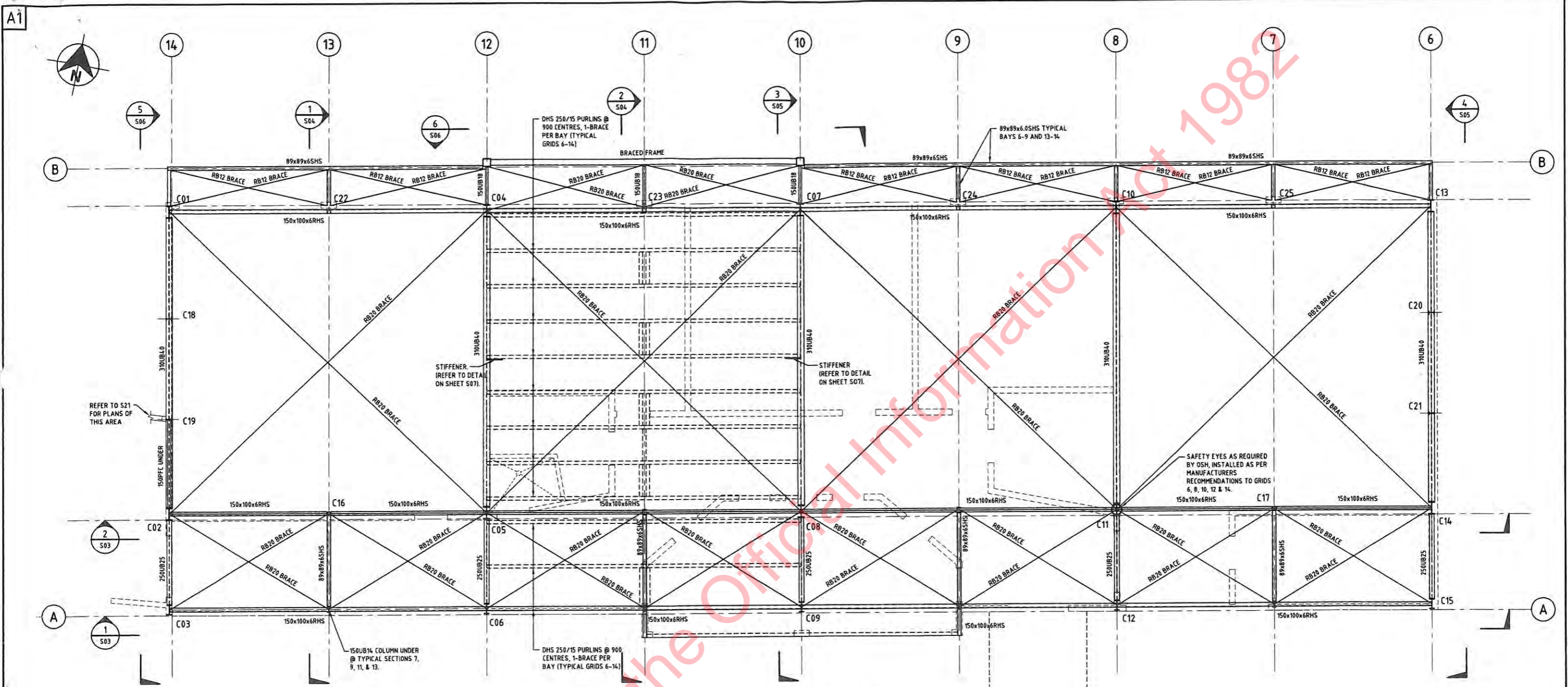
Drawn	Signed	Date
ABM	Signed	05.08.05
Designed	Signed	Date
GKS	Signed	05.08.05
Verified	Signed	Date
CJM	Signed	10.08.05
Approved	Signed	Date
MM	Signed	10.08.05

Drawing Title: SECOND FLOOR LAYOUT PLAN

CW Project No.	
7970 12	
Scale	1:50 (@ A1) 1:100 (@ A3)
Drawing No.	S 01
Rev.	A

WELLINGTON CITY COUNCIL
BCLS
22 MAR 2012
RECEIVED
WAKEFIELD ST. WELLINGTON

Released under the Official Information Act 1982



PLAN
(ROOF FRAMING)
SCALE 1:50

WELLINGTON CITY COUNCIL
SERVICE REQUEST No.
251672

WELLINGTON CITY COUNCIL
ECLS
22 MAR 2012
RECEIVED
WAKEFIELD ST. WELLINGTON

APPROVED BUILDING
CONSENT DOCUMENTS

CONSTRUCTION

Rev.	Date	Revision Details	By	Ver.	App.
A	29.11.05	ISSUE FOR CONSTRUCTION	TW		
3	05.09.05	RE-ISSUE FOR CONSENT/TENDER	TW		
2	10.08.05	FOR CONSENT/TENDER	TW		
1	05.08.05	PRELIMINARY	ABM		

Connell Mott MacDonald
...building the future

Connell Wagner Limited
Lunley House, 3 Hunter Street (PO Box 1594)
Wellington, New Zealand
Telephone: +64 4 472 0589
Facsimile: +64 4 472 9922
Email: cwmw@connmott.com

A person using Connell Mott MacDonald drawings and other data accepts the risk of:
1. using the drawings and other data in electronic form without requesting and checking them for accuracy against the original hard copy versions.
2. using the drawings or other data for any purpose not agreed to in writing by Connell Mott MacDonald.

Client:
WELLINGTON EAST GIRLS COLLEGE

Project:
EXTENSION TO EAST WING BLOCK 7

Drawn	Signed	Date
ABM	Signed	05.08.05
Designed	Signed	Date
TW	Signed	05.08.05
Verified	Signed	Date
CJM	Signed	10.08.05
Approved	Signed	Date
MM	Signed	10.08.05

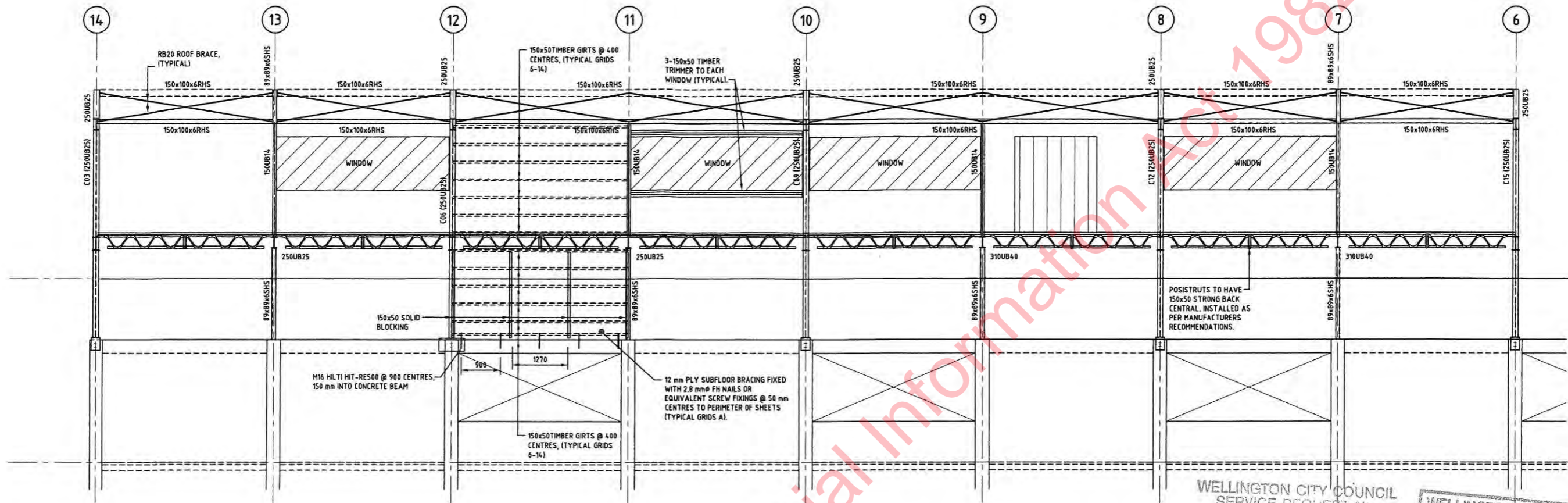
Drawing Title:
ROOF FRAMING PLAN

CW Project No.
7970 12

Scale
1:50 (@ A1)
1:100 (@ A3)

Drawing No. Rev.
S 02 A

Released under the Official Information Act 1982



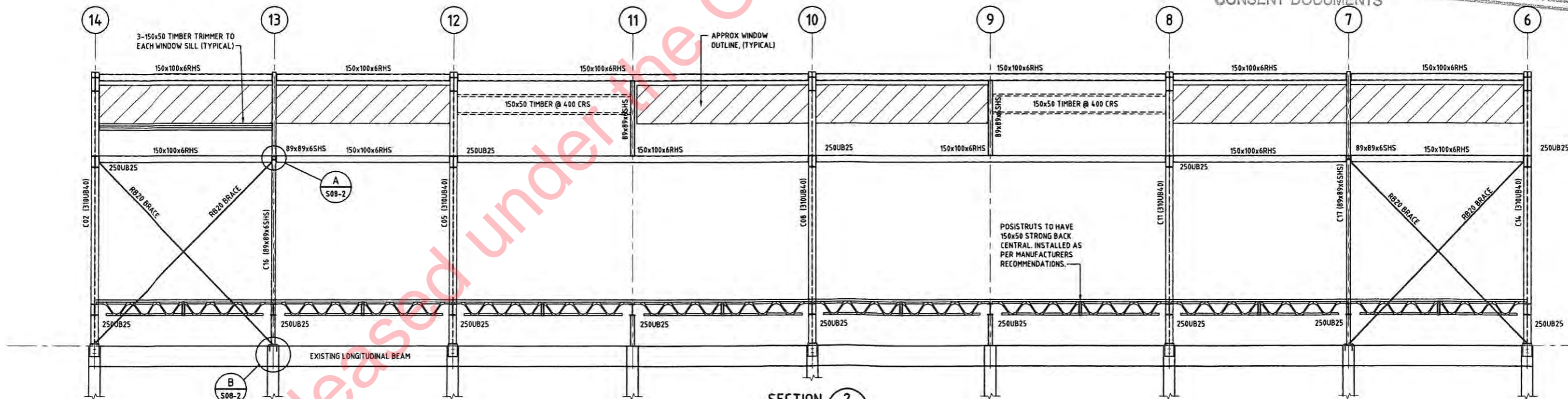
SECTION 1
SCALE 1:50

WELLINGTON CITY COUNCIL
SERVICE REQUEST No.

251672

APPROVED BUILDING
CONSENT DOCUMENTS

WELLINGTON CITY COUNCIL
BCLS
22 MAR 2012
RECEIVED
WAKEFIELD ST. WELLINGTON



SECTION 2
SCALE 1:50

CONSTRUCTION

Rev.	Date	Revision Details	By	Ver.	App.
A	29.11.05	ISSUE FOR CONSTRUCTION	TW		
3	05.09.05	RE-ISSUE FOR CONSENT/TENDER	TW		
2	10.08.05	FOR CONSENT/TENDER	TW		
1	05.08.05	PRELIMINARY	ABM		

Connell Mott MacDonald
...building the future

Connell Wagner Limited
Lumley House, 3 Hunter Street (PO Box 1591)
Wellington New Zealand
Telephone: +64 4 472 0880
Facsimile: +64 4 472 9922
Email: cmw@connellmottmacdonald.co.nz

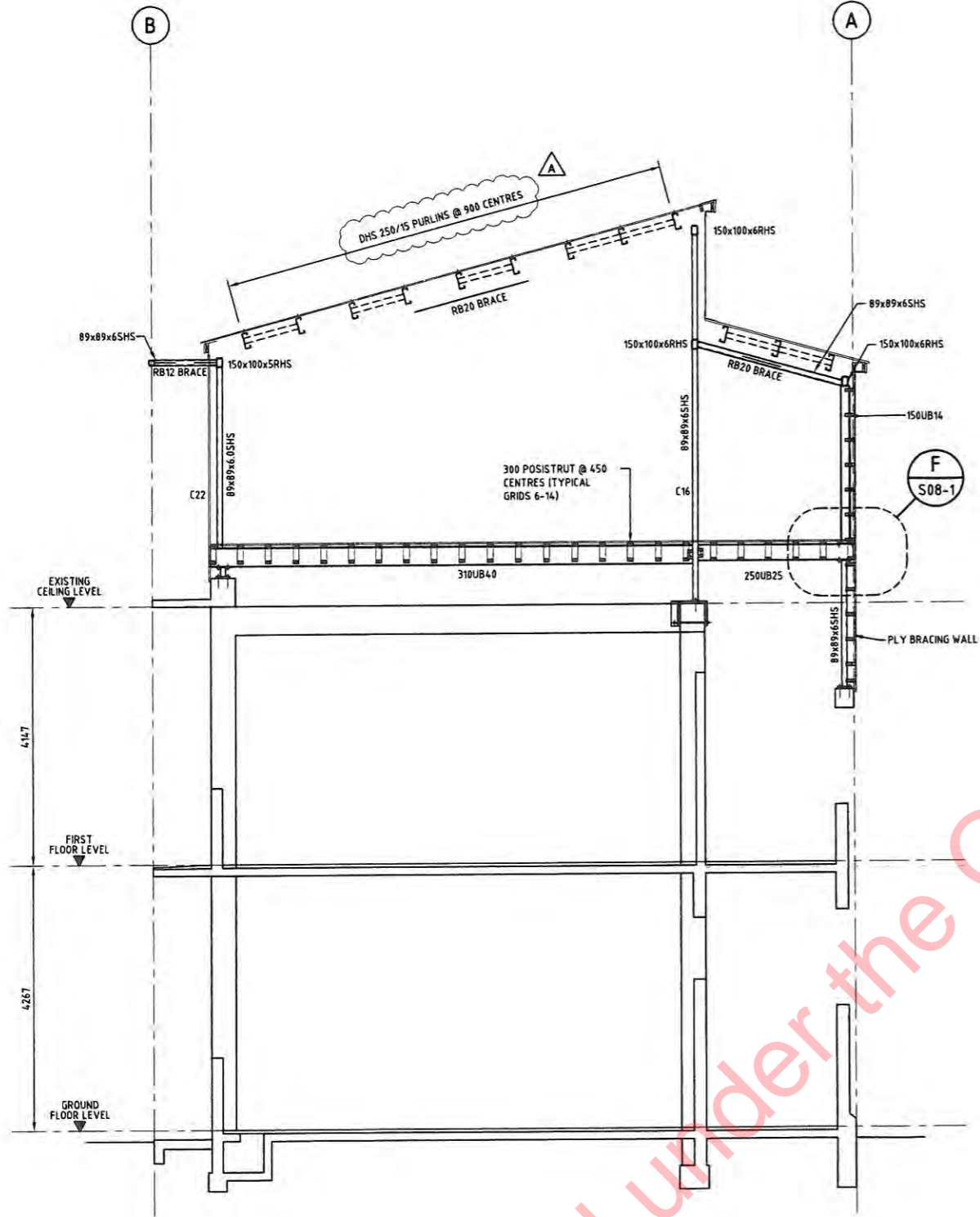
A person using Connell Mott MacDonald drawings and other data accepts the risk of:
1. using the drawings and other data in electronic form without requesting and checking them for accuracy against the original hard copy version.
2. using the drawings or other data for any purpose not agreed to in writing by Connell Mott MacDonald.

Client: WELLINGTON EAST GIRLS COLLEGE
Project: EXTENSION TO EAST WING BLOCK 7

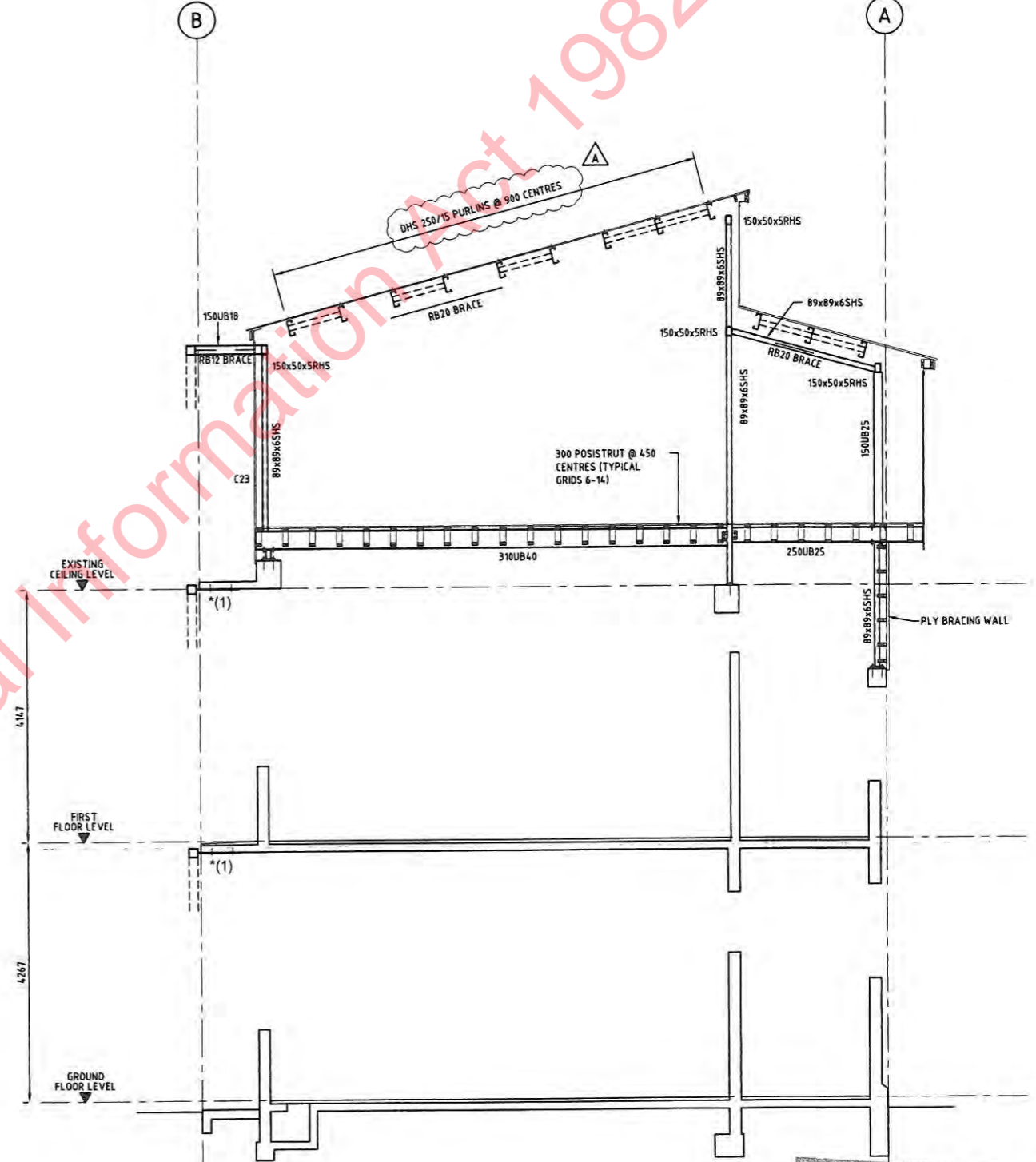
Drawn	Signed	Date
ABM	Signed	05.08.05
Designed	Signed	05.08.05
TW	Signed	10.08.05
Verified	Signed	10.08.05
CJM	Signed	10.08.05
Approved	Signed	10.08.05
MM	Signed	10.08.05

Drawing Title: SOUTH ELEVATION
Drawing No. S 03
Rev. A

CW Project No. 7970 12
Scale 1:50 (@ A1)
1:100 (@ A3)
Rev. A



SECTION 1
SCALE 1:50 S01 S02



WELLINGTON CITY COUNCIL
SERVICE REQUEST No.

251672 NO SECTION 2
SCALE 1:50 S01 S02

APPROVED BUILDING
CONSENT DOCUMENTS

WELLINGTON CITY COUNCIL
BCLS
22 MAR 2012
RECEIVED
WAKEFIELD ST. WELLINGTON

CONSTRUCTION

Rev.	Date	Revision Details	By	Ver.	App.
A	29.11.05	ISSUE FOR CONSTRUCTION	TW		
3	05.09.05	RE-ISSUE FOR CONSENT/TENDER	TW		
2	10.08.05	FOR CONSENT/TENDER	TW		
1	05.08.05	PRELIMINARY	ABM		

Connell Mott MacDonald
... building the future
Connell Wagner Limited
Lumley House, 3 Hunter Street (PO Box 1501)
Wellington New Zealand
Telephone: +64 4 472 9539
Facsimile: +64 4 472 9922
Email: cwwel@connellmottmacdonald.com

Client: **WELLINGTON EAST GIRLS COLLEGE**

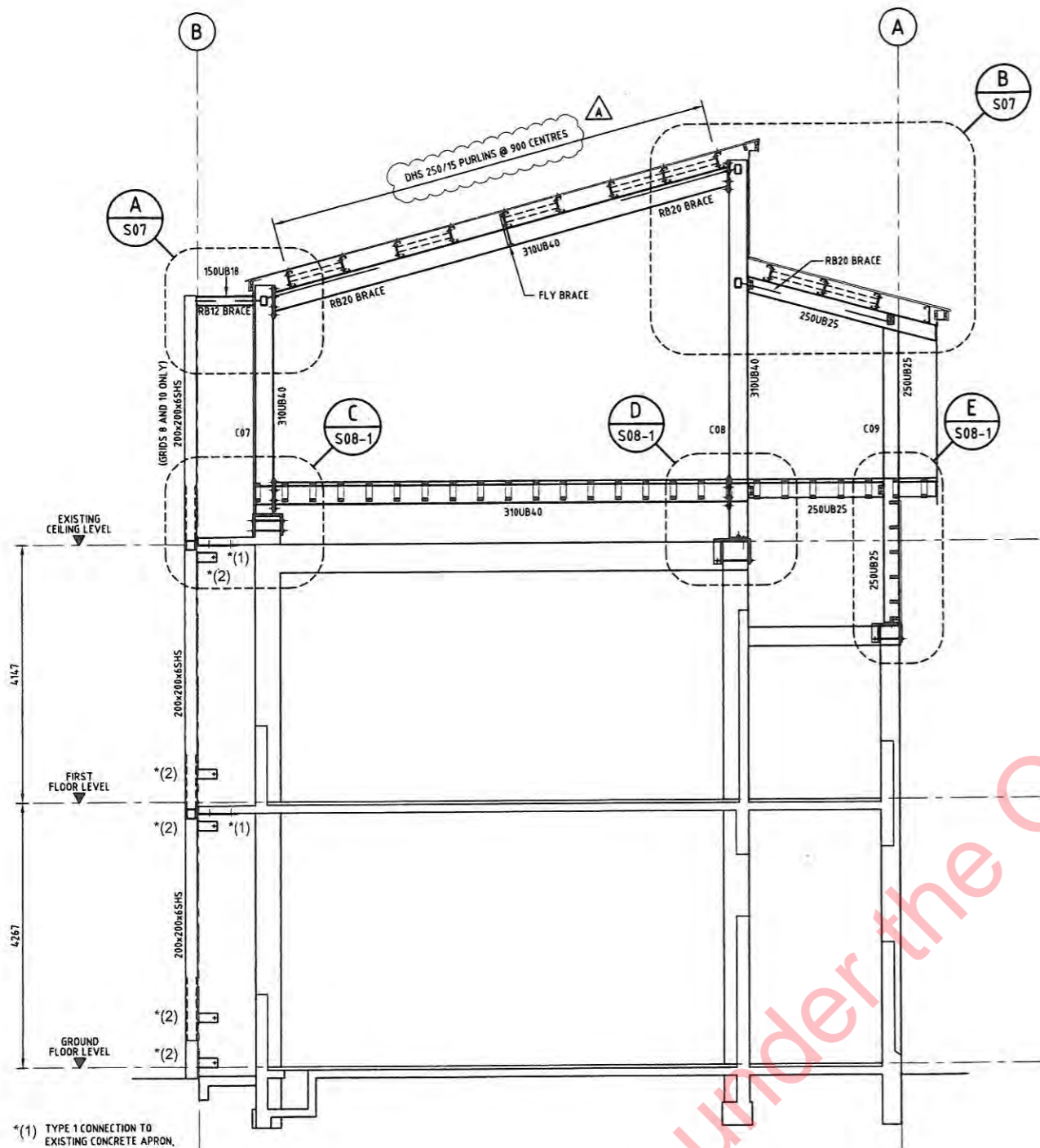
Project: **EXTENSION TO EAST WING BLOCK 7**

Drawn	Signed	Date
ABM	Signed	05.08.05
Designed	Signed	Date
TW	Signed	05.08.05
Verified	Signed	Date
CJM	Signed	10.08.05
Approved	Signed	Date
MM	Signed	10.08.05

Drawing Title: **CROSS SECTIONS SHEET ONE**

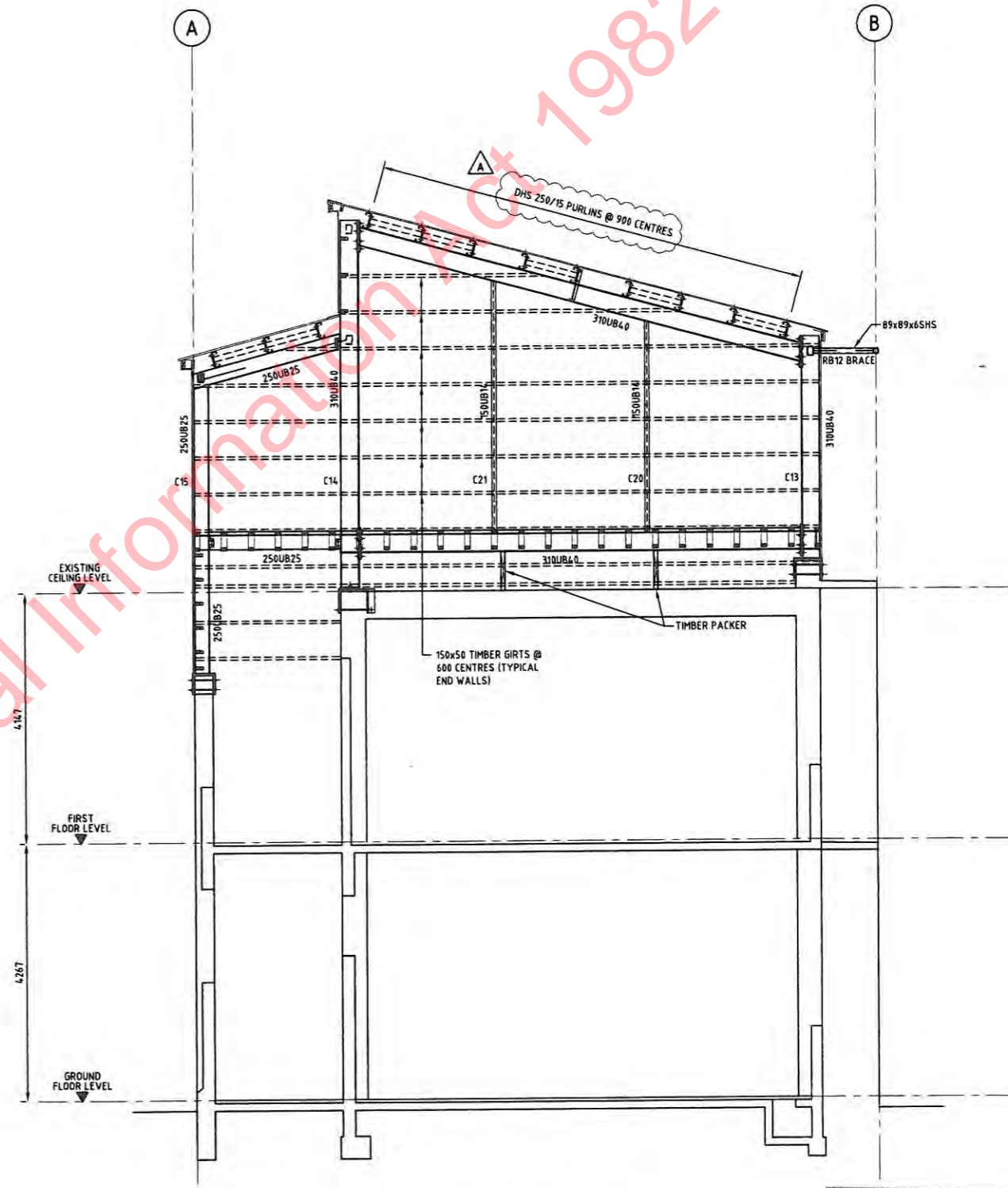
CW Project No. **7970 12**
Scale: 1:50 (@ A1)
1:100 (@ A3)
Drawing No. **S 04**
Rev. **A**

Released under the Official Information Act 1982



- *(1) TYPE 1 CONNECTION TO EXISTING CONCRETE APRON, REFER SHEET S08-1
- *(2) TYPE 2 CONNECTION TO EXISTING CONCRETE COLUMN, REFER SHEET S08-1

SECTION 3
SCALE 1:50



END ELEVATION (EAST)
WELLINGTON CITY COUNCIL SERVICE REQUEST No. (VIEWED FROM OUTSIDE)

251672

APPROVED BUILDING
CONSENT DOCUMENTS

SECTION 4
SCALE 1:50

WELLINGTON CITY COUNCIL
BCLS
22 MAR 2012
RECEIVED
WAKEFIELD ST. WELLINGTON

CONSTRUCTION

Rev.	Date	Revision Details	By	Ver.	App.
A	29.11.05	ISSUE FOR CONSTRUCTION	TW		
3	05.09.05	RE-ISSUE FOR TENDER	TW		
2	10.08.05	FOR CONSENT/TENDER	TW		
1	05.08.05	PRELIMINARY	ABM		

Connell Mott MacDonald
...building the future

Connell Wagner Limited
Lumley House, 3 Hunter Street (PO Box 1591)
Wellington New Zealand
Telephone: +64 4 472 0580
Facsimile: +64 4 472 9922
Email: cwmw@conwag.com

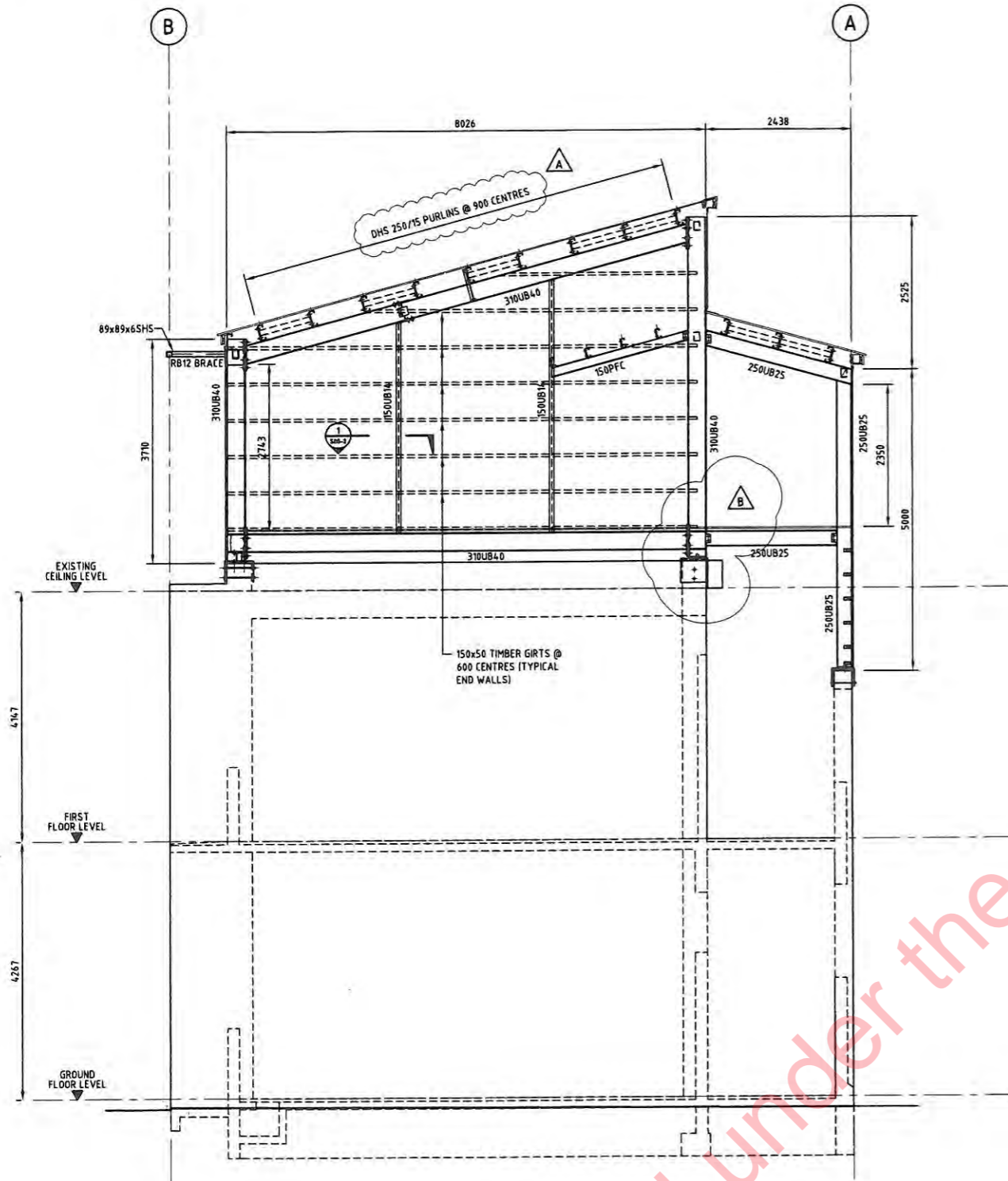
A person using Connell Wagner drawings and other data accepts the risk of:
1. using the drawings and other data in electronic form without requesting and checking them for accuracy against the original hard copy versions.
2. using the drawings or other data for any purpose not agreed to in writing by Connell Wagner.

Client:	WELLINGTON EAST GIRLS COLLEGE
Project:	EXTENSION TO EAST WING BLOCK 7

Drawn	Signed	Date	Drawing Title: CROSS SECTIONS SHEET TWO
ABM		05.08.05	
Designed	Signed	Date	
TW		05.08.05	
Verified	Signed	Date	
CJM		10.08.05	
Approved	Signed	Date	
MM		10.08.05	

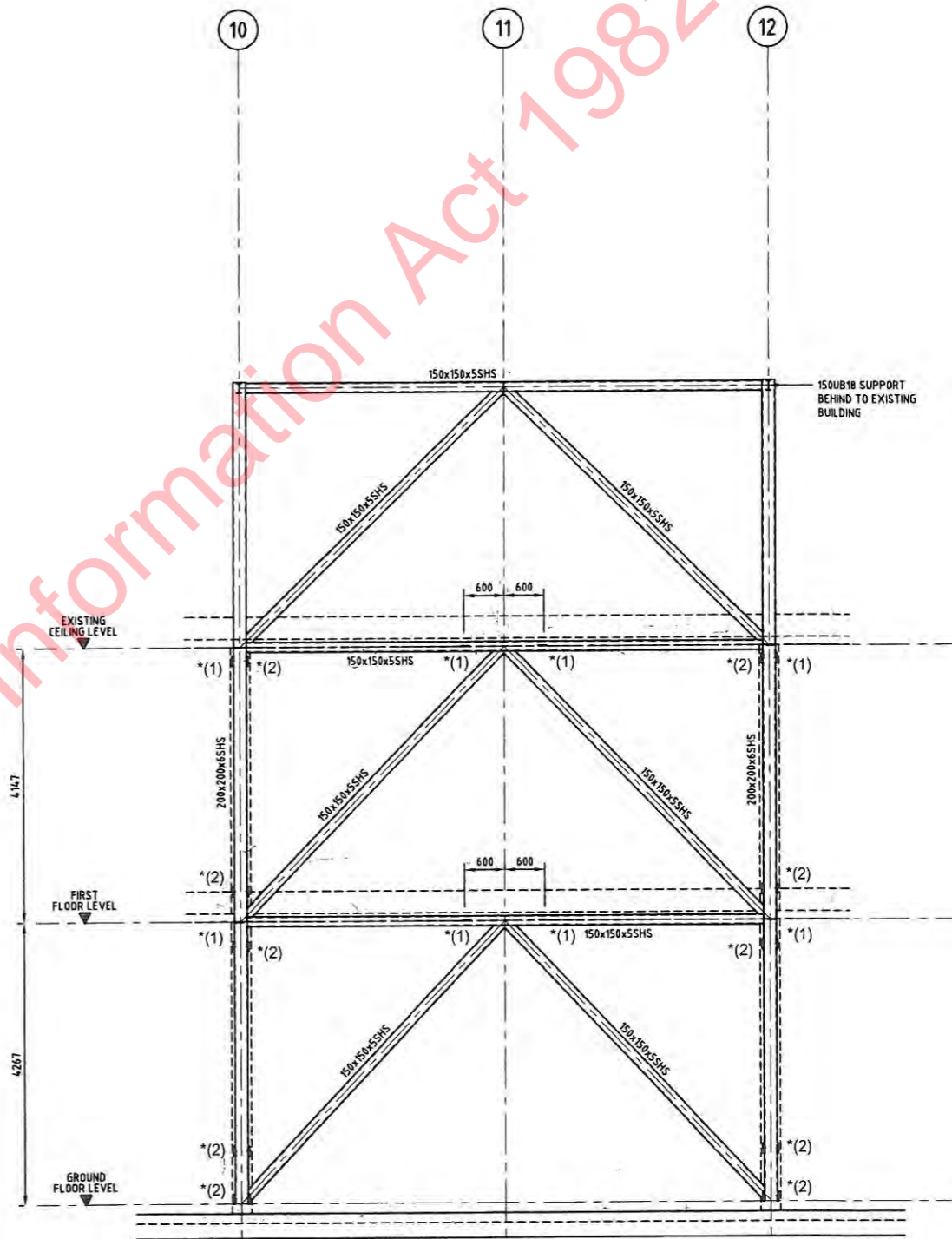
CW Project No.	7970 12
Scale	1:50 (@ A1) 1:100 (@ A3)
Drawing No.	S 05
Rev.	A

CONSTRUCTION
 WELLINGTON CITY COUNCIL BCLS 22 MAR 2012 RECEIVED WAKEFIELD ST. WELLINGTON
 # 251672
 APPROVED BUILDING CONSENT DOCUMENTS
 END ELEVATION (EAST) (VIEWED FROM OUTSIDE)
 SECTION 4 SCALE 1:50
 SECTION 3 SCALE 1:50
 CROSS SECTIONS SHEET TWO
 CW Project No. 7970 12
 Scale 1:50 (@ A1) 1:100 (@ A3)
 Drawing No. S 05 Rev. A
 Connell Mott MacDonald
 Wellington New Zealand
 Telephone: +64 4 472 0580
 Facsimile: +64 4 472 9922
 Email: cwmw@conwag.com



END ELEVATION (WEST)
(VIEWED FROM OUTSIDE - PORTAL SETOUT)

SECTION 5
SCALE 1:50 S01 S02



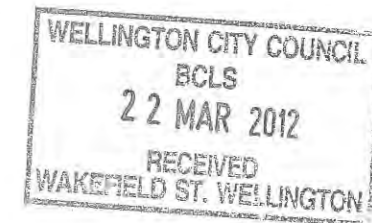
WELLINGTON CITY COUNCIL
SERVICE REQUEST No.

251672

SECTION 6
SCALE 1:50 S01 S02

APPROVED BUILDING
CONSENT DOCUMENTS

- *(1) TYPE 1 CONNECTION TO EXISTING CONCRETE APRON, REFER SHEET S08-1
- *(2) TYPE 2 CONNECTION TO EXISTING CONCRETE COLUMN, REFER SHEET S08-1



CONSTRUCTION

Rev.	Date	Revision Details	By	Ver.	App.
A	29.11.05	ISSUE FOR CONSTRUCTION	TW		
3	05.09.05	RE-ISSUE FOR TENDER	TW		
2	10.08.05	FOR CONSENT/TENDER	TW		
1	05.08.05	PRELIMINARY	ABM		

Connell Mott MacDonald
... building the future

Connell Wagner Limited
Lumley House, 3 Hunter Street (PO Box 1591)
Wellington New Zealand
Telephone: +64 4 472 9589
Facsimile: +64 4 472 9622
Email: cwmw@connm.com

A person using Connell Mott MacDonald drawings and other data accepts the risk of:
1. using the drawings and other data in electronic form without requesting and checking their accuracy against the original hard copy versions;
2. using the drawings or other data for any purpose not agreed to in writing by Connell Mott MacDonald.

Client:	WELLINGTON EAST GIRLS COLLEGE
Project:	EXTENSION TO EAST WING BLOCK 7

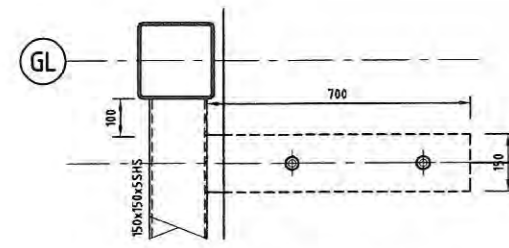
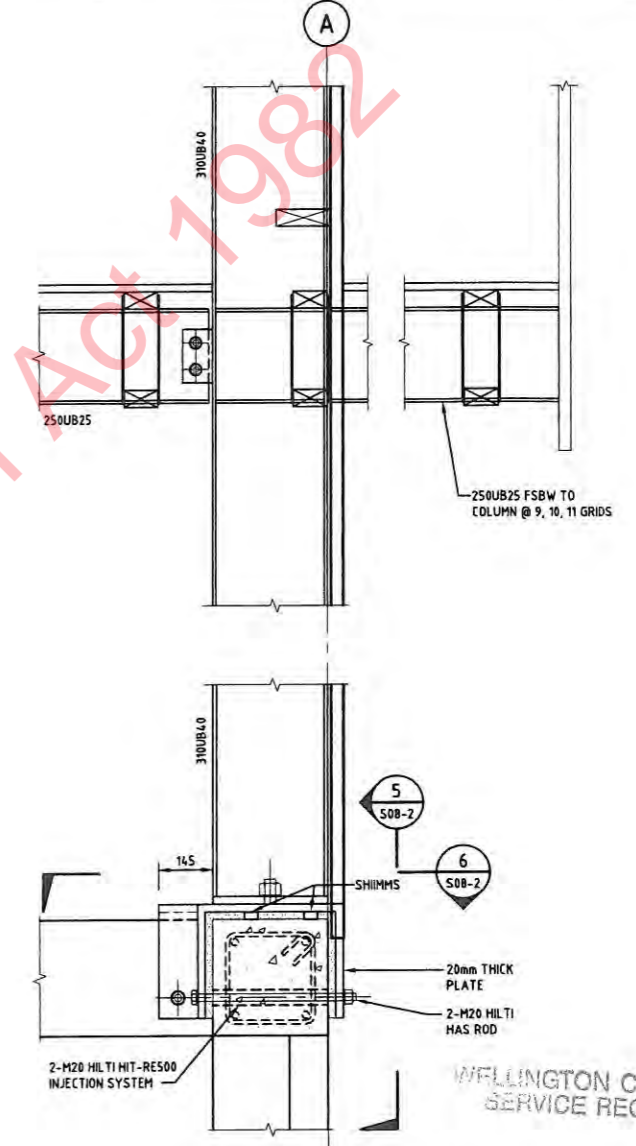
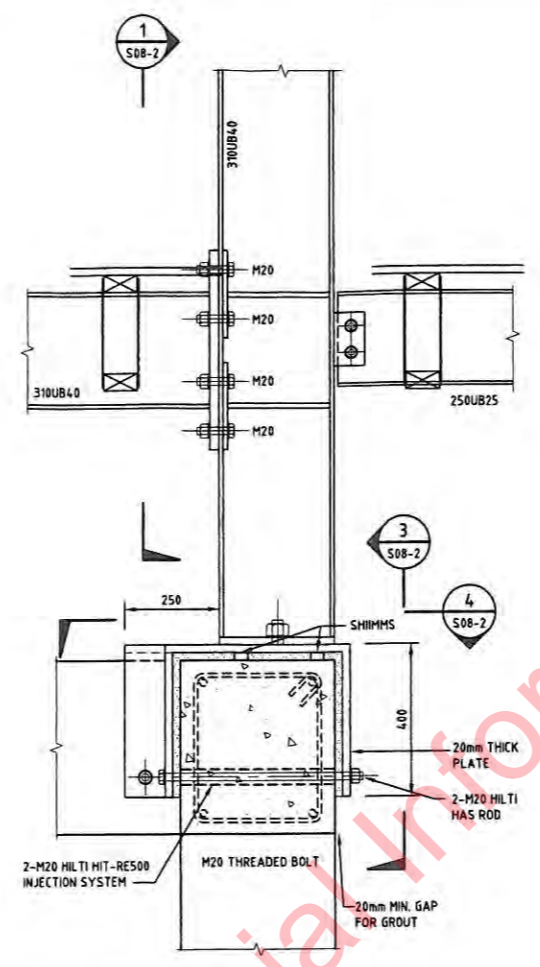
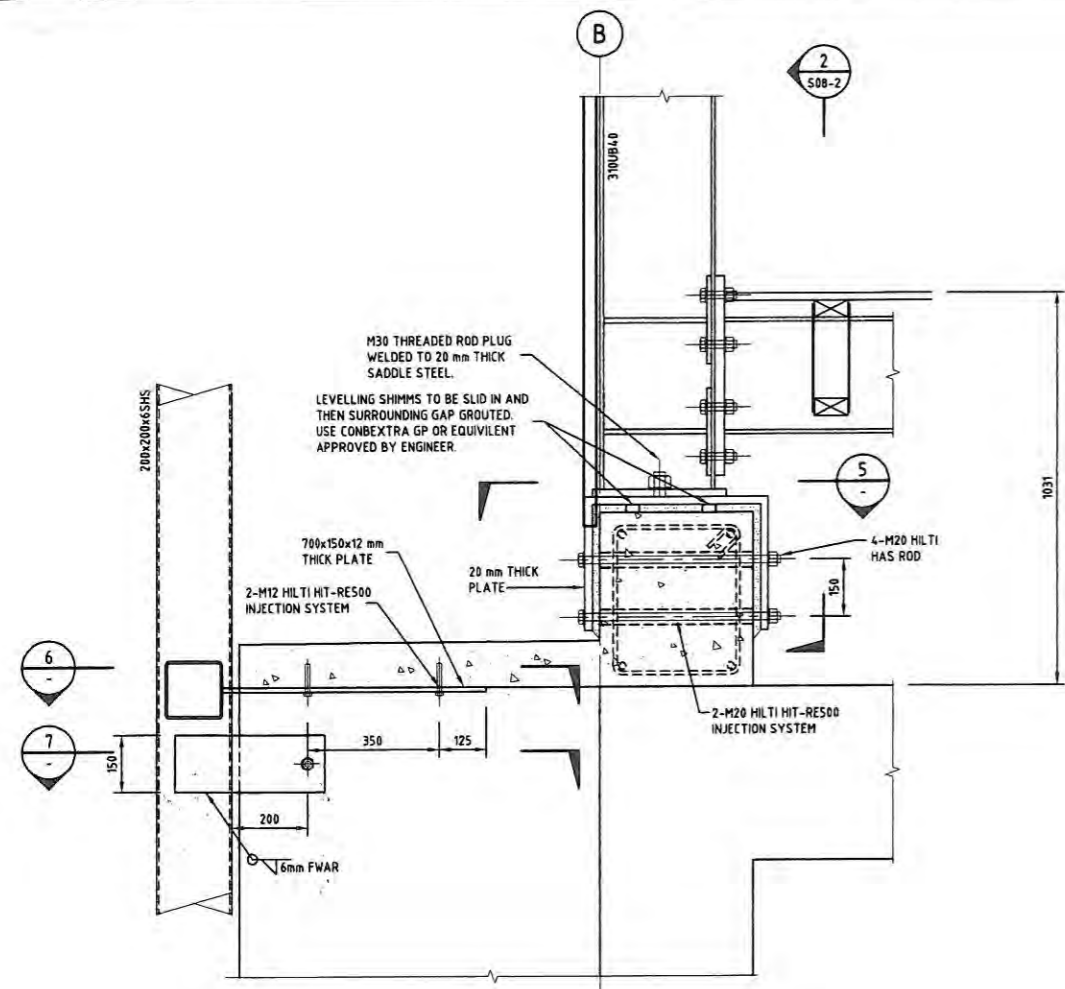
Drawn	Signed	Date
ABM		05.08.05
Designed	Signed	Date
TW		05.08.05
Verified	Signed	Date
CJM		10.08.05
Approved	Signed	Date
MM		10.08.05

Drawing Title:	CROSS SECTIONS SHEET THREE
----------------	----------------------------

CW Project No.	7970 12
Scale	1:50 (@ A1) 1:100 (@ A3)
Drawing No.	S 06
Rev.	A

AMENDMENT A NOT ISSUED YET!!! 16/02/12

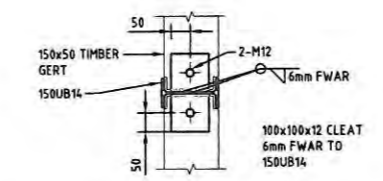
C:\p\proj\251672\251672_01.dwg 16/02/12 10:30 AM



DETAIL C SCALE 1:10 S04

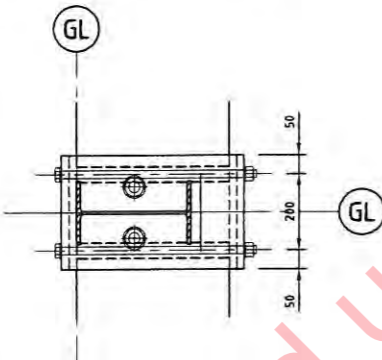
NOTE: ON GRID LINE 10 THE END PLATE CONNECTION OF THE BEAM IS TO BE REPLACED WITH A FULL STRENGTH BUTT WELD, MADE ON SITE.

DETAIL D SCALE 1:10 S04

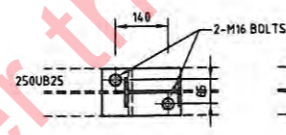


SECTION 12 SCALE 1:10

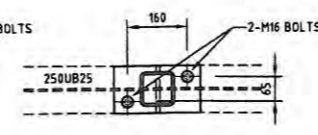
BRACED FRAME CONNECTION TO EXISTING APRON (TYPE 1) SECTION 6 SCALE 1:10



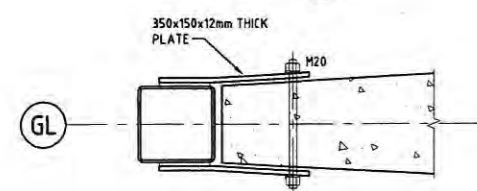
SECTION 5 SCALE 1:10



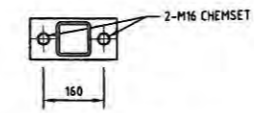
SECTION 8 SCALE 1:10



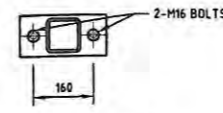
SECTION 9 SCALE 1:10



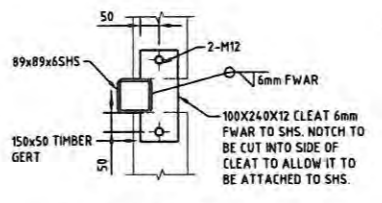
BRACED FRAME CONNECTION TO EXISTING CONC. PIER (TYPE 2) SECTION 7 SCALE 1:10



SECTION 11 SCALE 1:10



SECTION 10 SCALE 1:10



SECTION 13 SCALE 1:10

DETAIL E SCALE 1:10 S04

DETAIL F SCALE 1:10 S04

WELLINGTON CITY COUNCIL SERVICE REQUEST NO.

251672

APPROVED BUILDING CONSENT DOCUMENTS

WELLINGTON CITY COUNCIL
BCLS
22 MAR 2012
RECEIVED
WAKEFIELD ST. WELLINGTON

- NOTES:
- CONTRACTOR SHALL AVOID DAMAGING ANY EXISTING REINFORCING WHEN DRILLING. METAL DETECTOR MAY BE REQUIRED TO LOCATE EXISTING REINFORCING.
 - THE DIMENSIONS OF THE SADDL SHALL BE BASED ON SITE MEASUREMENTS TAKEN PRIOR TO WORK COMMENCING.
 - THE SADDLE STEEL SHALL BE PROPERLY SEALED BEFORE GROUTING.

CONSTRUCTION

Rev.	Date	Revision Details	By	Ver.	App.
A	29.11.05	ISSUE FOR CONSTRUCTION	TW		
3	05.09.05	RE-ISSUE FOR CONSENT/RENDER	TW		
2	10.08.05	FOR CONSENT/TENDER	TW		
1	05.08.05	PRELIMINARY	ABM		

Connell Mott MacDonald
...building the future

Connell Mott MacDonald Limited
Lumley House, 3 Hunter Street (PO Box 1599)
Wellington New Zealand
Telephone: +64 4 472 9589
Facsimile: +64 4 472 9522
Email: cmw@connellmottmacdonald.com

A person using Connell Mott MacDonald drawings and other data accepts the risk of:
1. using the drawings and other data in electronic form without requesting and checking them for accuracy against the original hard copy versions.
2. using the drawings or other data for any purpose not agreed to in writing by Connell Mott MacDonald.

Client: WELLINGTON EAST GIRLS COLLEGE

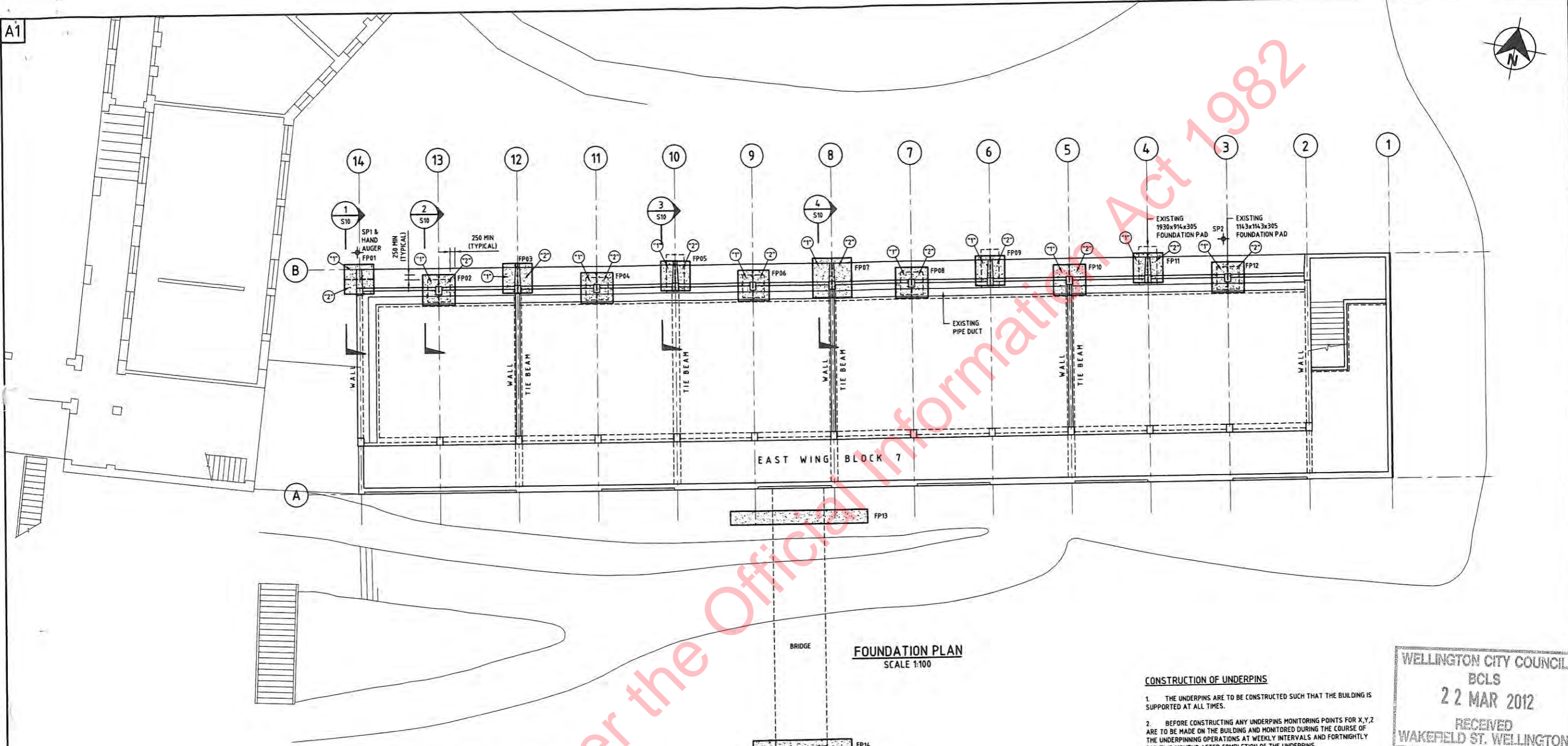
Project: EXTENSION TO EAST WING BLOCK 7

Drawn	Signed	Date
ABM	Signed	05.08.05
Designed	Signed	Date
TW	Signed	05.08.05
Verified	Signed	Date
CJM	Signed	10.08.05
Approved	Signed	Date
MM	Signed	10.08.05

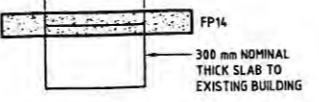
Drawing Title: DETAILS SHEET TWO

CW Project No.	Scale	Drawing No.	Rev.
7970 12	1:10 (@ A1) 1:20 (@ A3)	S 08-1	A

A1



FOUNDATION PLAN
SCALE 1:100



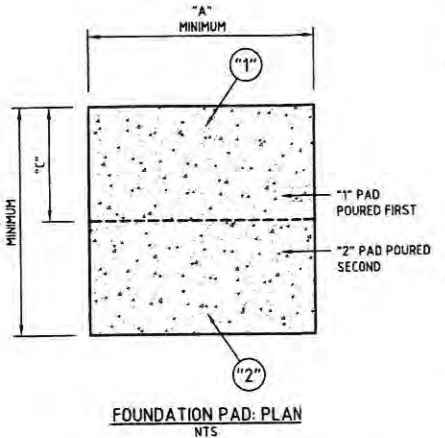
NOTES

1. EACH UNDERPIN IS TO BE EXCAVATED AND POURED IN TWO STAGES DENOTED "1" AND "2"
2. n/a IN SCHEDULE DENOTES FOOTING IS MASS CONCRETE
3. ALL UNDERPINNING FOOTINGS f'c = 20 MPa
4. FOUNDING LEVEL OF ALL UNDERPINS TO BE APPROVED BY ENGINEER
5. START THE CONSTRUCTION OF FP01

KEY

◆ APPROX POSITION OF SCALE PENETROMETER

FOUNDATION SCHEDULE					
PAD No	"A"	"B"	"C"	FOUNDATION DEPTH (MIN)	REINFORCEMENT
FP01	1650	1650	825	600	RB20 - 300 CENTRES
FP02	1650	1650	825	600	n/a
FP03	1650	1650	825	600	RB20-300 CENTRES
FP04	1650	1650	825	600	n/a
FP05	1650	1650	825	600	n/a
FP06	1650	1650	825	600	n/a
FP07	2000	2000	1000	700	RB20-300 CENTRES
FP08	1650	1650	825	600	n/a
FP09	1650	1650	825	600	n/a
FP10	1650	1650	826	600	RB20-300 CENTRES
FP11	1650	1650	825	600	n/a
FP12	1650	1650	825	600	n/a
FP13	7000	700	-	600	4-H16 T&B, R12 STPS-300 CRS.
FP14	5000	600	-	600	4-H16 T&B, R12 STPS-300 CRS.



CONSTRUCTION OF UNDERPINS

1. THE UNDERPINS ARE TO BE CONSTRUCTED SUCH THAT THE BUILDING IS SUPPORTED AT ALL TIMES.
2. BEFORE CONSTRUCTING ANY UNDERPINS MONITORING POINTS FOR X,Y,Z ARE TO BE MADE ON THE BUILDING AND MONITORED DURING THE COURSE OF THE UNDERPINNING OPERATIONS AT WEEKLY INTERVALS AND FORTNIGHTLY FOR TWO MONTHS AFTER COMPLETION OF THE UNDERPINS.
3. THE UNDERPIN AT EACH LOCATION IS TO BE CONSTRUCTED IN TWO STAGES, REFER TO THE DRAWINGS FOR THE DETAILS.
4. ERECTION OF STRUCTURAL STEEL WORK ON THE UPPER FLOOR AND THE CONSTRUCTION OF THE NEW FLOOR AND ROOF MAY PROCEED WHILE THE UNDERPINS ARE BEING CONSTRUCTED.
5. THE INTERNAL PARTITIONS OR THE LOADING IN OR MATERIALS MAY NOT COMMENCE ABOVE ANY AREA WHERE THE UNDERPIN HAS NOT BEEN COMPLETED. THIS INCLUDES THE FIRE RATING OF THE CEILING OF THE EXISTING SECOND FLOOR.
6. CONCRETE STRENGTH TO REACH 17 MPa PRIOR TO STARTING THE EXCAVATION FOR THE SECOND SEQUENCE OF THE INDIVIDUAL UNDERPINS.
7. THE CONTRACTOR IS TO FORWARD A PROPOSED METHODOLOGY, PROGRAM SEQUENCE OF UNDERPINS PRIOR TO COMMENCEMENT ON SITE.
8. THE UNDERPIN AREA AND ADJACENT ROADWAY TO BE KEPT TO A REASONABLE LEVEL OF CLEANLINESS.

WELLINGTON CITY COUNCIL
BCLS
22 MAR 2012
RECEIVED
WAKEFIELD ST. WELLINGTON

WELLINGTON CITY COUNCIL
SERVICE REQUEST NO. # 251672 #
APPROVED BUILDING
CONSENT DOCUMENTS

CONSTRUCTION

Rev.	Date	Revision Details	By	Ver.	App.
1	05.08.05	PRELIMINARY	ABM		
2	10.08.05	FOR CONSENT/TENDER	TW		
3	05.09.05	RE-ISSUE FOR CONSENT/RENDER	TW		
A	29.11.05	ISSUE FOR CONSTRUCTION	TW		

Connell Mott MacDonald
...building the future
Connell Wagner Limited
Lumley House, 3 Hunter Street (PO Box 1591)
Wellington New Zealand
Telephone: +64 4 472 9589
Facsimile: +64 4 472 9922
Email: connel@connwag.com

Client: WELLINGTON EAST GIRLS COLLEGE

Project: EXTENSION TO EAST WING BLOCK 7

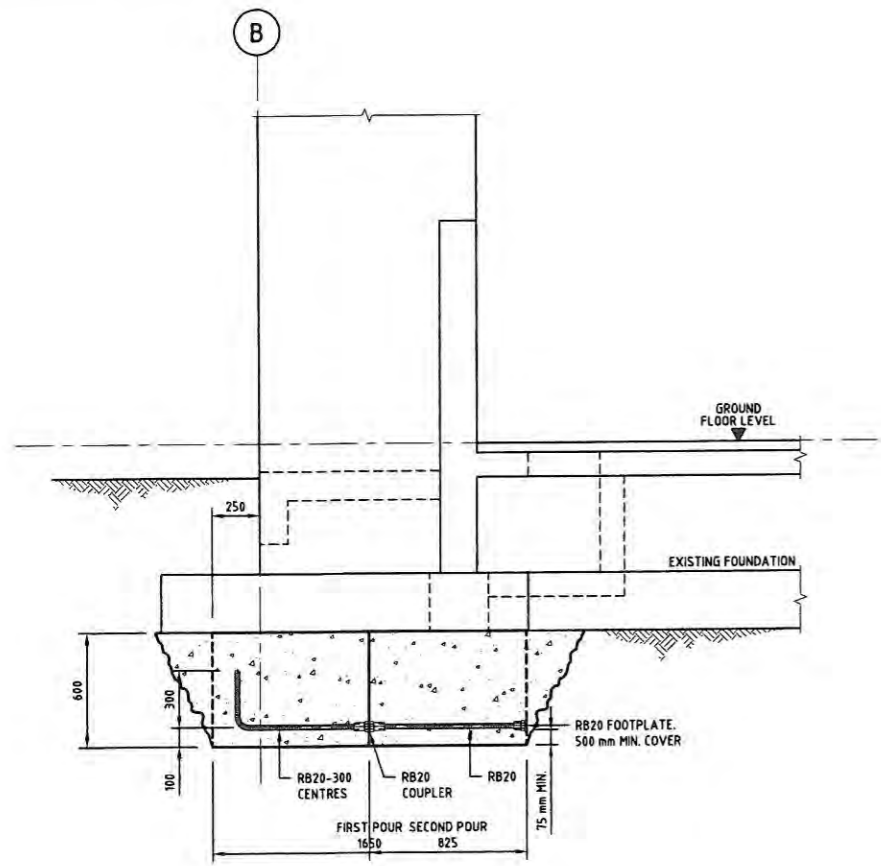
Drawn	Signed	Date
ABM		05.08.05
Designed	Signed	Date
TW		05.08.05
Verified	Signed	Date
CJM		10.08.05
Approved	Signed	Date
MM		10.08.05

Drawing Title: FOUNDATION STRENGTHENING PLAN

CW Project No.	
7970 12	
Scale	
1:100 (@ A1) 1:200 (@ A3)	
Drawing No.	Rev.
S 09	A

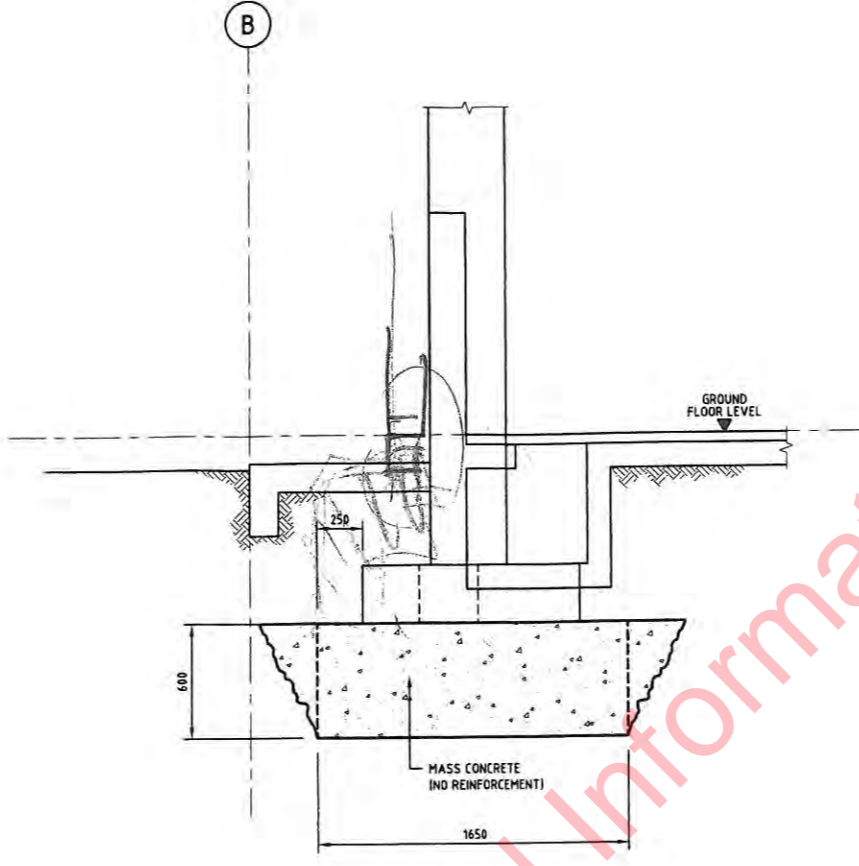
DWG FILE: C:\CLIENTS\WELLINGTON CITY COUNCIL\BCLS\2012\251672\251672_01.dwg Plot Date: 16/02/12 16:16:45 Rev: 16/02/12 16:16:45

A1



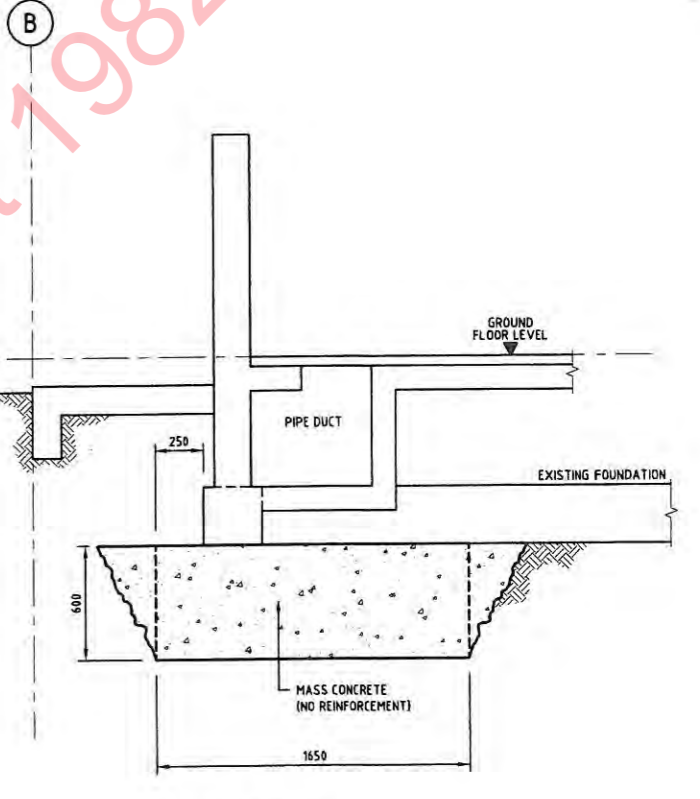
FOUNDATION PAD FP01

SECTION 1
SCALE 1:20 S09



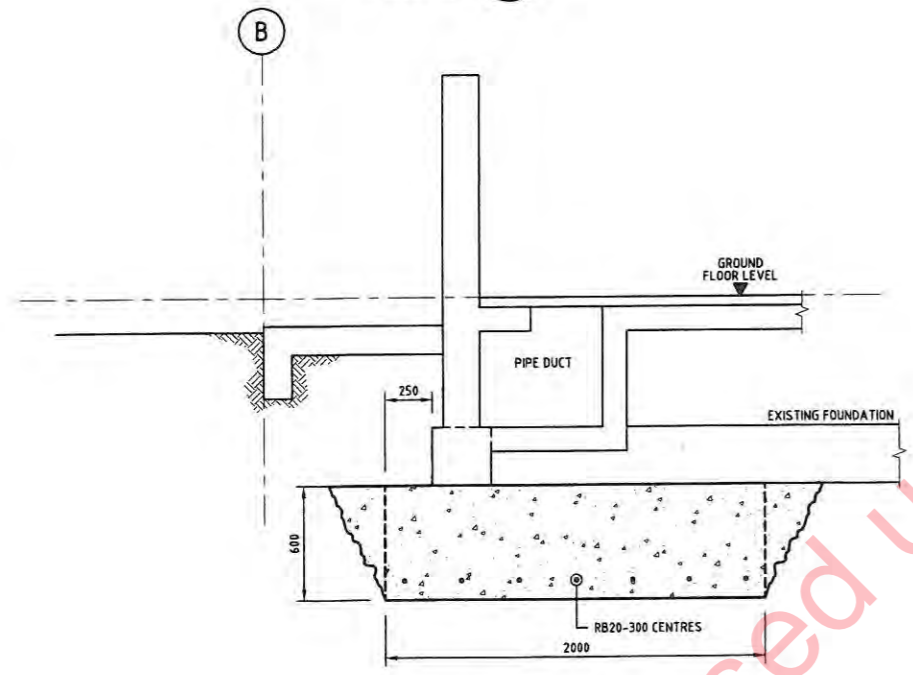
FOUNDATION PAD FP02

SECTION 2
SCALE 1:20 S09



FOUNDATION PAD FP05

SECTION 3
SCALE 1:20 S09



FOUNDATION PAD FP07

SECTION 4
SCALE 1:20 S09

WELLINGTON CITY COUNCIL
SERVICE REQUEST NO.

251672

APPROVED BUILDING
CONSENT DOCUMENTS

WELLINGTON CITY COUNCIL
BCLS
22 MAR 2012
RECEIVED
WAKEFIELD ST. WELLINGTON

CONSTRUCTION

Rev.	Date	Revision Details	By	Ver.	App.
A	29.11.05	ISSUE FOR CONSTRUCTION	TW		
3	05.09.05	RE-ISSUE FOR CONSENT/READER	TW		
2	10.08.05	FOR CONSENT/TENDER	TW		
1	05.08.05	PRELIMINARY	ABM		

Connell Mott MacDonald
...building the future

Connell Mott MacDonald Limited
Lumley House, 3 Hunter Street (PO Box 1581)
Wellington New Zealand
Telephone: +64 4 472 9589
Facsimile: +64 4 472 9922
Email: cm-m@connellmott.com

A person using Connell Mott MacDonald drawings and other data accepts the risk of:
1. using the drawings and other data in electronic form without requesting and checking them for accuracy against the original hard copy versions.
2. using the drawings or other data for any purpose not agreed to in writing by Connell Mott MacDonald.

Client: WELLINGTON EAST GIRLS COLLEGE

Project: EXTENSION TO EAST WING BLOCK 7

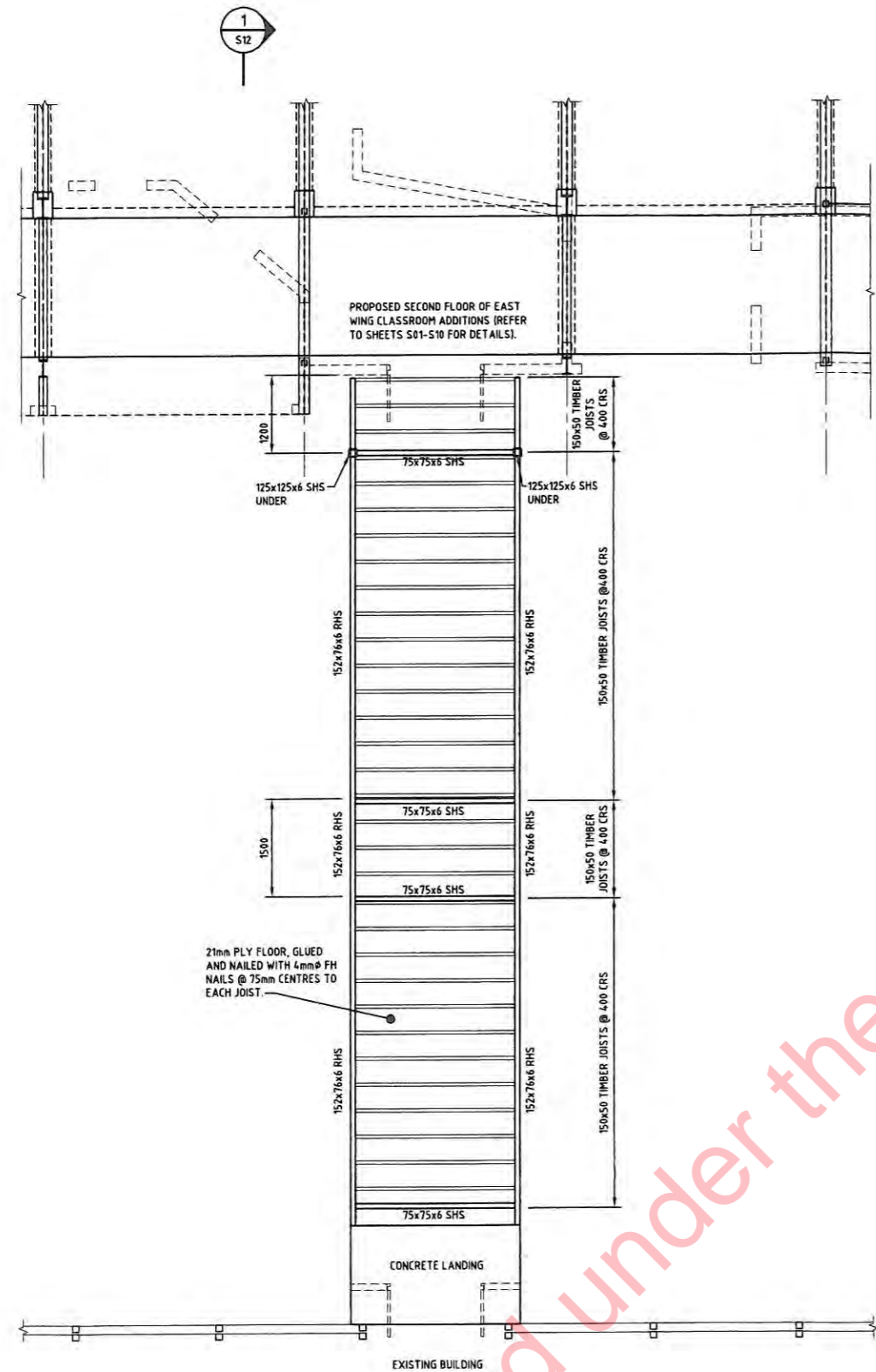
Drawn	Signed	Date
ABM	Signed	05.08.05
Designed	Signed	Date
TW	Signed	05.08.05
Verified	Signed	Date
CJM	Signed	10.08.05
Approved	Signed	Date
MM	Signed	10.08.05

Drawing Title: FOUNDATION STRENGTHENING DETAILS

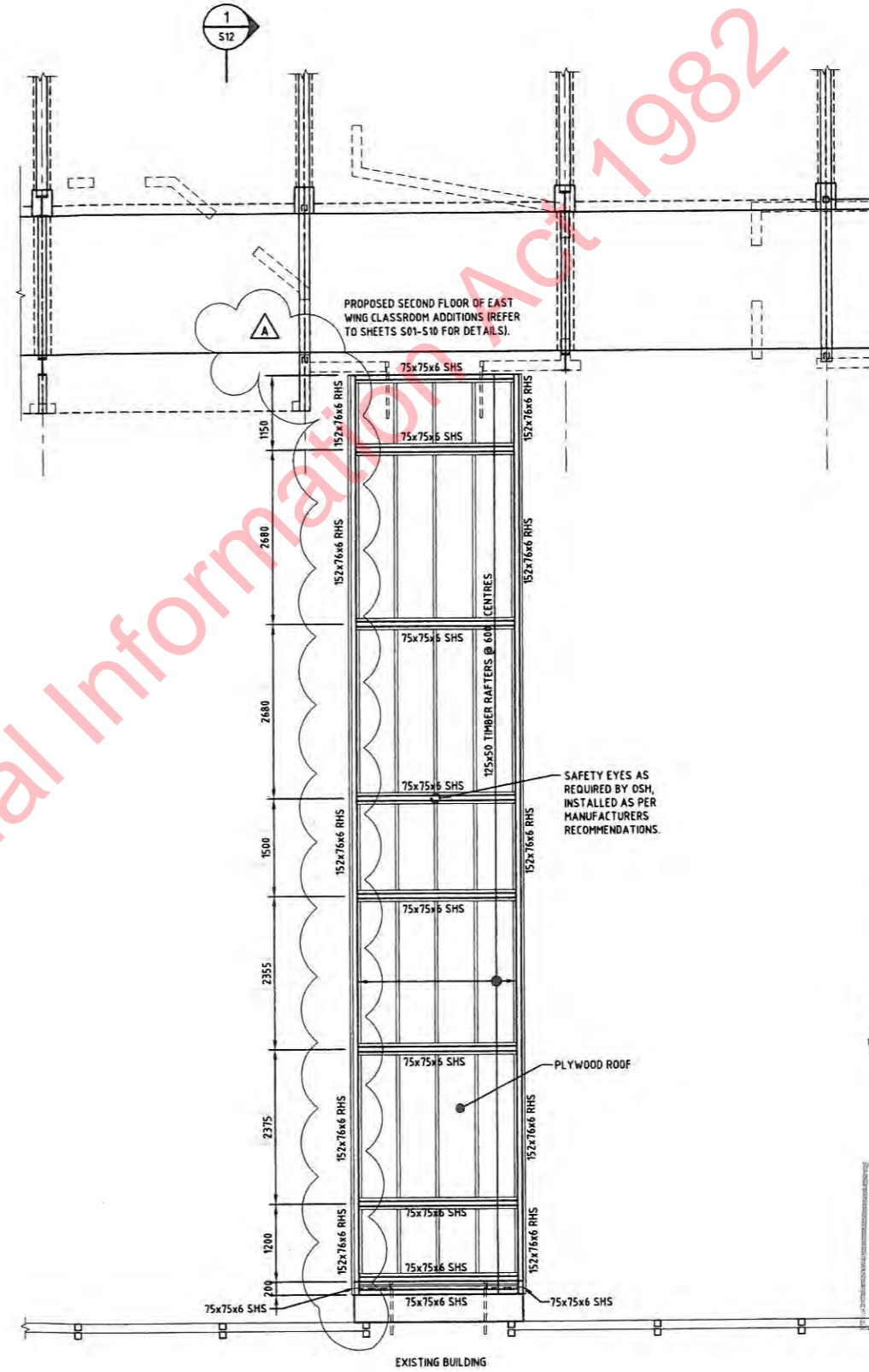
CW Project No.	7970 12
Scale	1:20 (@ A1) 1:40 (@ A3)
Drawing No.	S 10
Rev.	A

Released under the Official Information Act 1982

DATE: 05/08/05 10:00 AM FILE: H:\PROJECTS\CONSENTS\7970-12\A1\CONSTRUCTION\A1-01.DWG



**BRIDGE PLAN
FLOOR**
SCALE 1:50



**BRIDGE PLAN
ROOF**
SCALE 1:50

WELLINGTON CITY COUNCIL
SERVICE REQUEST NO.
251672 #
APPROVED BUILDING
CONSENT DOCUMENTS

WELLINGTON CITY COUNCIL
BCLS
22 MAR 2012
RECEIVED
WAKEFIELD ST. WELLINGTON

CONSTRUCTION

Rev.	Date	Revision Details	By	Ver.	App.
A	29.11.05	ISSUE FOR CONSTRUCTION	TW		
3	05.09.05	RE-ISSUE FOR TENDER	TW		
2	10.08.05	FOR CONSENT/TENDER	TW		
1	05.08.05	PRELIMINARY	TW		

Connell Mott MacDonald
...building the future
Connell Wagner Limited Telephone: +64 4 472 9589
Lumley House, 3 Hunter Street (PO Box 1591) Facsimile: +64 4 472 9922
Wellington New Zealand Email: cmmw@connwag.com

A person using Connell Mott MacDonald drawings and other data accepts the risk of:
1. using the drawings and other data in electronic form without requesting and checking them for accuracy against the original hard copy versions.
2. using the drawings or other data for any purpose not agreed to in writing by Connell Mott MacDonald.

Client: WELLINGTON EAST GIRLS COLLEGE

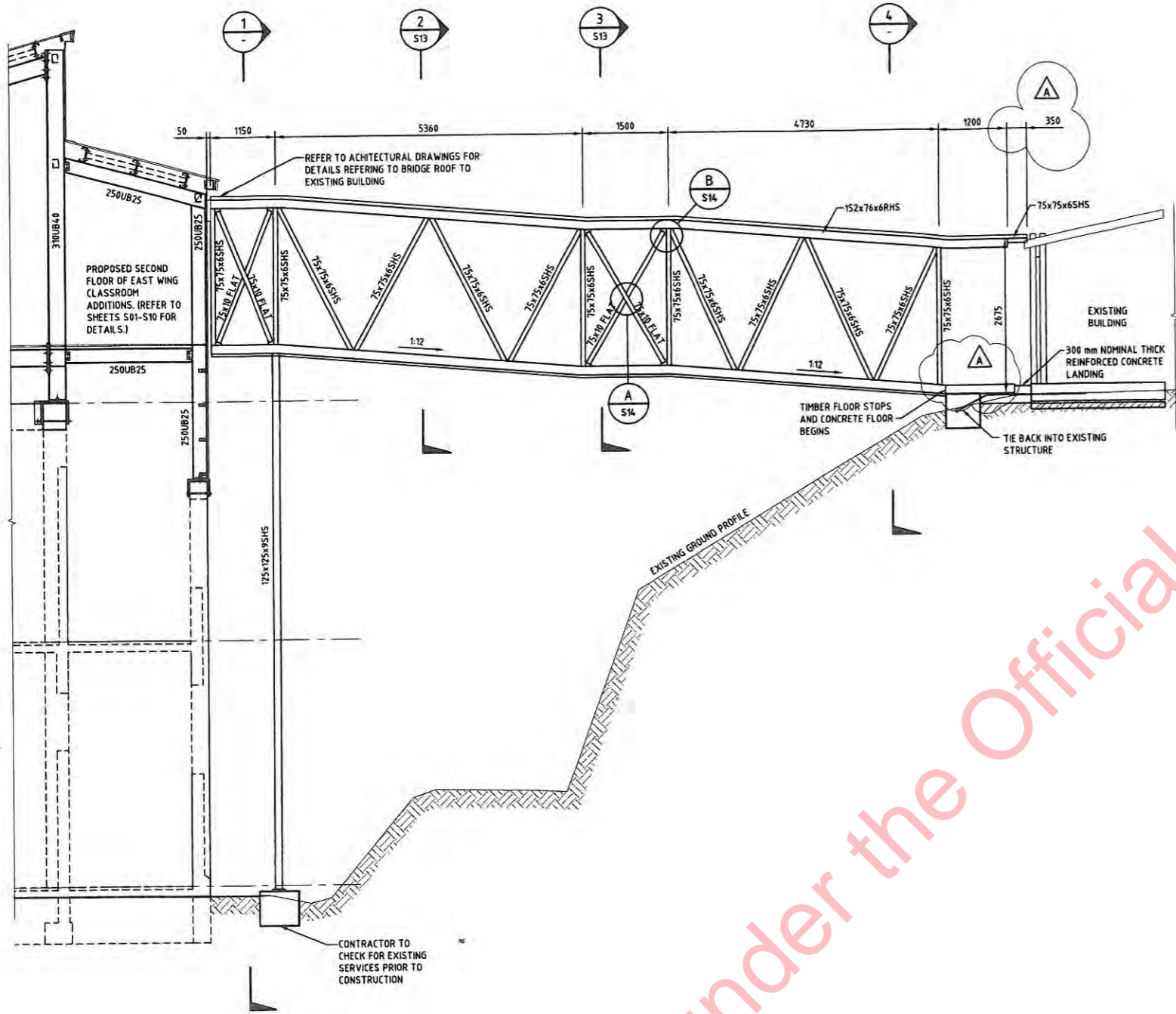
Project: EXTENSION TO EAST WING BLOCK 7

Drawn	Signed	Date
CM	Signed	10-08-05
Designed	Signed	Date
TW	Signed	10-08-05
Verified	Signed	Date
CJM	Signed	10-08-05
Approved	Signed	Date
MM	Signed	10-08-05

Drawing Title: BRIDGE PLANS

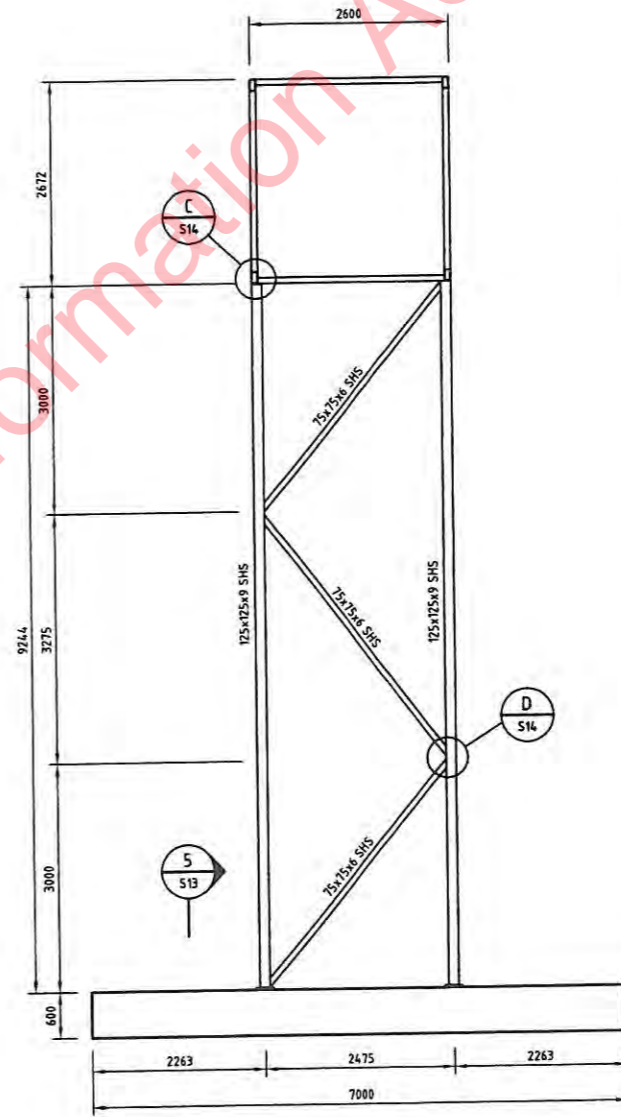
CW Project No.	7970 12
Scale	1:50 (@ A1) 1:100 (@ A3)
Drawing No.	S 11
Rev.	A

Released under the Official Information Act 1982

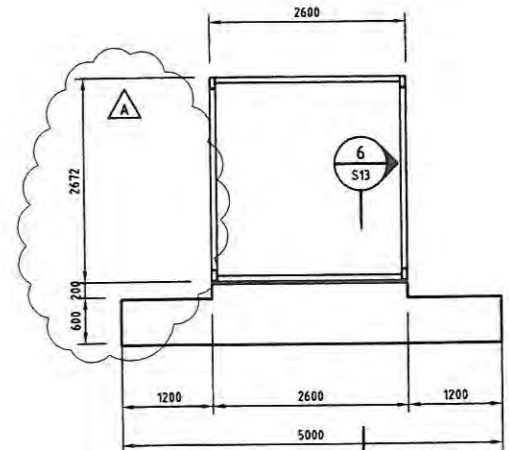


ELEVATION

SECTION 1
SCALE 1:50



SECTION 1
SCALE 1:50



SECTION 4
SCALE 1:50

WELLINGTON CITY COUNCIL
BCLS
22 MAR 2012
RECEIVED
WAKEFIELD ST. WELLINGTON

WELLINGTON CITY COUNCIL
SERVICE REQUEST No.

251872

APPROVED BUILDING
CONSENT DOCUMENTS

CONSTRUCTION

Rev.	Date	Revision Details	By	Ver.	App.
A	29.11.05	ISSUE FOR CONSTRUCTION	TW		
3	05.09.05	RE-ISSUE FOR CONSENT/TENDER	TW		
2	10.08.05	FOR CONSENT/TENDER	TW		
1	05.08.05	PRELIMINARY	TW		

Connell Mott MacDonald
...building the future

Connell Wagner Limited
Lumley House, 3 Hunter Street (PO Box 1591)
Wellington New Zealand
Telephone: +64 4 472 9589
Facsimile: +64 4 472 9922
Email: cwml@connm.com

A person using Connell Wagner drawings and other data accepts the risk of:
1. using the drawings and other data in electronic form without requesting and checking them for accuracy against the original hard copy version;
2. using the drawings or other data for any purpose not agreed to in writing by Connell Wagner.

Client: WELLINGTON EAST GIRLS COLLEGE

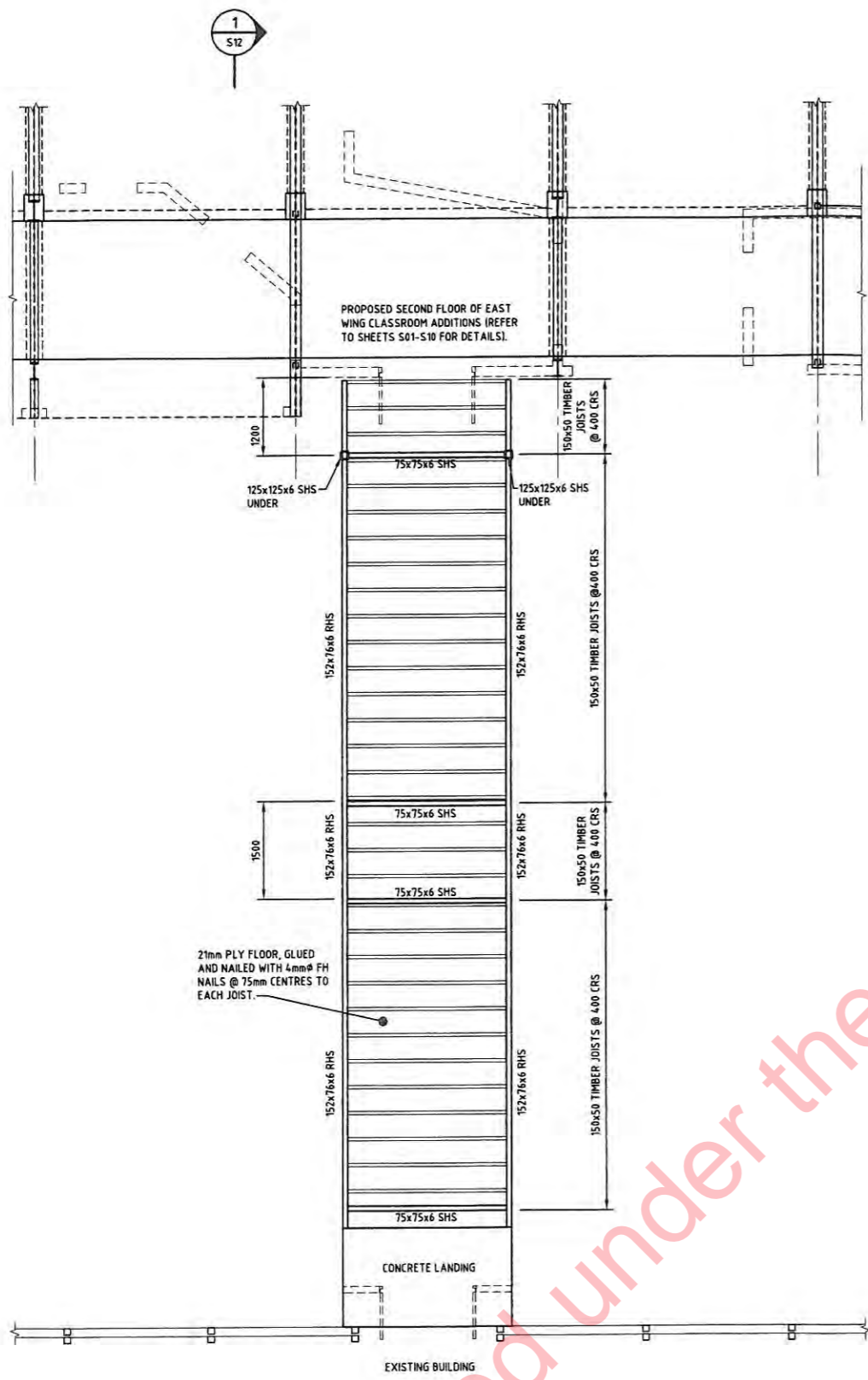
Project: EXTENSION TO EAST WING BLOCK 7

Drawn	Signed	Date
CM		10-08-05
Designed	Signed	Date
TW		10-08-05
Verified	Signed	Date
CJM		10-08-05
Approved	Signed	Date
MM		10-08-05

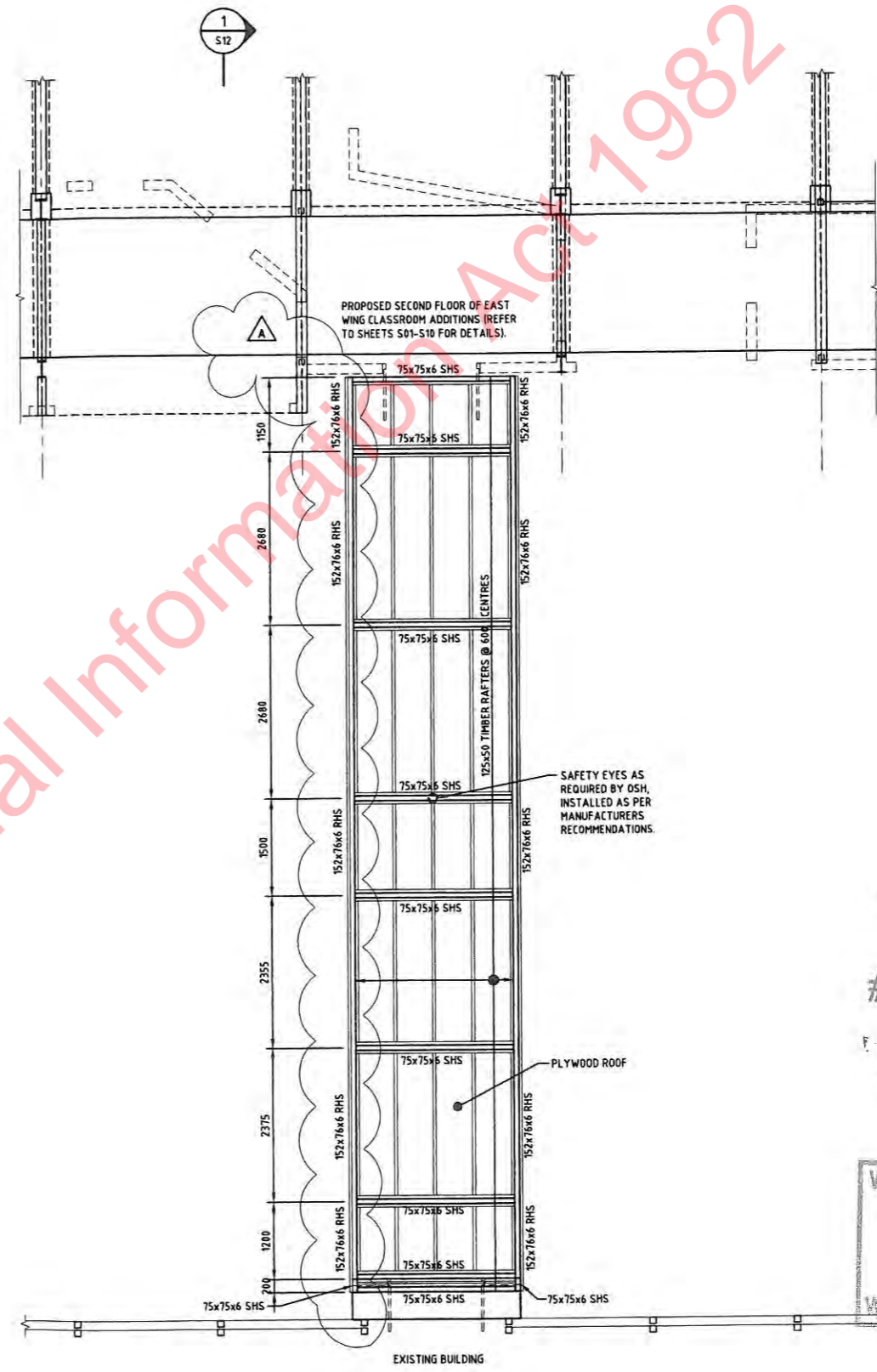
Drawing Title: BRIDGE SECTIONS & ELEVATIONS

CW Project No.	7970 12
Scale	1:50 (@ A1) 1:100 (@ A3)
Drawing No.	S 12
Rev.	A

Released under the Official Information Act 1982



**BRIDGE PLAN
FLOOR
SCALE 1:50**



**BRIDGE PLAN
ROOF
SCALE 1:50**

WELLINGTON CITY COUNCIL
SERVICE REQUEST No.
251672
APPROVED BUILDING
CONSENT DOCUMENTS

WELLINGTON CITY COUNCIL
BCLS
22 MAR 2012
RECEIVED
WAKEFIELD ST. WELLINGTON

CONSTRUCTION

Rev.	Date	Revision Details	By	Ver.	App.
A	29.11.05	ISSUE FOR CONSTRUCTION	TW		
3	05.09.05	RE-ISSUE FOR TENDER	TW		
2	10.08.05	FOR CONSENT/TENDER	TW		
1	05.08.05	PRELIMINARY	TW		

Connell Mott MacDonald
... building the future

Connell Wagner Limited
Lumley House, 3 Hunter Street (PO Box 1591)
Wellington New Zealand
Telephone: +64 4 472 9589
Facsimile: +64 4 472 9922
Email: cwmw@comwag.com

A person using Connell Mott MacDonald drawings and other data accepts the risk of:
1. using the drawings and other data in electronic form without requesting and checking them for accuracy against the original hard copy versions;
2. using the drawings or other data for any purpose not agreed to in writing by Connell Mott MacDonald.

Client:
**WELLINGTON EAST
GIRLS COLLEGE**

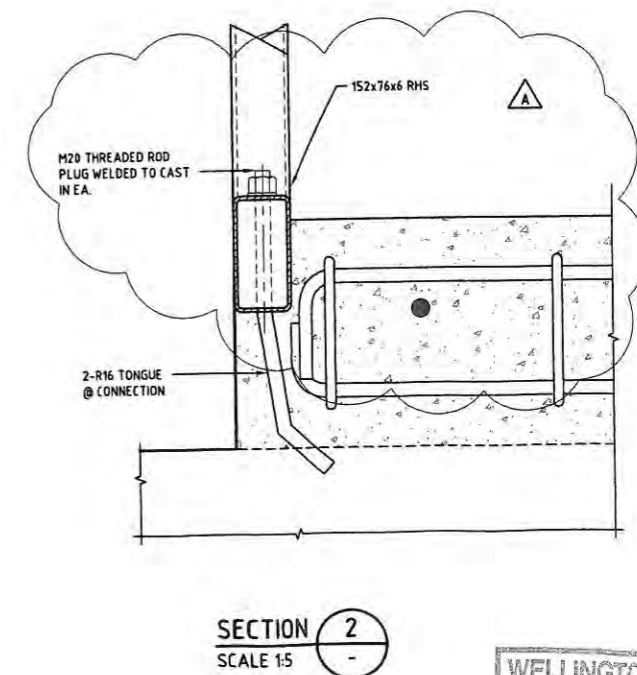
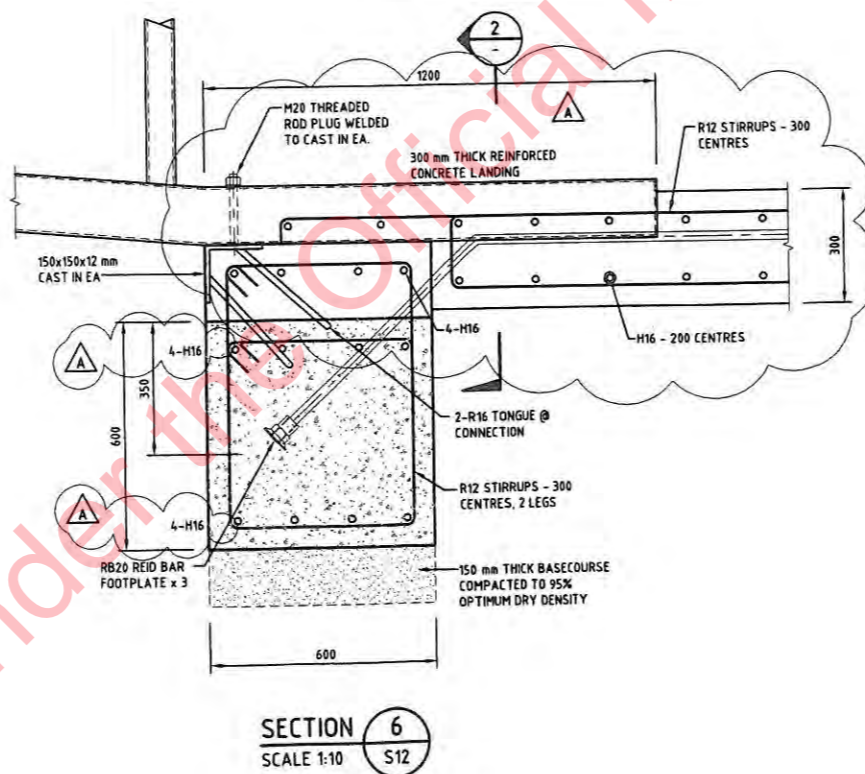
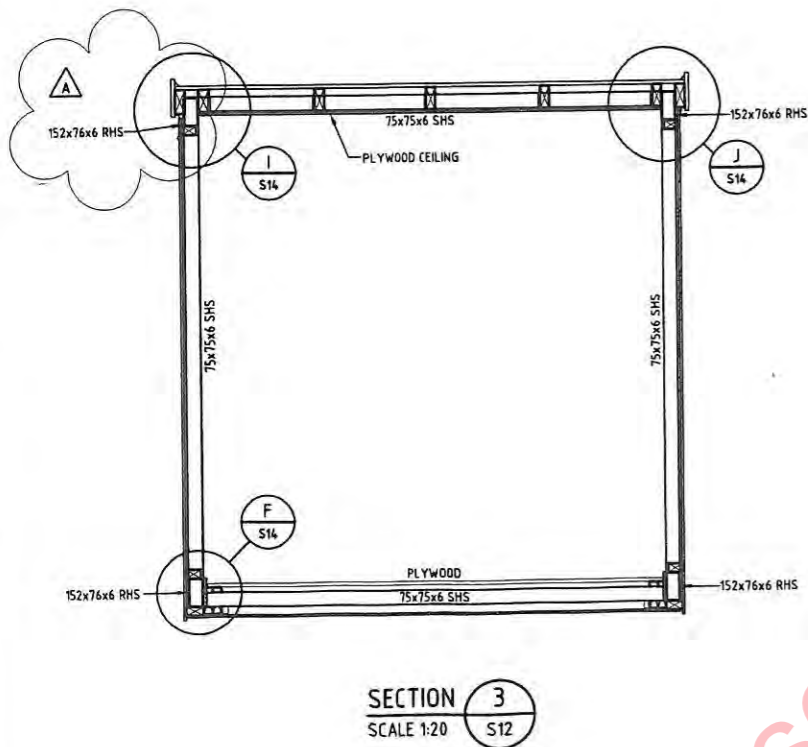
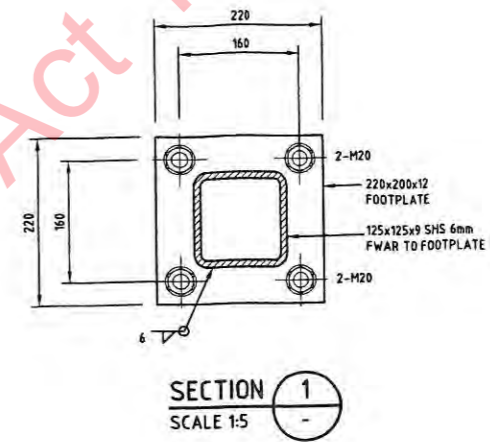
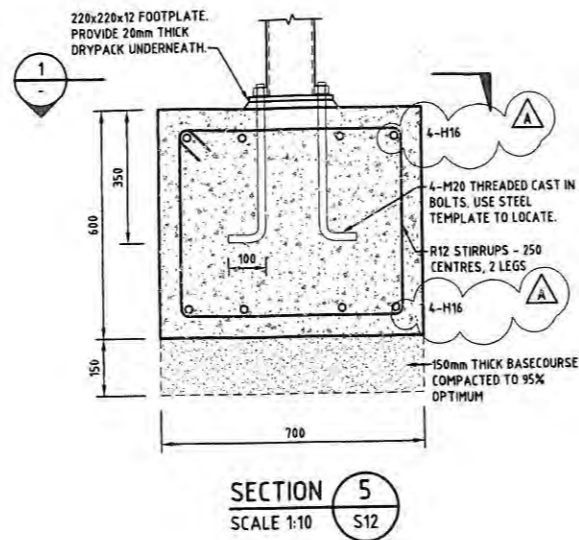
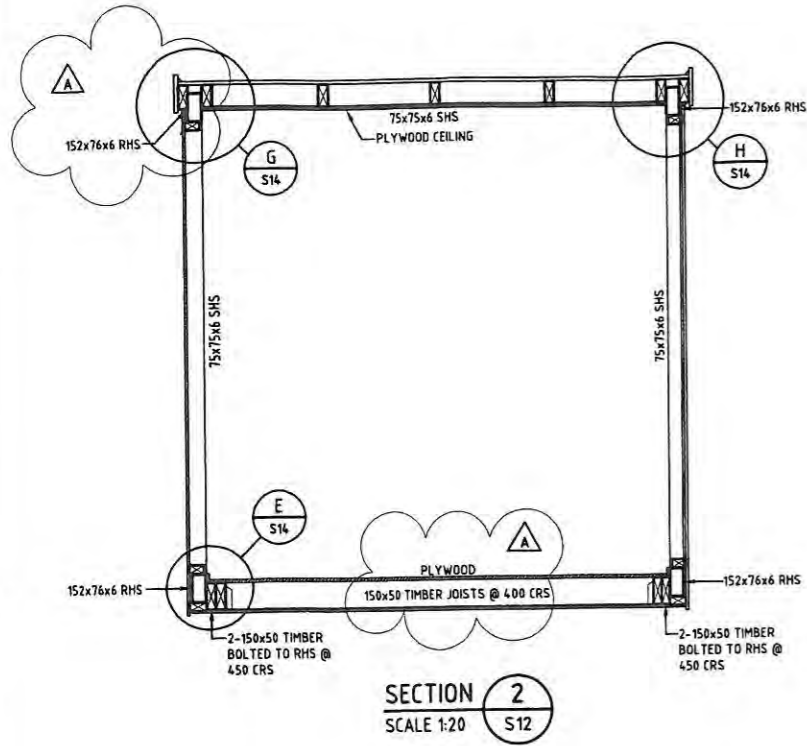
Project:
**EXTENSION TO
EAST WING BLOCK 7**

Drawn	Signed	Date
CM		10-08-05
Designed	Signed	Date
TW		10-08-05
Verified	Signed	Date
CJM		10-08-05
Approved	Signed	Date
MM		10-08-05

Drawing Title:
BRIDGE PLANS

CW Project No.	7970 12
Scale	1:50 (@ A1) 1:100 (@ A3)
Drawing No.	S 11
Rev.	A

A1



WELLINGTON CITY COUNCIL
BCLS
22 MAR 2012
RECEIVED
WAKEFIELD ST. WELLINGTON

WELLINGTON CITY COUNCIL
SERVICE REQUEST No.

251672

APPROVED BUILDING
CONSENT DOCUMENTS

CONSTRUCTION

Rev.	Date	Revision Details	By	Ver.	App.
A	29.11.05	ISSUE FOR CONSTRUCTION	TW		
3	05.09.05	RE-ISSUE FOR TENDER	TW		
2	10.08.05	FOR CONSENT/TENDER	TW		
1	05.08.05	PRELIMINARY	TW		

Connell Mott MacDonald
...building the future
Connell Wagner Limited
Lumley House, 3 Hunter Street (PO Box 1591)
Wellington New Zealand
Telephone: +64 4 472 9589
Facsimile: +64 4 472 9922
Email: owel@connwag.com

Client: WELLINGTON EAST GIRLS COLLEGE

Project: EXTENSION TO EAST WING BLOCK 7

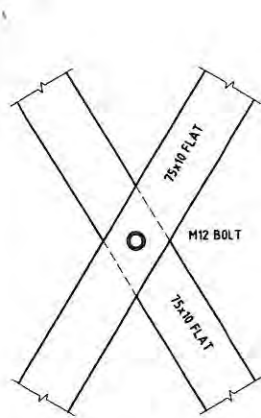
Drawn	Signed	Date
CM	Signed	10-08-05
Designed	Signed	Date
TW	Signed	10-08-05
Verified	Signed	Date
CJM	Signed	10-08-05
Approved	Signed	Date
MM	Signed	10-08-05

Drawing Title: BRIDGE SECTIONS & DETAILS SHEET 1

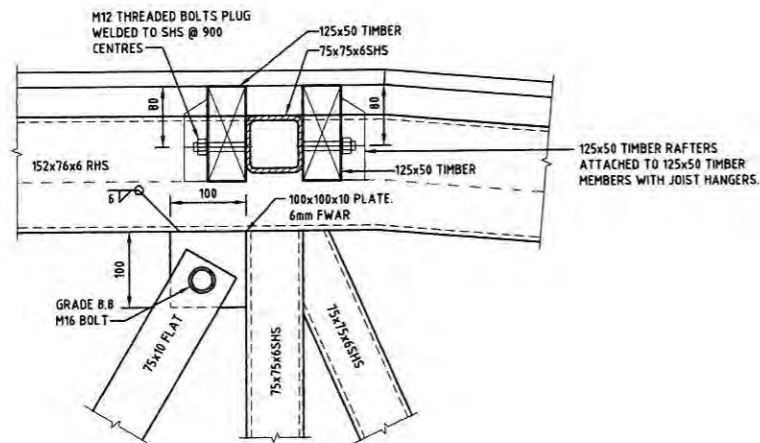
CW Project No.	7970 12
Scale	1:50 1:10 1:5 (@ A1) 1:100 1:20 1:10 (@ A3)
Drawing No.	S 13
Rev.	A

A person using Connell Mott MacDonald drawings and other data accepts the risk of:
1. using the drawings and other data in electronic form without requesting and checking them for accuracy against the original hard copy versions;
2. using the drawings or other data for any purpose not agreed to in writing by Connell Mott MacDonald.

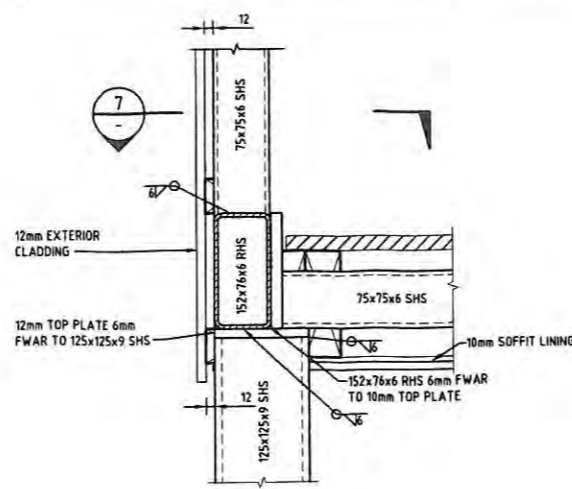
DWG: 10/08/05 16:02:12 16/02/06



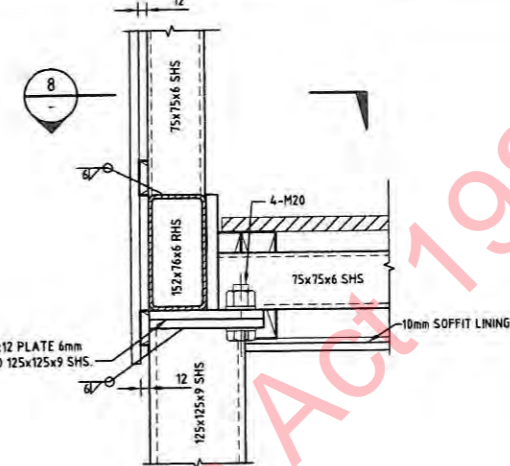
DETAIL A
SCALE 1:5



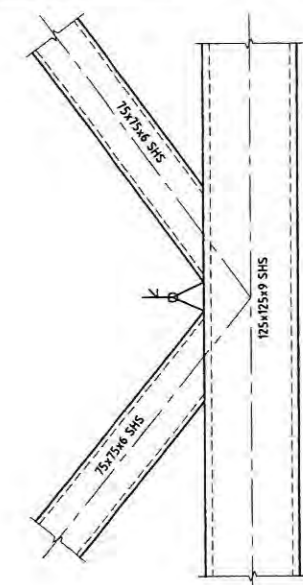
DETAIL B
SCALE 1:5



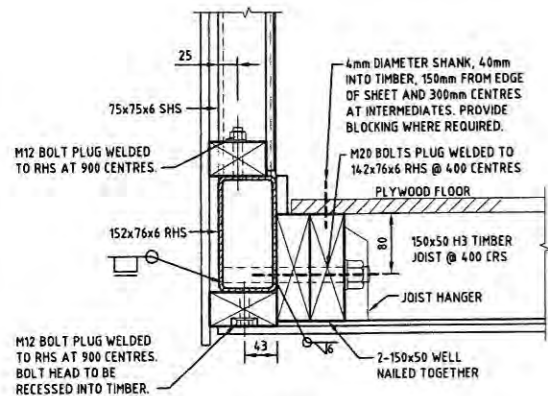
DETAIL C
SCALE 1:5



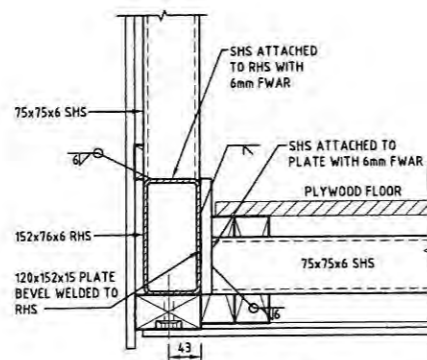
DETAIL C ALTERNATIVE
SCALE 1:5



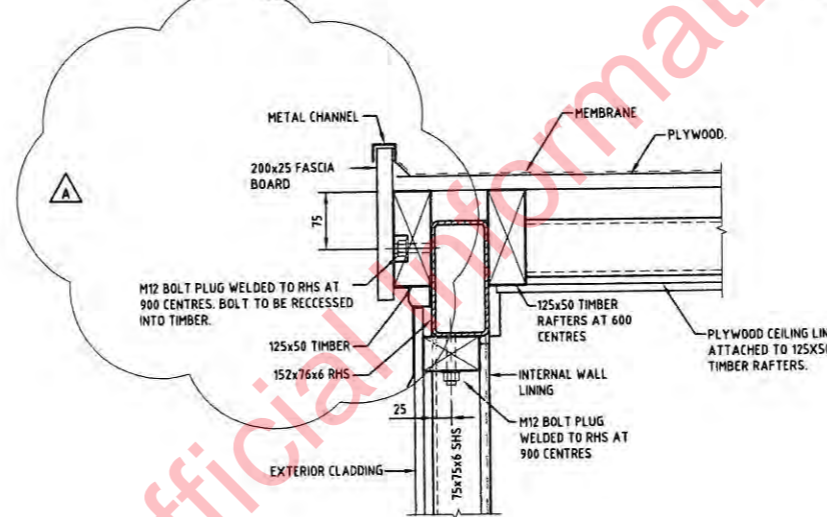
DETAIL D
SCALE 1:5



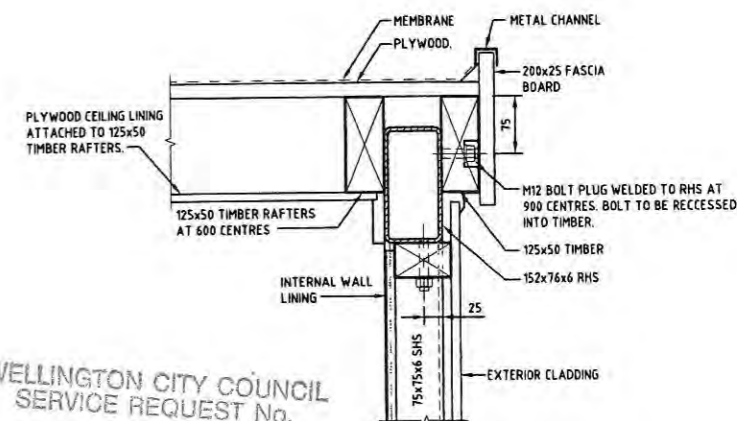
DETAIL E
SCALE 1:5



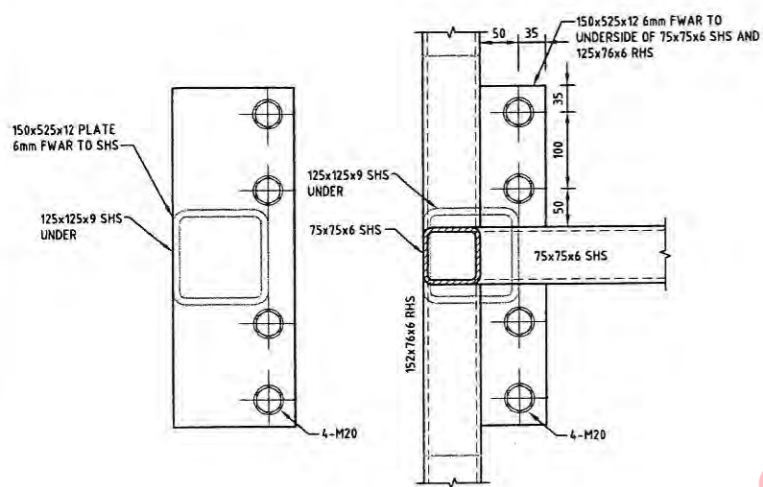
DETAIL F
SCALE 1:5



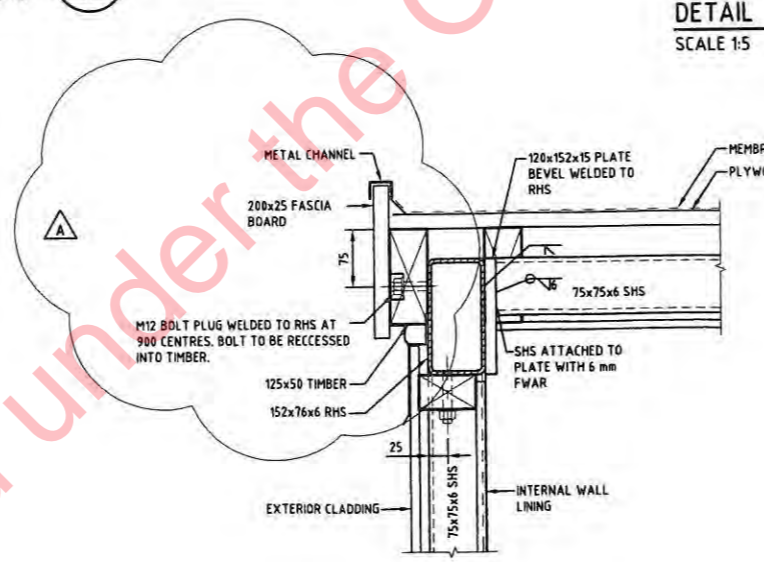
DETAIL G
SCALE 1:5



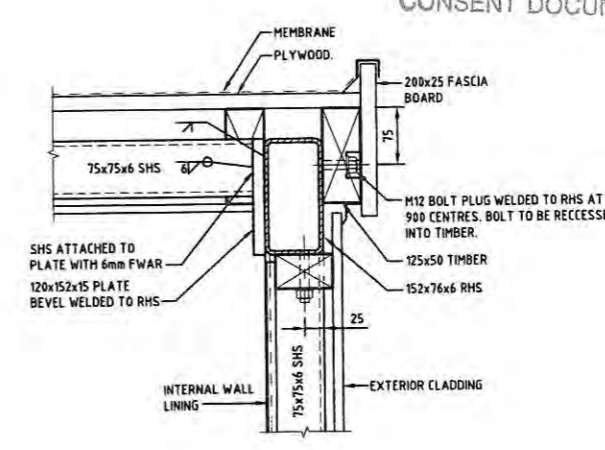
DETAIL H
SCALE 1:5



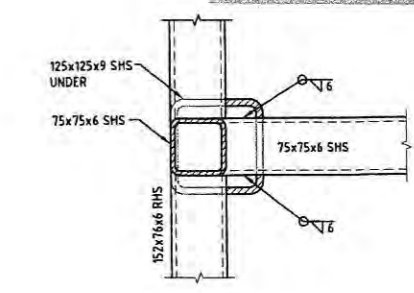
SECTION 8
SCALE 1:5



DETAIL I
SCALE 1:5



DETAIL J
SCALE 1:5



SECTION 7
SCALE 1:5

WELLINGTON CITY COUNCIL
SERVICE REQUEST No.

251672

APPROVED BUILDING
CONSENT DOCUMENTS

WELLINGTON CITY COUNCIL
BCLS
22 MAR 2012
RECEIVED
WAKEFIELD ST. WELLINGTON

CONSTRUCTION

Rev.	Date	Revision Details	By	Ver.	App.
A	29.11.05	ISSUE FOR CONSTRUCTION	TW		
3	05.09.05	RE-ISSUE FOR CONSENT/ISSUED FOR CONSTRUCTION	TW		
2	10.08.05	FOR CONSENT/TENDER	TW		
1	05.08.05	PRELIMINARY	TW		

Connell Mott MacDonald
...building the future
Connell Wagner Limited
Lumley House, 3 Hunter Street (PO Box 1591)
Wellington New Zealand
Telephone: +64 4 472 9589
Facsimile: +64 4 472 9922
Email: cwwel@connwag.com

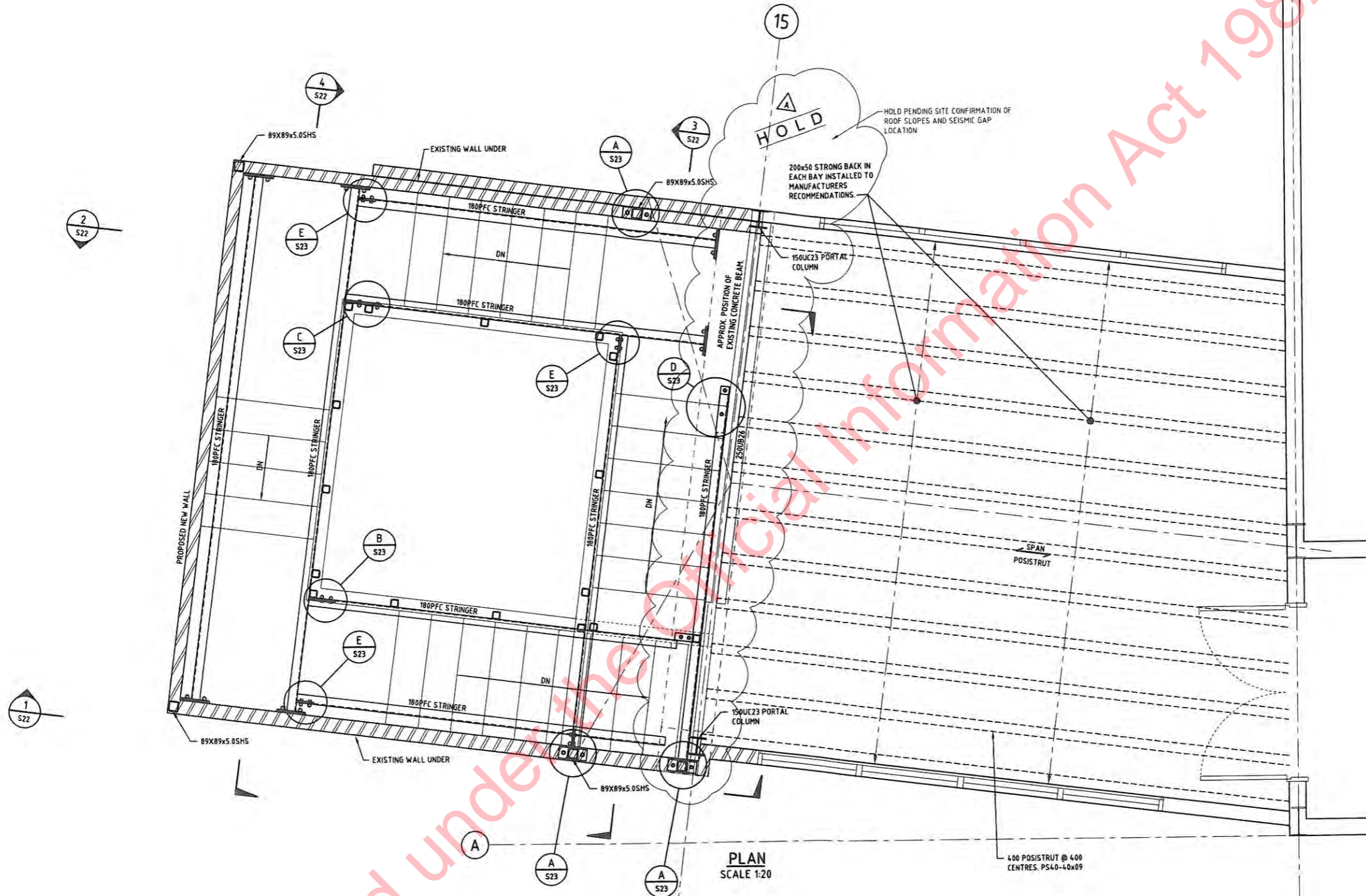
Client: WELLINGTON EAST GIRLS COLLEGE

Project: EXTENSION TO EAST WING BLOCK 7

Drawn	Signed	Date
CM	Signed	10-08-05
Designed	Signed	10-08-05
Verified	Signed	10-08-05
Approved	Signed	10-08-05

Drawing Title: BRIDGE SECTIONS & DETAILS SHEET 2

CW Project No.	7970 12
Scale	1:50 (@ A1) 1:100 (@ A3)
Drawing No.	S 14
Rev.	A



PLAN SCALE 1:20

WELLINGTON CITY COUNCIL
SERVICE REQUEST NO.

251672

APPROVED BUILDING
CONSENT DOCUMENTS

WELLINGTON CITY COUNCIL
BCLS
22 MAR 2012
RECEIVED
WAKEFIELD ST. WELLINGTON

CONSTRUCTION

Rev.	Date	Revision Details	By	Ver.	App.
A	29.11.05	ISSUE FOR CONSTRUCTION	TW		
3	05.09.05	RE-ISSUE FOR CONSENT/TENDER	TW		
2	10.08.05	FOR CONSENT/TENDER	TW		
1	05.08.05	PRELIMINARY	TW		

Connell Mott MacDonald
... building the future

Connell Wagner Limited
Lumley House, 3 Hunter Street (PO Box 1591)
Wellington, New Zealand
Telephone: +64 4 472 9589
Facsimile: +64 4 472 9922
Email: cww@connellmottmacdonald.com

A person using Connell Mott MacDonald drawings and other data accepts the risk of:
1. using the drawings and other data in electronic form without requesting and checking them for accuracy against the original hard copy versions;
2. using the drawings or other data for any purpose not agreed to in writing by Connell Mott MacDonald.

Client: WELLINGTON EAST GIRLS COLLEGE

Project: EXTENSION TO EAST WING BLOCK 7

Drawn	Signed	Date
CM		10-08-05
Designed	Signed	Date
TW		10-08-05
Verified	Signed	Date
CJM		10-08-05
Approved	Signed	Date
MM		10-08-05

Drawing Title: STAIR PLAN SHEET ONE

CW Project No.	7970 12
Scale	1:10 (@ A1) 1:20 (@ A3)
Drawing No.	S 20
Rev.	A

Released under the Official Information Act 1982