

PLAN
(ROOF FRAMING)
SCALE 1:20

WELLINGTON CITY COUNCIL
SERVICE REQUEST NO.
251672 #
APPROVED BUILDING
CONSENT DOCUMENTS

WELLINGTON CITY COUNCIL
BCLS
22 MAR 2012
RECEIVED
WAKEFIELD ST. WELLINGTON

CONSTRUCTION

Rev.	Date	Revision Details	By	Ver.	App.
A	29.11.05	ISSUE FOR CONSTRUCTION	TW		
3	05.09.05	RE-ISSUE FOR CONSENT/RENDER	TW		
2	10.08.05	FOR CONSENT/TENDER	TW		
1	05.08.05	PRELIMINARY	TW		

Connell Mott MacDonald
... building the future

Connell Wagner Limited
Lumley House, 3 Hunter Street (PO Box 1591)
Wellington New Zealand
Telephone: +64 4 472 9590
Facsimile: +64 4 472 9922
Email: cmw@connellmottmacdonald.com

A person using Connell Mott MacDonald drawings and other data accepts the risk of:
1. using the drawings and other data in electronic form without requesting and checking them for accuracy against the original hard copy versions.
2. using the drawings or other data for any purpose not agreed to in writing by Connell Mott MacDonald.

Client: WELLINGTON EAST GIRLS COLLEGE

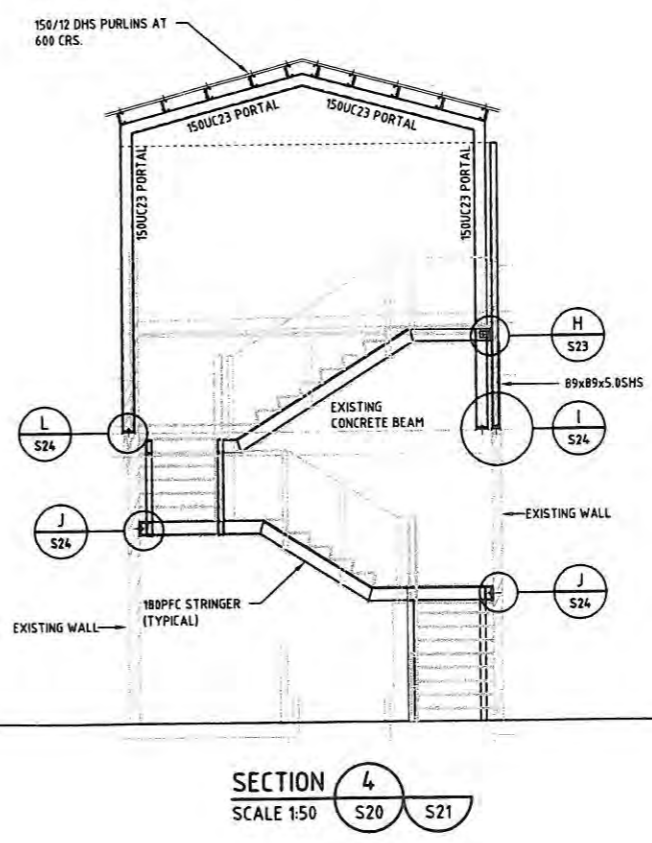
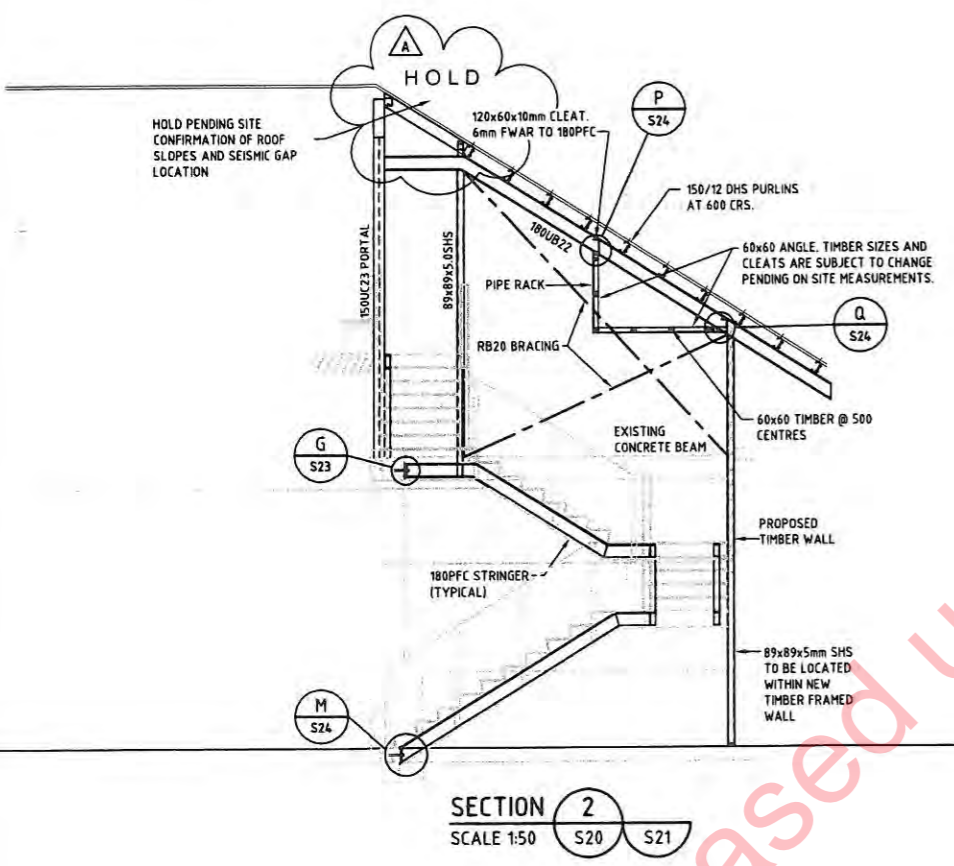
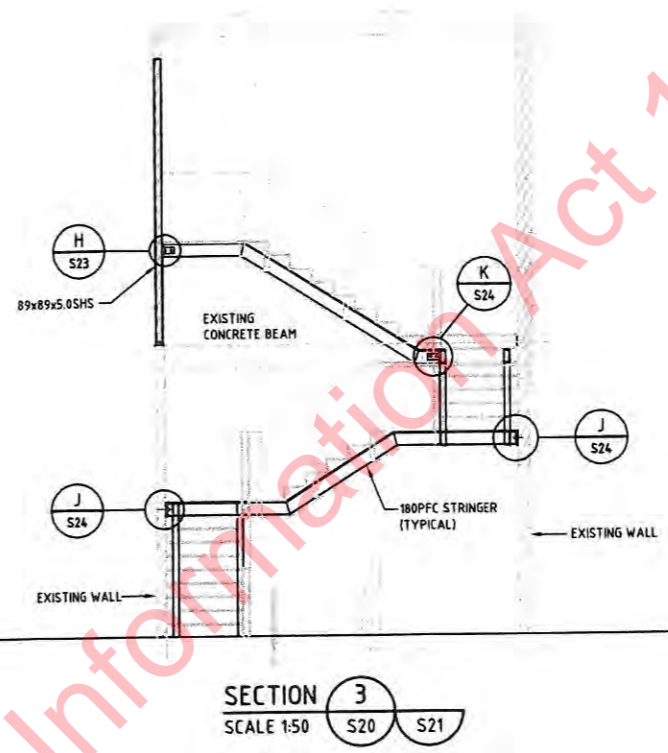
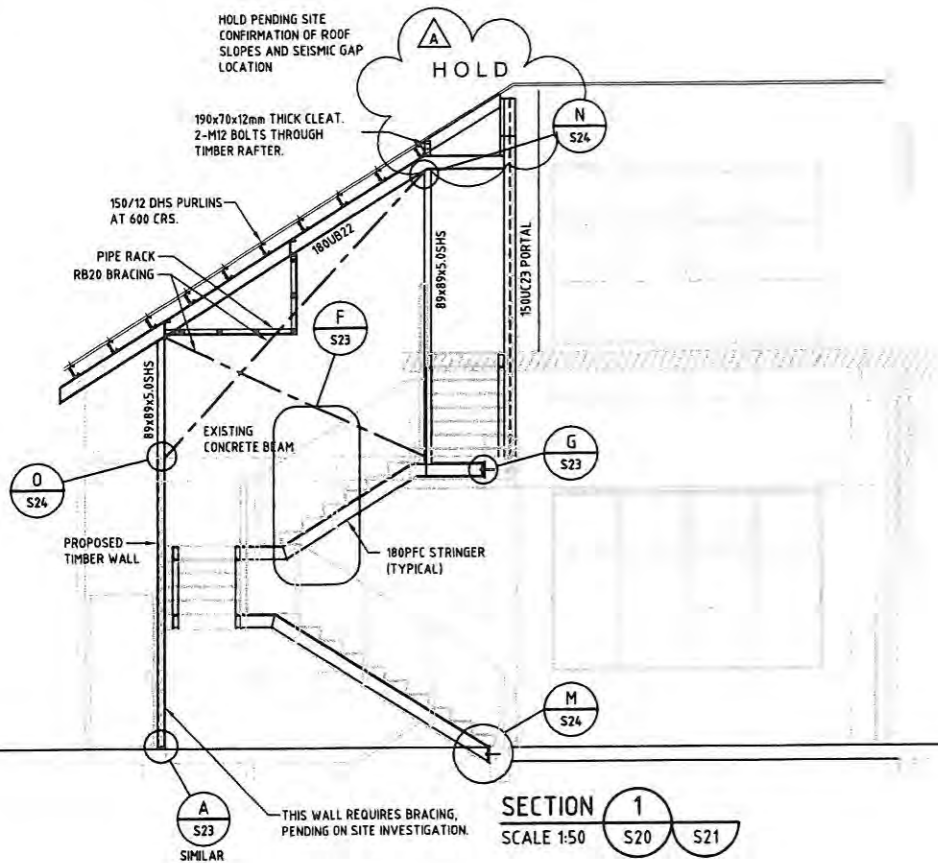
Project: EXTENSION TO EAST WING BLOCK 7

Drawn	Signed	Date
CM	Signed	10-08-05
Designed	Signed	Date
TW	Signed	10-08-05
Verified	Signed	Date
CJM	Signed	10-08-05
Approved	Signed	Date
MM	Signed	10-08-05

Drawing Title: STAIR ROOF FRAMING PLAN SHEET TWO

CW Project No.	7970 12
Scale	1:10 (@ A1) 1:20 (@ A3)
Drawing No.	S 21
Rev.	A

A1



WELLINGTON CITY COUNCIL
SERVICE REQUEST No.
251672 No
APPROVED BUILDING
CONSENT DOCUMENTS

WELLINGTON CITY COUNCIL
BCLS
22 MAR 2012
RECEIVED
WAKEFIELD ST. WELLINGTON

NOTES:
1). POSITION OF EXISTING WALLS AND CONCRETE BEAMS ARE APPROXIMATE ONLY AND HAVE BEEN TAKEN FROM ARCHITECTURAL AND OLD DRAWINGS. CONTRACTOR TO ACCURATELY MEASURE ON SITE PRIOR TO WORK COMMENCING.
2). REFER TO SHEET S26 FOR STAIRWAY DIMENSIONS AND DETAILS.

CONSTRUCTION

Rev.	Date	Revision Details	By	Ver.	App.
A	29.11.05	ISSUE FOR CONSTRUCTION	TW		
2	10.08.05	FOR CONSENT/TENDER	TW		
1	05.08.05	PRELIMINARY	TW		

Connell Mott MacDonald
...building the future

Connell Wagner Limited
Lumley House, 3 Hunter Street (PO Box 1591)
Wellington New Zealand
Telephone: +64 4 472 9589
Facsimile: +64 4 472 9922
Email: cmmw@connwag.com

A person using Connell Mott MacDonald drawings and other data accepts the risk of:
1. using the drawings and other data in electronic form without requesting and checking them for accuracy against the original hard copy versions;
2. using the drawings or other data for any purpose not agreed to in writing by Connell Mott MacDonald.

Client: WELLINGTON EAST GIRLS COLLEGE

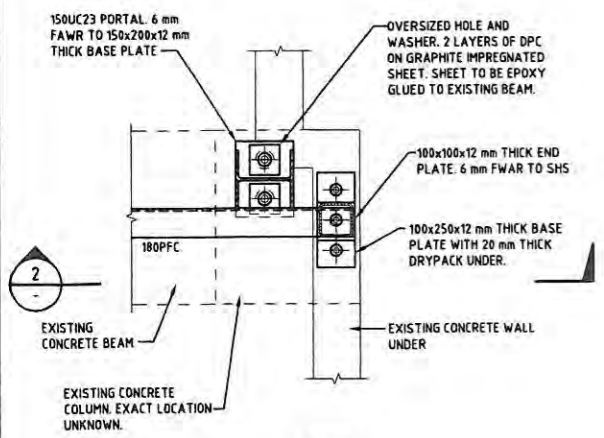
Project: EXTENSION TO EAST WING BLOCK 7

Drawn	Signed	Date
CM	Signed	10-08-05
Designed	Signed	Date
TW	Signed	10-08-05
Verified	Signed	Date
CJM	Signed	10-08-05
Approved	Signed	Date
MM	Signed	10-08-05

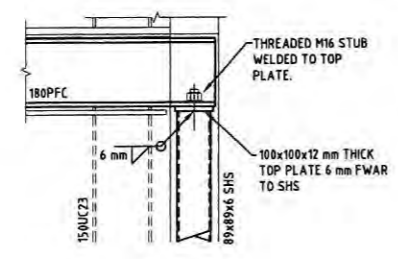
Drawing Title: STAIR CROSS SECTIONS SHEET THREE

CW Project No.	7970 12
Scale	1:50 (@ A1) 1:100 (@ A3)
Drawing No.	S 22
Rev.	A

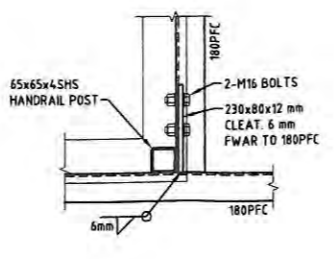
A1



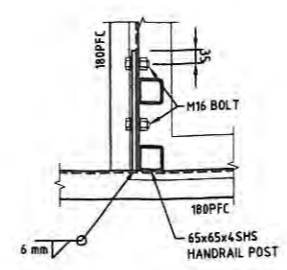
DETAIL A
SCALE 1:10 S20



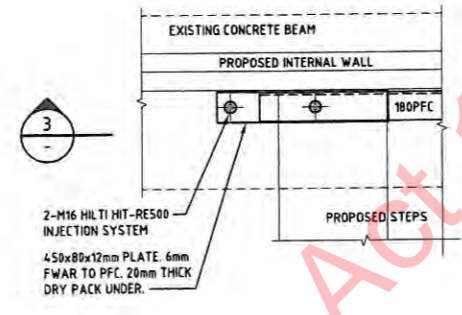
SECTION 2
SCALE 1:10



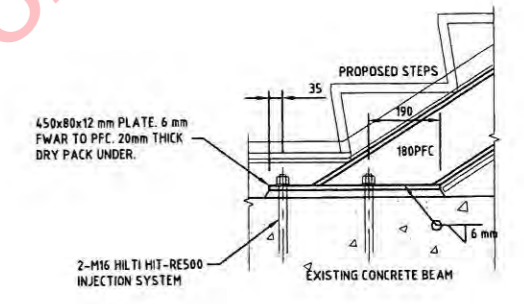
DETAIL B
SCALE 1:10 S20



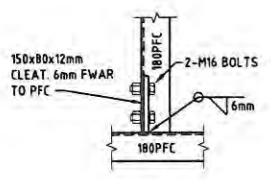
DETAIL C
SCALE 1:10 S20



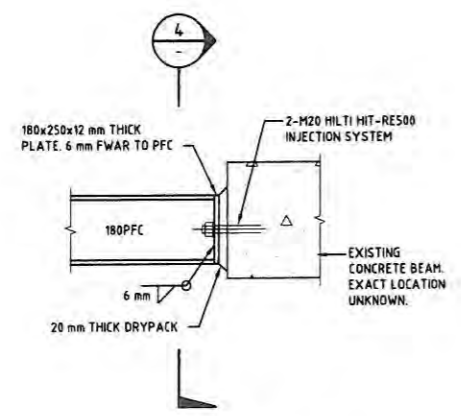
DETAIL D
SCALE 1:10 S20



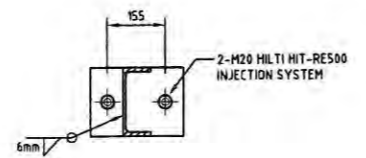
SECTION 3
SCALE 1:10



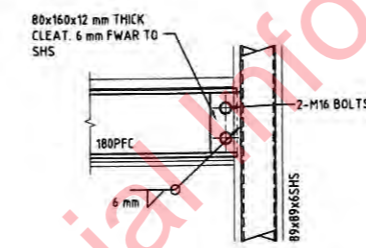
DETAIL E
SCALE 1:10 S20



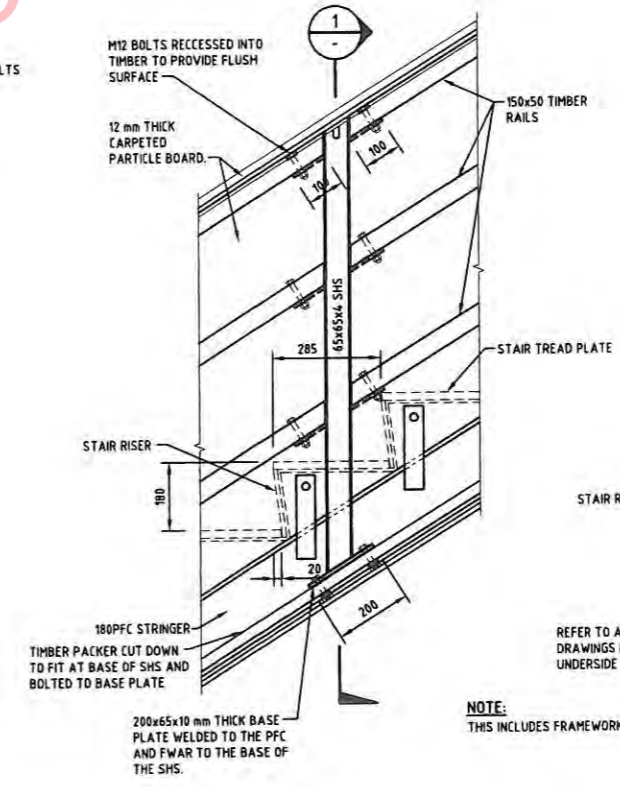
DETAIL G
SCALE 1:10 S22



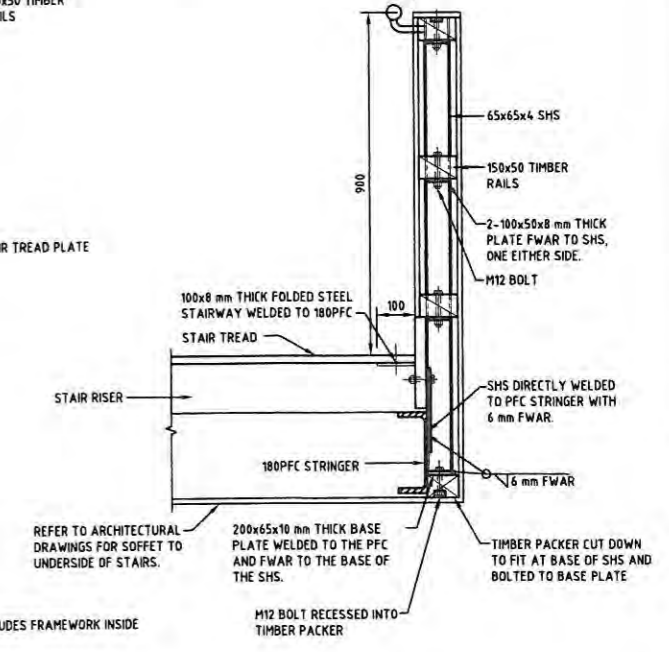
SECTION 4
SCALE 1:10 S24



DETAIL H
SCALE 1:10 S22



DETAIL F
SCALE 1:10 S22



SECTION 1
SCALE 1:10

WELLINGTON CITY COUNCIL
SERVICE REQUEST NO.

251672

APPROVED BUILDING
CONSENT DOCUMENTS

NOTE:
THIS INCLUDES FRAMEWORK INSIDE

WELLINGTON CITY COUNCIL
BCLS
22 MAR 2012
RECEIVED
WAKEFIELD ST. WELLINGTON
CONSTRUCTION

Rev.	Date	Revision Details	By	Ver.	App.
A	29.11.05	ISSUE FOR CONSTRUCTION	TW		
2	10.08.05	FOR CONSENT/TENDER	TW		
1	05.08.05	PRELIMINARY	TW		

Connell Mott MacDonald
... building the future

Connell Wagner Limited
Lumley House, 3 Hunter Street (PO Box 1591)
Wellington New Zealand
Telephone: +64 4 472 9589
Facsimile: +64 4 472 9922
Email: cwmot@connm.com

A person using Connell Mott MacDonald drawings and other data accepts the risk of:
1. using the drawings and other data in electronic form without requesting and checking them for accuracy against the original hard copy versions;
2. using the drawings in other data for any purpose not agreed to in writing by Connell Mott MacDonald.

Client: WELLINGTON EAST GIRLS COLLEGE

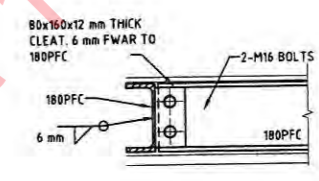
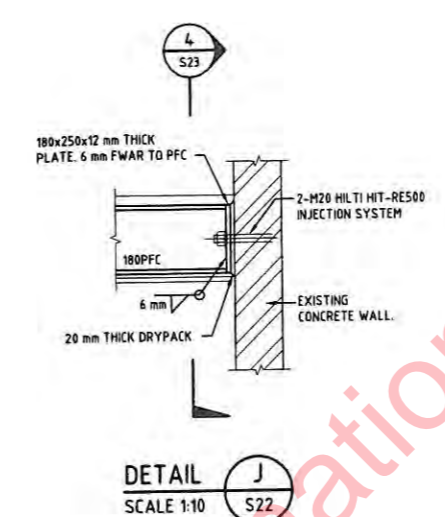
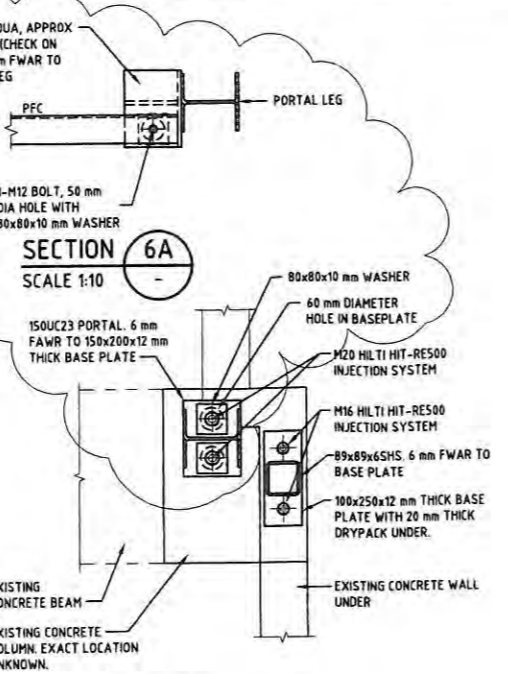
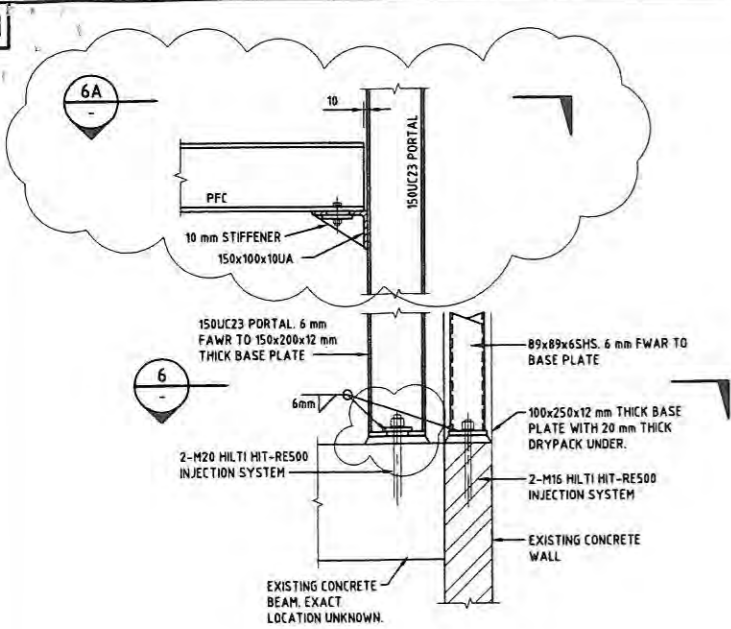
Project: EXTENSION TO EAST WING BLOCK 7

Drawn	Signed	Date
CM	Signed	10-08-05
Designed	Signed	Date
TW	Signed	10-08-05
Verified	Signed	Date
CJM	Signed	10-08-05
Approved	Signed	Date
MM	Signed	10-08-05

Drawing Title: SECTIONS & DETAILS SHEET ONE

CW Project No.	Scale	Drawing No.	Rev.
7970 12	1:50 (@ A1) 1:100 (@ A3)	S 23	A

Released under the Official Information Act 1982

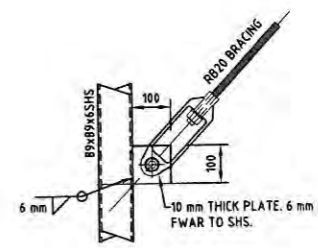
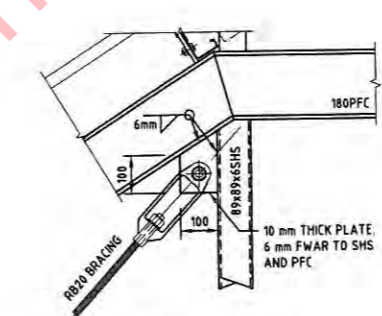
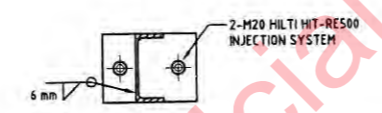
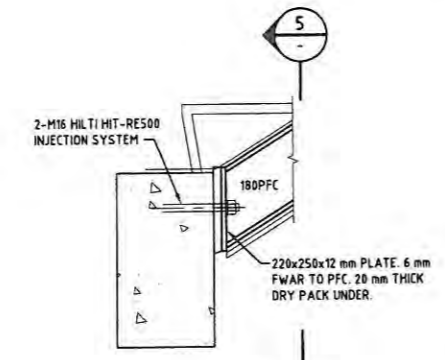
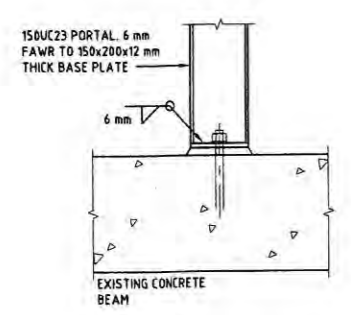


DETAIL I
SCALE 1:10
S22

SECTION 6
SCALE 1:10
S22

DETAIL J
SCALE 1:10
S22

DETAIL K
SCALE 1:10
S22



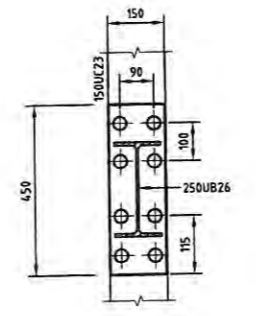
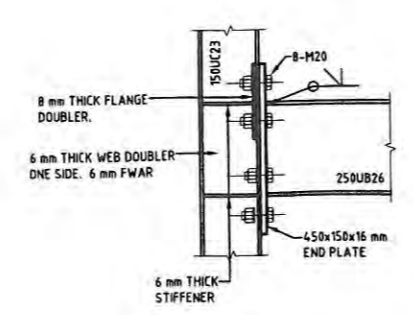
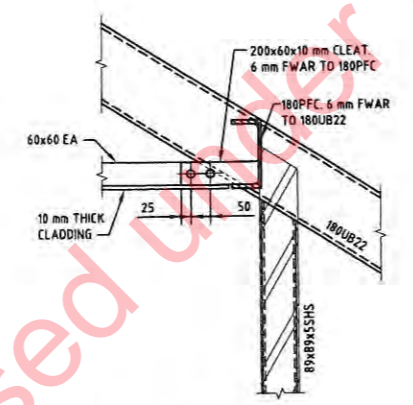
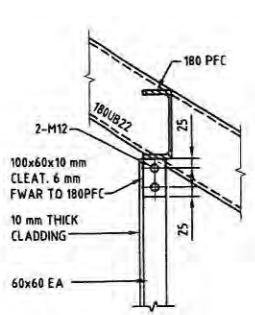
DETAIL L
SCALE 1:10
S22

DETAIL M
SCALE 1:10
S22

SECTION 5
SCALE 1:10
S22

DETAIL N
SCALE 1:10
S22

DETAIL O
SCALE 1:10
S22



DETAIL P
SCALE 1:10
S22

DETAIL Q
SCALE 1:10
S22

SECTION 7
SCALE 1:10
S21

WELLINGTON CITY COUNCIL
SERVICE REQUEST NO.
251672
APPROVED BUILDING
CONSENT DOCUMENTS

WELLINGTON CITY COUNCIL
BCLS
22 MAR 2012
RECEIVED
WAKEFIELD ST. WELLINGTON

CONSTRUCTION

Rev.	Date	Revision Details	By	Ver.	App.
A	29.11.05	ISSUE FOR CONSTRUCTION	TW		
3	05.09.05	RE-ISSUE FOR CONSENT/TENDER	TW		
2	10.08.05	FOR CONSENT/TENDER	TW		
1	05.08.05	PRELIMINARY	TW		

Connell Mott MacDonald
...building the future

Connell Wagner Limited
Lumley House, 3 Hunter Street (PO Box 1591)
Wellington New Zealand
Telephone: +64 4 472 8589
Facsimile: +64 4 472 8822
Email: cw@connmott.com

A person using Connell Mott MacDonald drawings and other data accepts the risk of:
1. using the drawings and other data in electronic form without requesting and checking them for accuracy against the original hard copy versions.
2. using the drawings or other data for any purpose not agreed to in writing by Connell Mott MacDonald.

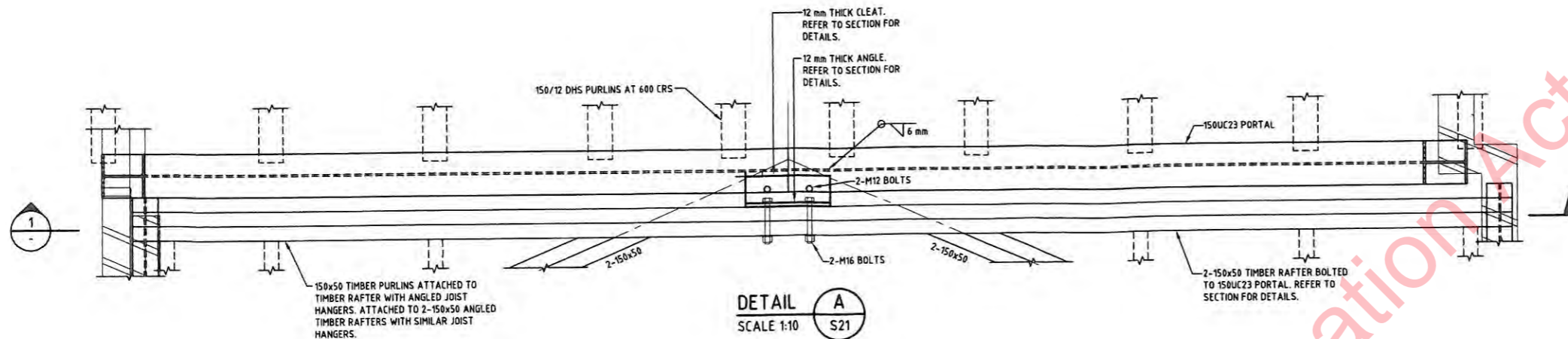
Client:
WELLINGTON EAST GIRLS COLLEGE

Project:
EXTENSION TO EAST WING BLOCK 7

Drawn	Signed	Date
CM	Signed	10-08-05
Designed	Signed	Date
TW	Signed	10-08-05
Verified	Signed	Date
CJM	Signed	10-08-05
Approved	Signed	Date
MM	Signed	10-08-05

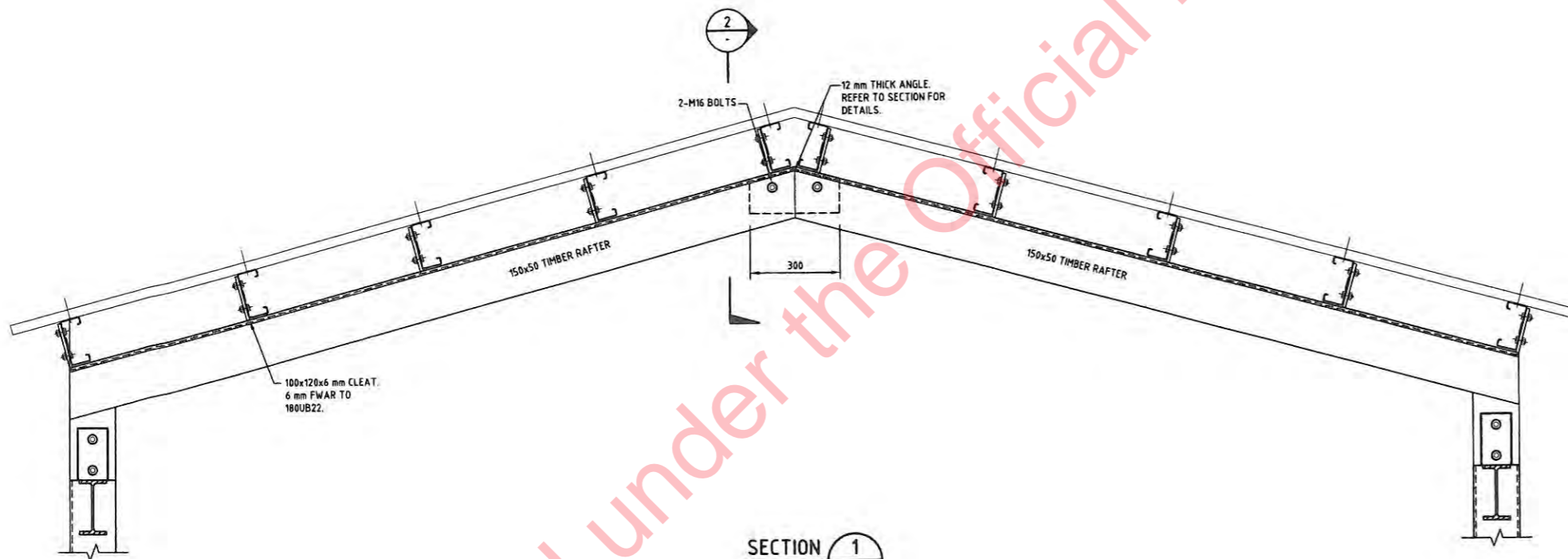
Drawing Title:
SECTIONS & DETAILS SHEET TWO

CW Project No.	
7970 12	
Scale	
1:10 (@ A1) 1:20 (@ A3)	
Drawing No.	Rev.
S 24	A

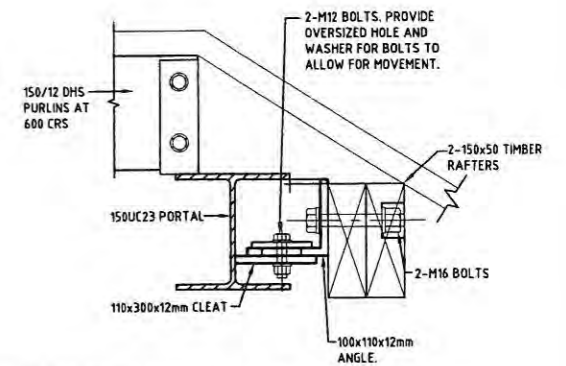


DETAIL A
SCALE 1:10

WELLINGTON CITY COUNCIL
BCLS
22 MAR 2012
RECEIVED
WAKEFIELD ST. WELLINGTON



SECTION 1
SCALE 1:10



SECTION 2
SCALE 1:5

251672

APPROVED BUILDING
CONSENT DOCUMENTS

CONSTRUCTION

Rev.	Date	Revision Details	By	Ver.	App.
A	29.11.05	ISSUE FOR CONSTRUCTION	TW		
3	05.09.05	RE-ISSUE FOR CONSENT/TENDER	TW		
2	10.08.05	FOR CONSENT/TENDER	TW		
1	05.08.05	PRELIMINARY	TW		

Connell Mott MacDonald
... building the future

Connell Wagner Limited
Lumley House, 3 Hunter Street (PO Box 1591)
Wellington New Zealand
Telephone: +64 4 472 9599
Facsimile: +64 4 472 9522
Email: cwwel@connwag.com

A person using Connell Wagner drawings and other data accepts the risk of:
1. using the drawings and other data in electronic form without requesting and checking them for accuracy against the original hard copy versions;
2. using the drawings or other data for any purpose not agreed to in writing by Connell Wagner.

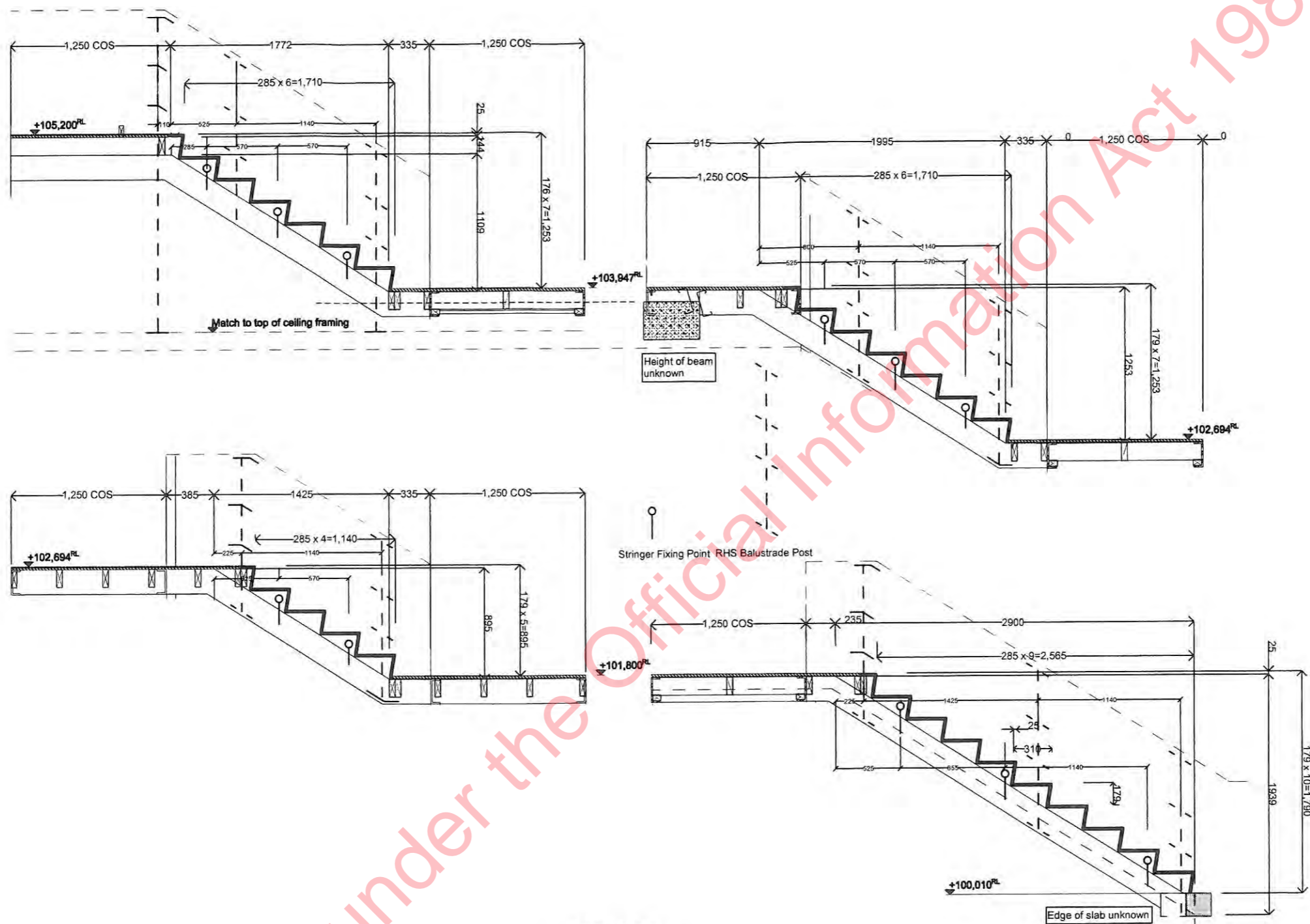
Client: WELLINGTON EAST GIRLS COLLEGE

Project: EXTENSION TO EAST WING BLOCK 7

Drawn	Signed	Date
CM	Signed	10-08-05
Designed	Signed	Date
TW	Signed	10-08-05
Verified	Signed	Date
CJM	Signed	10-08-05
Approved	Signed	Date
MM	Signed	10-08-05

Drawing Title: RAFTER DETAILS

CW Project No.
7970 12
Scale
1:10 (@ A1) 1:20 (@ A3)
Drawing No.
S 25
Rev.
A



STAIRCASE
SCALE 1:20

W.C.C.
RECORDS

WELLINGTON CITY COUNCIL
BCLS
22 MAR 2012
RECEIVED
WAKEFIELD ST. WELLINGTON

WELLINGTON CITY COUNCIL
SERVICE REQUEST NO.

251672

APPROVED BUILDING
CONSENT DOCUMENTS

CONSTRUCTION

Rev.	Date	Revision Details	By	Ver.	App.
A	29.11.05	ISSUE FOR CONSTRUCTION	TW		
2	10/08/05	FOR CONSENT/TENDER	TW		

Connell Mott MacDonald
...building the future

Connell Wagner Limited
Lumley House, 3 Hunter Street (PO Box 1591)
Wellington New Zealand
Telephone: +64 4 472 9589
Facsimile: +64 4 472 9922
Email: cwmw@connwag.com

A person using Connell Wagner drawings and other data accepts the risk of:
1. using the drawings and other data in electronic form without requesting and checking them for accuracy against the original hard copy versions.
2. using the drawings or other data for any purpose not agreed to in writing by Connell Wagner.

Client:
**WELLINGTON EAST
GIRLS COLLEGE**

Project:
**EXTENSION TO
EAST WING BLOCK 7**

Drawn	Signed	Date
CM	Signed	10-08-05
Designed	Signed	Date
TW	Signed	10-08-05
Verified	Signed	Date
CJM	Signed	10-08-05
Approved	Signed	Date
MM	Signed	10-08-05

Drawing Title:
STAIRCASE LAYOUT

CW Project No.
7970 12
Scale
1:20 (@ A1)
1:40 (@ A3)
Drawing No. S 26
Rev. A

Released under the Official Information Act 1982



Wellington East Girls College: Source (LINZ Data Service)

Released under the Official Information Act 1982