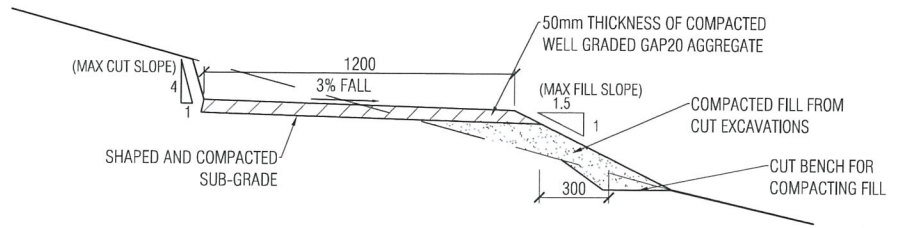


01
SHT -

TYPICAL MONOSLOPE CUT / FILL FORMATION

1:20 @ A3

(USE ON CROSSFALL LESS THAN 50%)

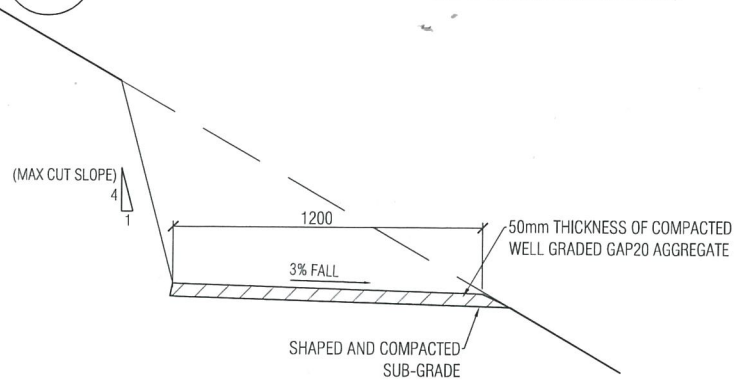


02
SHT -

TYPICAL MONOSLOPE FULL CUT FORMATION

1:20 @ A3

(USE ON CROSSFALL GREATER THAN 50%)

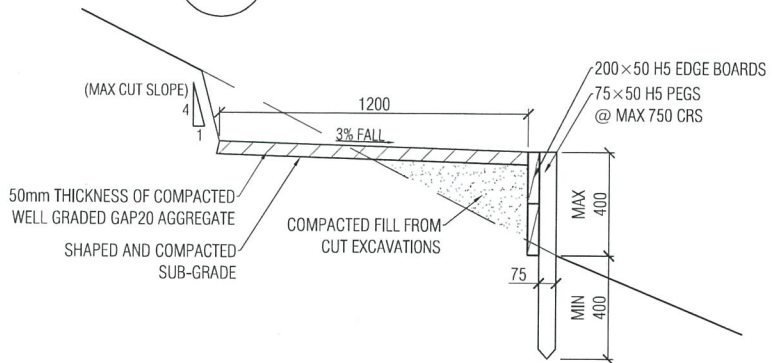


03
SHT -

EDGEBOARD FORMATION

1:20 @ A3

(USE WHERE SPECIFIED)



DO NOT SCALE



Frame Group Limited

PO BOX 147211, PONSONBY, AUCKLAND 1144
LEVEL 2, 16 COLLEGE HILL, AUCKLAND, NZ
PHONE: 09 638 7221 FAX: 09 376 0513
© FRAME GROUP LTD, 2016

PREPARED FOR

Absolutely Positively
Wellington City Council
Mo Kāi ki Pouke